

Operating instructions

DIGICLOCK 3

Radio alarm clock with LED display and projector



TechniSat

1 Safety instructions

1.1 Foreword

Dear customers,

Thank you for choosing a TechniSat radio alarm clock.

These operating instructions are intended to help you familiarise yourself with the functions of your new device and use them optimally. It will help you to use the radio alarm clock safely and in accordance with its intended use. It is intended for anyone who installs, operates, cleans or disposes of the appliance.

Keep the operating instructions in a safe place for future reference.

TechniSat team

1.2 Symbols and symbols used

In this manual:



Indicates a safety instruction, failure to follow which may cause serious injury or death. Observe the following signal words:

DANGER - Serious injury resulting in death.

WARNING - Severe personal injury that could lead to death.

NOTE - Injuries.



It indicates the note to be observed in order to avoid device malfunctions, data loss/misuse or unintended operation. It also describes further functions of the device.



Warning against electrical voltage. Observe all safety instructions to avoid electric shock. Never open the appliance.

On the device:



Indoor use - appliances marked with this symbol are suitable for indoor use only.



Your device is CE marked and meets all required EU standards.



This appliance has been designed and manufactured using high-quality materials and components that are recyclable. The symbol of the crossed-out wheeled bin indicates that the product is subject to separate collection in accordance with the European Parliament Directive and Council 2012/19/EU and in accordance with Directive 2006/66/EC of the European Parliament and of the Council and informs that electrical and electronic equipment and batteries and accumulators, after their useful life, must not be disposed of with the

other household waste. The user is obliged to hand it over to a collector of waste electrical and electronic equipment as well as batteries and accumulators setting up a system for the collection of such waste, including to an appropriate shop, local collection point or municipal unit. Waste equipment can have a harmful impact on the environment and human health due to its potential content of hazardous substances, mixtures and components. The household plays an important role in contributing to the reuse and recovery, including recycling, of waste equipment. At this stage, attitudes are formed that influence the preservation of the common good, which is a clean environment. Households are also one of the largest users of small equipment and rational management of this equipment affects the recovery of secondary raw materials. In the event of improper disposal of this product, penalties may be imposed in accordance with national legislation. At the end of the product's life cycle, it should not be disposed of in the rubbish from normal household waste but to the collection point for waste electrical and electronic equipment. This is indicated by the symbol on the product, user manual or packaging. Materials are recyclable according to the label. By reusing, recycling or otherwise recycling your old equipment, you are making an important contribution to environmental protection.

1.3 Purpose

The TechniSat DIGICLOCK 3 is designed to receive FM radio broadcasts. The device is intended for private use and is not suitable for commercial purposes.

1.4 Safe handling

Observe the following instructions to minimise safety risks, avoid damage to the equipment and contribute to environmental protection.

Read all safety instructions carefully and keep them for future reference. Always observe all warnings and instructions in this manual and on the back of the appliance.



DANGER!

Never open the appliance!
Touching live components is life-threatening!



WARNING!

Danger of suffocation! Do not leave packaging and its parts in the care of children. Danger of suffocation from foil and other packaging materials!



To ensure the correct use of the appliance and to avoid damage to the appliance and personal injury, all the following instructions must be followed.

- Do not repair the appliance yourself. Repairs should only be carried out by trained professionals. Contact

our customer service centres.

- The device must only be operated under the environmental conditions specified for it.
- Do not expose the appliance to dripping or splashing water. If water enters the appliance, switch it off and notify the service department.
- Do not expose the unit to heat sources that heat up the unit in addition to normal use.
- In the event of a noticeable defect in the appliance, odour or smoke, significant faults or damage to the housing, contact the service centre immediately.
- The device may only be operated at the specified mains voltage. Never attempt to operate the unit at any other voltage.
- If the unit is damaged, it must not be operated.
- Do not use the unit near bathtubs, showers, swimming pools or flowing/splashing water. There is a risk of electric shock and/or damage to the equipment.
- Foreign objects, e.g. needles, coins, etc. must not fall into the device. Do not touch the connection contacts with metal objects or fingers. This may cause a short circuit.
- The appliance is not intended for use by persons (including children) with reduced physical, sensory or mental capabilities, or lack of experience and/or knowledge, unless they have received supervision or instruction on the use of the appliance from a person responsible for their safety.
- It is forbidden to make changes to the device.
- Never look directly or with optical instruments into the light beam of the projector. Risk of damage to your eyesight!

1.4.1 Legal guidelines



TechniSat hereby declares that the radio device type DIGICLOCK 3 (76- 4903-00) complies with Directive 2014/53/EU and RoHS. The full text of the EU Declaration of Conformity is available at the following web address:

<https://konf.tsat.de/?ID=22886>










TechniSat is not responsible for damage to the product caused by external influences, wear and tear or improper handling, unauthorised repairs, modifications or accidents.



Subject to changes and printing errors. Copying and reproduction

only with permission of the publisher. The latest version of the manual is available in PDF format in the download area on the TechniSat homepage at www.technisat.pl.

1.4.2 Service information

-  This product is quality tested and comes with a statutory warranty period of 24 months from the date of purchase. Please keep your invoice receipt as proof of purchase. In the event of warranty claims, the cost of postage directly to the manufacturer will be paid by the customer.
-  For questions and information or if you have a problem with this device, our technical hotline is available: Monday. - to Friday, from 8:00 a.m. to 4:00 p.m. on telephone number: +71 310 41 48.
-  The guarantor, within the scope of the granted guarantee, undertakes to remove at its own expense any defects in the product. The removal of defects will take place by replacing the defective product with a new, defect-free one or by repairing it.
-  In order to make use of the guarantee, the purchaser is obliged to report the defectiveness of the product at the point of sale where the product was purchased and to deliver the defective product there. The product should be delivered complete.
-  The warranty does not cover product defects caused by the purchaser or resulting from:
- use or install the product in a manner inconsistent with the instructions for use,
 - improper storage or maintenance of the appliance,
 - repairs or modifications to the product carried out by unauthorised persons,
 - ingress of liquids or foreign bodies,
 - lightning strikes and power line surges
-  The provisions of the guarantee do not exclude, limit or suspend the rights of purchasers (consumers) under generally applicable law (warranty).
-  To obtain detailed information on a Product, including the rules and procedures for the guarantee procedure, the assignment of an RMA number, it is possible to
- by telephone 71 310 41 48 or email serwis@technisat.com , on working days, 8 a.m. to 4 p.m. **Service requests ON-LINE via www.serwis.technisat.com.**

2 Description of the device

2.1 Contents of the device

Please check that the following are included: 1x
TechniSat DIGICLOCK 3
1x User manual

2.2 Special features

The radio has the following special features:

- FM radio reception.
- UKW reception range 87.5-108 MHz (analogue).
- LED display.
- RMS audio power 0.5W.
- Programme memory of 10 for FM stations.
- LED projector with FLIP function

2.3 Preparing the device for operation

2.3.1 Setting up a wire antenna

The number and quality of stations received depends on the reception conditions at the installation site. Excellent reception can be achieved with a wire antenna.

> Position the wire antenna lengthways.



Accurate positioning of the wire antenna is often important, especially in peripheral FM reception areas.



Start your first search at the window towards the transmitter mast. In bad weather reception may be limited.



Do not touch the wire antenna during station playback. This may lead to reception interference and sound fading.

2.3.2 Connection to power supply



WARNING!

Do not touch the plug with wet hands, risk of electric shock!



NOTE!

Arrange the network cable so that no one trips over it.

> Plug the mains plug of the DIGICLOCK 3 into a mains socket (AC 230V ~ 50Hz).

> Before connecting the appliance to a wall socket, ensure that the operating voltage of the appliance corresponds to the local mains voltage.



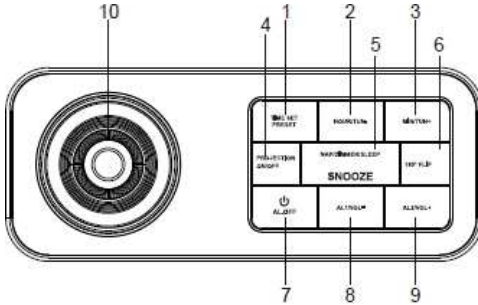
Pull the plug out of the socket when not in use. Pull the plug, not the cable. Unplug the device before a storm. Unplug the appliance if it is not going to be used for a long time, e.g. before embarking on a long journey. The heat generated during operation must be dissipated by adequate air circulation. Therefore, do not cover the appliance

nor place it in a closed cabinet. Ensure a clear space of at least 10 cm around the appliance.



The radio alarm clock is powered by alternating current. Use two AAA-size batteries to keep accurate time during mains power failure. Insert the batteries, matching the polarity markings (+/-) in the battery compartment. Replace all batteries with new ones at the same time. Remove all batteries when the device will not be used for a long period of time.

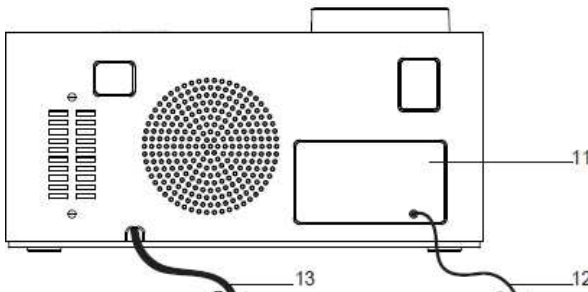
2.4 Device functions



1. TIME SET PRESET
2. HOUR/TUN-
3. MIN/TUN+
4. PROJECTION ON/OFF
5. NAP/DIMMER/SLEEP P/SNOOZE
6. 180 FLIP
7. AL OFF
8. AL1/VOL-
9. AL2/VOL+
10. Focus wheel
11. Battery cover
12. Antenna cable
13. Power cable



- A. Alarm 1 Buzzer
- B. Alarm 1 Radio
- C. NAP (Timer)
- D. SLEEP
- E. Alarm 2 Buzzer
- F. Alarm 2 Radio



2.4.1 Setting the correct time

- > To set the correct time, switch off the unit by pressing the **AL.OFF (2)**.
- > Then press the **TIME SET PRESET** button **(1)** for longer.
- > To set the time, press the **HOUR / TUN-** button **(2)**.
- > To set the minutes, please use the **MIN / TUN+** button **(3)**.
- > To confirm the set time, press the **TIME SET PRESET** button **(1)**.

2.4.2 Automatic tuning

- > Switch the radio alarm clock on using the **AL.OFF** button **(2)**.
- > To start the automatic station search, press the **HOUR / TUN- (2)** or **MIN / TUN+ (3)** button longer.
- > The radio alarm clock will start automatically searching the band, which will stop at the first station found.

2.4.3 Manual radio tuning

- > To set the correct reception frequency, please use the **HOUR / TUN- (2)** and **MIN / TUN+ (3)** buttons. Each time they are pressed, the frequency is changed by 0.1 MHz.

2.4.4 Save stations to favourites

- > To save a station to the favourites list, press the **TIME SET PRESET** button **(1)** longer.
- > The programme number will blink on the screen. Using the **HOUR / TUN- (2)** or **MIN / TUN+ (3)** buttons, set the desired number and save the programme by confirming with **TIME SET PRESET (1)**

2.4.5 Calling a programme from the radio programme list

- > Press the **TIME SET PRESET** button **(1)**.
- > Each successive press changes the number of the favourite programme one position upwards.

2.4.6 Alarm setting

- > To set the alarm, switch off the radio alarm clock by pressing the button **AL.OFF (2)**.
- > After switching off the device, please press **AL.1 / VOL- (8)** or **AL.2 / VOL+ (9)**. The time setting will flash on the display.
- > You can choose whether you want the device to operate in mode during the alarm: Radio or Buzzer. The LED with the bell symbol is the option with buzzer. The LED with the note symbol is the option with radio. Press **AL.1 / VOL-** button **(8)** or **AL.2 /VOL+ (9)** to select the desired mode.

- > If you have already selected the alarm mode you can now set the alarm time. Press **HOUR / TUN- (2)** to set and **MIN / TUN+ (3)** to set the minutes.
- > Press **AL.1 / VOL- (8)** or **AL.2 / VOL+ (9)** depending on whether you have set Alarm number 1 or Alarm number 2 to save the alarm time.

2.4.7 Alarm activation and deactivation

- > When the radio alarm clock is switched off, you can choose whether to operate the device in mode during the alarm: Radio or Buzzer. The LED with the bell symbol is the option with the buzzer. The LED with the note symbol is the option with radio. Press **AL.1 / VOL- (8)** or **AL.2 / VOL+ (9)** to select the desired mode.
- > To cancel the alarm, press **AL.1 / VOL- (8)** or **AL.2 / VOL+ (9)** until the red indicator next to the bell and note symbol disappears.
- > When the alarm is activated, in order to deactivate it, press the button **AL.OFF (2)**.

2.4.8 Snooze function

- > During the alarm, pressing the **NAP/DIMMER/SLEEP/SNOOZE** button **(5)** will switch off for 10 min. During the snooze period, the LED located next to the bell and note symbol blinks.
- > After 10 minutes, the alarm will sound again.
- > To switch off the alarm completely, press the **AL.OFF** button **(2)**, the LED symbolising the alarm type will stop blinking.
- > The alarm will sound again the next day at a set time.

EN

2.4.9 Setting the switch-off timer

- > The switch-off timer is set when the radio alarm clock is switched on.
- > By pressing the **NAP/DIMMER/SLEEP/SNOOZE** button **(5)**, you have the option of changing the time after which the unit automatically switches off.
- > The following settings are available **10, 20, 30, 40, 50, 60, 70, 80, 90 min** and **OFF (timer off)**.
- > When the switch-off timer is activated, a red LED on the radio screen will light up to indicate the timer.

2.4.10 Changing the volume

- > While listening to the radio, please press **AL.1 / VOL- (8)** to decrease the volume.
- > While listening to the radio, please press **AL.2 / VOL+ (9)** to increase the volume.

2.4.11 Changing the intensity of the LED display backlight

Two screen brightness settings are available.

- > To change the brightness, press and hold the **NAP/DIMMER/SLEEP/SNOOZE** button **(5)**.
- > Pressing the **NAP/DIMMER/SLEEP/SNOOZE** button again for a longer time **(5)** will return to the previous LED intensity.

2.4.12 Time projection

- > To activate the time projection, please press the **PROJECTION ON/ OFF** button **(4)**. The time will be projected and will be visible on the ceiling.
 - > To adjust the focus of the displayed time, please adjust accordingly **Focus knob (10)**.
- > Pressing the **PROJECTION ON/OFF** button **(4)** again will switch off the screen projection.

2.4.13 FLIP function

- > To reverse the time displayed on the ceiling by 180° during projection, please press the **180 FLIP** button **(6)**.

3 Specification

Frequency range: FM 87.5-108 MHz

Power source: AC 230V ~ 50 Hz, 5W

LED display: 1,2"

Device dimensions: 155x63x79mm

Batteries: 2x AAA for memory backup*

Output power: 0.5W

Favourite stations list: 10 positions

Time projection function: YES FLIP

function: Yes

Projector light source: LED

NOTE: Battery power is only used to maintain the unit's memory in the event of a power failure (e.g. time memory). Batteries not included.

4 Manufacturer

TechniSat Digital Sp. z o.o.

ul. Poznańska 2,

Siemianice 55-120 Oborniki

Śląskie

Customer Service Office

tel: +48 71 310 41 41, e-mail: biuro@technisat.com

Open Monday to Friday from: 8:00-16:00

Betriebsanleitung

DIGICLOCK 3

Radiowecker mit LED-Anzeige und Projektor



TechniSat

1 Sicherheitshinweise

1.1 Vorwort

Sehr geehrte Kunden,

Vielen Dank, dass Sie sich für einen TechniSat Radiowecker entschieden haben. Diese Bedienungsanleitung soll Ihnen helfen, sich mit den Funktionen Ihres neuen Gerätes vertraut zu machen und diese optimal zu nutzen. Sie soll Ihnen helfen, den Funkwecker sicher und bestimmungsgemäß zu nutzen. Sie r i c h t e t sich an alle, die das Gerät aufstellen, bedienen, reinigen oder entsorgen. Bewahren Sie die Bedienungsanleitung zum späteren Nachschlagen auf.

TechniSat-Team

1.2 Verwendete Symbole und Zeichen

In diesem Handbuch:



Weist auf einen Sicherheitshinweis hin, dessen Nichtbeachtung zu schwere Verletzungen oder Tod verursachen. Beachten Sie die folgenden Signalwörter:

GEFAHR - Schwere Verletzungen mit Todesfolge.

WARNUNG - Schwere Personenschäden, die zum Tod führen können.

ANMERKUNG - Verletzungen.



Es weist auf die zu beachtenden Vorsichtsmaßnahmen hin, um Gerätefehlfunktionen, Datenverlust/Missbrauch oder unbeabsichtigte Bedienung zu vermeiden. Außerdem werden weitere Funktionen des Geräts beschrieben.



Warnung vor elektrischer Spannung. Beachten Sie alle Sicherheitshinweise, um einen elektrischen Schlag zu vermeiden. Öffnen Sie niemals das Gerät.

Auf dem Gerät:



Verwendung in Innenräumen - Geräte, die mit diesem Symbol gekennzeichnet sind, sind nur für die Verwendung in Innenräumen geeignet.



Ihr Gerät ist CE-gekennzeichnet und erfüllt alle erforderlichen EU-Normen.



Dieses Gerät wurde unter Verwendung hochwertiger Materialien und Komponenten entwickelt und hergestellt, die recycelbar sind. Das Symbol der durchgestrichenen Mülltonne auf Rädern zeigt an, dass das Produkt gemäß der Richtlinie des Europäischen Parlaments einer getrennten Sammlung unterliegt und des Rates 2012/19/EU und in Übereinstimmung mit der Richtlinie 2006/66/EG des Europäischen Parlaments und des Rates und informiert, dass Elektro- und Elektronikgeräte sowie Batterien und Akkumulatoren nach Ablauf ihrer Nutzungsdauer nicht mit dem

andere Haushaltsabfälle. Der Nutzer ist verpflichtet, sie einem Sammler von Elektro- und Elektronik-Altgeräten sowie von Batterien und Akkumulatoren zu übergeben, der ein System zur Sammlung solcher Abfälle einrichtet, einschließlich eines geeigneten Geschäfts, einer örtlichen Sammelstelle oder einer kommunalen Einrichtung. Altgeräte können aufgrund ihres potenziellen Gehalts an gefährlichen Stoffen, Gemischen und Komponenten schädliche Auswirkungen auf die Umwelt und die menschliche Gesundheit haben. Der Haushalt spielt eine wichtige Rolle, wenn es darum geht, zur Wiederverwendung und Verwertung, einschließlich des Recyclings, von Altgeräten beizutragen. In dieser Phase bilden sich Einstellungen, die sich auf die Erhaltung des Gemeinwohls, d. h. einer sauberen Umwelt, auswirken. Die Haushalte sind auch einer der größten Nutzer von Kleingeräten, und ein rationeller Umgang mit diesen Geräten beeinflusst die Rückgewinnung von Sekundärrohstoffen. Im Falle einer unsachgemäßen Entsorgung dieses Produkts können gemäß der nationalen Gesetzgebung Strafen verhängt werden. Am Ende des Lebenszyklus des Produkts sollte es nicht in der nicht in den normalen Hausmüll, sondern in die Sammelstelle für Elektro- und Elektronikaltgeräte. Dies ist durch das Symbol auf dem Produkt, der Gebrauchsanleitung oder der Verpackung gekennzeichnet. Die Materialien sind entsprechend der Kennzeichnung recycelbar. Indem Sie Ihre Altgeräte wiederverwenden, recyceln oder anderweitig verwerten, leisten Sie einen wichtigen Beitrag zum Schutz der Umwelt.

1.3 Zweck

Der TechniSat DIGICLOCK 3 ist für den Empfang von FM-Radiosendungen konzipiert. Das Gerät ist für den privaten Gebrauch bestimmt und nicht für kommerzielle Zwecke geeignet.

1.4 Sichere Handhabung

Beachten Sie die folgenden Hinweise, um Sicherheitsrisiken zu minimieren, Schäden an den Geräten zu vermeiden und einen Beitrag zum Umweltschutz zu leisten.

Lesen Sie alle Sicherheitshinweise sorgfältig durch und bewahren Sie sie zum späteren Nachschlagen auf. Beachten Sie stets alle Warnhinweise und Anweisungen in dieser Anleitung und auf der Rückseite des Geräts.



GEFAHR!

Öffnen Sie niemals das Gerät!

Die Berührung lebender Komponenten ist lebensgefährlich!



WARNUNG!

Es besteht Erstickungsgefahr! Lassen Sie die Verpackung und ihre Teile nicht in der Obhut von Kindern. Erstickungsgefahr durch Folie und andere Verpackungsmaterialien!



Um die korrekte Verwendung des Geräts zu gewährleisten und Schäden am Gerät sowie Verletzungen zu vermeiden, müssen alle folgenden Anweisungen befolgt werden.

- Reparieren Sie das Gerät nicht selbst. Reparaturen sollten nur von

geschultem Fachpersonal durchgeführt werden. Kontakt

unsere Kundendienstzentren.

- Das Gerät darf nur unter den für es spezifizierten Umgebungsbedingungen betrieben werden.
- Setzen Sie das Gerät keinem Tropf- oder Spritzwasser aus. Wenn Wasser in das Gerät eindringt, schalten Sie es aus und benachrichtigen Sie den Kundendienst.
- Setzen Sie das Gerät keinen Wärmequellen aus, die das Gerät über den normalen Gebrauch hinaus aufheizen.
- Bei auffälligen Defekten am Gerät, Geruch oder Rauch, erheblichen Störungen oder Schäden am Gehäuse wenden Sie sich bitte sofort an den Kundendienst.
- Das Gerät darf nur mit der angegebenen Netzspannung betrieben werden. Versuchen Sie niemals, das Gerät mit einer anderen Spannung zu betreiben.
- Wenn das Gerät beschädigt ist, darf es nicht in Betrieb genommen werden.
- Verwenden Sie das Gerät nicht in der Nähe von Badewannen, Duschen, Schwimmbecken oder fließendem/spritzendem Wasser. Es besteht die Gefahr eines Stromschlags und/oder einer Beschädigung des Geräts.
- Es dürfen keine Fremdkörper, wie z.B. Nadeln, Münzen, etc. in das Gerät fallen. Berühren Sie die Anschlusskontakte nicht mit Metallgegenständen oder Fingern. Dies kann einen Kurzschluss verursachen.
- Das Gerät ist nicht dafür bestimmt, durch Personen (einschließlich Kinder) mit eingeschränkten physischen, sensorischen oder geistigen Fähigkeiten oder mangels Erfahrung und/oder mangels Wissen benutzt zu werden, es sei denn, sie werden durch eine für ihre Sicherheit zuständige Person beaufsichtigt oder erhalten von ihr Anweisungen zur Benutzung des Geräts.
- Es ist untersagt, Änderungen an dem Gerät vorzunehmen.
- Schauen Sie niemals direkt oder mit optischen Instrumenten in den Lichtstrahl des Projektors. Gefahr der Schädigung Ihres Sehvermögens!

141 Rechtliche Leitlinien



TechniSat erklärt hiermit, dass das Funkgerät des Typs DIGICLOCK 3 (76-4903-00) mit der Richtlinie 2014/53/EU und RoHS konform ist. Der vollständige Text der EU-Konformitätserklärung ist unter der folgenden Internetadresse verfügbar:

[pnh://konf.tsat.de/?ID=22886](http://konf.tsat.de/?ID=22886)



TechniSat haftet nicht für Schäden am Produkt, die durch äußere Einflüsse, Abnutzung oder unsachgemäße Handhabung, nicht autorisierte Reparaturen, Veränderungen oder Unfälle entstehen.



Änderungen und Druckfehler vorbehalten. Kopieren und Reproduktion

nur mit Genehmigung des Herausgebers. Die aktuelle Version des Handbuchs finden Sie im PDF-Format im Downloadbereich auf der TechniSat-Homepage unter www.technisat.pl.

1.42 Informationen zum Dienst

- i** Dieses Produkt ist qualitätsgeprüft und hat eine gesetzliche Garantiezeit von 24 Monaten ab Kaufdatum. Bitte bewahren Sie Ihren Rechnungsbeleg als Kaufnachweis auf. Bei Gewährleistungsansprüchen gehen die Portokosten direkt an den Hersteller zu Lasten des Kunden.
- i** Für Fragen und Informationen oder wenn Sie ein Problem mit diesem Gerät haben, steht Ihnen unsere technische Hotline zur Verfügung: Montag. - bis Freitag, von 8:00 Uhr bis 16:00 Uhr unter der Telefonnummer: +71 310 41 48.
- i** Der Garantiegeber verpflichtet sich im Rahmen der gewährten Garantie, etwaige Mängel am Produkt auf eigene Kosten zu beseitigen. Die Mängelbeseitigung erfolgt durch Ersatz des mangelhaften Produkts durch ein neues, mangelfreies Produkt oder durch dessen Reparatur.
- i** Um die Garantie in Anspruch nehmen zu können, ist der Käufer verpflichtet, die Fehlerhaftigkeit des Produkts in der Verkaufsstelle, in der das Produkt erworben wurde, zu melden und das fehlerhafte Produkt dort abliefern. Das Produkt sollte geliefert werden vollständig.
- i** Die Garantie deckt keine Produktmängel ab, die vom Käufer verursacht wurden oder sich aus diesen ergeben:
- das Produkt in einer Weise zu verwenden oder zu installieren, die nicht mit der Gebrauchsanweisung übereinstimmt,
 - unsachgemäße Lagerung oder Wartung des Geräts,
 - Reparaturen oder Änderungen am Produkt, die von nicht autorisierten Personen durchgeführt wurden,
 - Eindringen von Flüssigkeiten oder Fremdkörpern,
 - Blitzeinschläge und Überspannungen im Stromnetz
- i** Durch die Bestimmungen der Garantie werden die Rechte des Käufers (Verbrauchers) nach allgemein geltendem Recht (Gewährleistung) nicht ausgeschlossen, eingeschränkt oder ausgesetzt.
- i** Um detaillierte Informationen über ein Produkt zu erhalten, einschließlich der Regeln und Verfahren für das Garantieverfahren und die Zuteilung

einer RMA-Nummer, ist es möglich
telefonisch unter 71 310 41 48 oder per E-Mail an serwis@technisat.com , an Werktagen,
8.00 bis 16.00 Uhr **Serviceanfragen ON-LINE über www.serwis.technisat.com.**

2 Beschreibung des Geräts

21 Inhalt des Geräts

Bitte überprüfen Sie, ob folgende Teile im Lieferumfang enthalten sind: 1x TechniSat DIGICLOCK 3
1x Benutzerhandbuch

22 Besondere Merkmale

Das Radio verfügt über die folgenden besonderen Merkmale:

- FM-Radioempfang.
- UKW-Empfangsbereich 87,5-108 MHz (analog).
- LED-Anzeige.
- RMS-Audibleistung 0,5 W.
- Programmspeicher von 10 für FM-Sender.
- LED-Projektor mit FLIP-Funktion

23 Das Gerät für den Betrieb vorbereiten

23.1 Aufstellen einer Drahtantenne

Die Anzahl und Qualität der empfangenen Sender hängt von den Empfangsbedingungen am Installationsort ab. Mit einer Drahtantenne kann ein hervorragender Empfang erzielt werden.

> Positionieren Sie die Drahtantenne in Längsrichtung.



Die genaue Positionierung der Drahtantenne ist oft wichtig, besonders in peripheren UKW-Empfangsgebieten.



Beginnen Sie Ihre erste Suche am Fenster in Richtung des Sendemastes. Bei schlechtem Wetter kann der Empfang eingeschränkt sein.



Berühren Sie die Drahtantenne nicht während der Senderwiedergabe. Dies kann zu Empfangsstörungen und Tonaussetzern führen.

23.2 Anschluss an das Stromnetz



WARNUNG!

Fassen Sie den Stecker nicht mit nassen Händen an, es besteht die Gefahr eines Stromschlags!



HINWEIS!

Verlegen Sie das Netzkabel so, dass niemand darüber stolpern kann.

> Stecken Sie den Netzstecker des DIGICLOCK 3 in eine Netzsteckdose (AC 230V ~ 50Hz).

> Vergewissern Sie sich vor dem Anschluss des Geräts an eine Steckdose, dass die Betriebsspannung des Geräts mit der örtlichen Netzspannung übereinstimmt.



Ziehen Sie den Stecker aus der Steckdose, wenn Sie ihn nicht benutzen.

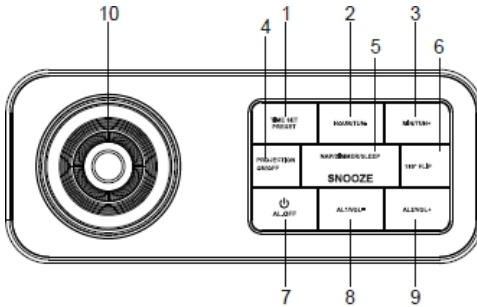
Ziehen Sie am Stecker, nicht am Kabel. Ziehen Sie das Gerät vor einem Gewitter aus der Steckdose. Ziehen Sie den Stecker aus der Steckdose, wenn das Gerät längere Zeit nicht benutzt wird, z. B. vor einer längeren Reise. Die während des Betriebs entstehende Wärme muss durch ausreichende Luftzirkulation abgeführt werden. Decken Sie daher das Gerät nicht ab

stellen Sie es nicht in einen geschlossenen Schrank. Sorgen Sie für einen Freiraum von mindestens 10 cm um das Gerät herum.

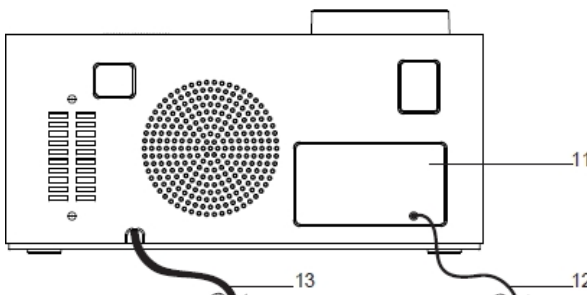


Der Radiowecker wird mit Wechselstrom betrieben. Verwenden Sie zwei AAA-Batterien, um die Uhrzeit auch bei Stromausfall genau einzuhalten. Legen Sie die Batterien so ein, dass die Polaritätsmarkierungen (+/-) im Batteriefach übereinstimmen. Ersetzen Sie alle Batterien gleichzeitig durch neue. Entfernen Sie alle Batterien, wenn das Gerät längere Zeit nicht benutzt wird.

24 Gerätefunktionen



1. ZEITEINSTELLUNG VOREINGESTELLT
2. STUNDE/TUN-
3. MIN/TUN+
4. PROJEKTION EIN/AUS
5. SCHLÄFCHEN/DIMM EN/SCHLAFEN/DÖSEN
6. 180 FLIP
7. AL.OFF
8. AL1/VOL-
9. AL2/VOL+
10. Fokus-Rad
11. Batterieabdeckung
12. Antennenkabel
13. Stromkabel



241 Einstellung der korrekten Uhrzeit

- > Um die richtige Uhrzeit einzustellen, schalten Sie das Gerät durch Drücken der Taste **AL.OFF (2)** aus.
- > Drücken Sie dann die Taste **TIME SET PRESET (1)** länger.
- > Um die Uhrzeit einzustellen, drücken Sie die Taste **HOURL / TUN- (2)**.
- > Um die Minuten einzustellen, verwenden Sie bitte die Taste **MIN / TUN+ (3)**.
- > Um die eingestellte Zeit zu bestätigen, drücken Sie die Taste **TIME SET PRESET (1)**.

242 Automatische Abstimmung

- > Schalten Sie den Radiowecker mit der Taste **AL.OFF (2) ein**.
- > Um die automatische Sendersuche zu starten, drücken Sie die **HOURL / TUN- (2)** oder **MIN / TUN+ (3)** Taste länger.
- > Der Radiowecker beginnt automatisch mit der Bandsuche, die beim ersten gefundenen Sender endet.

243 Manuelle Radioabstimmung

- > Um die richtige Empfangsfrequenz einzustellen, verwenden Sie bitte die Tasten **HOURL / TUN- (2)** und **MIN / TUN+ (3)**. Jedes Mal, wenn sie gedrückt werden, wird die Frequenz um 0,1 MHz verändert.

244 Sender als Favoriten speichern

- > Um einen Sender in der Favoritenliste zu speichern, drücken Sie die Taste **TIME SET PRESET (1)** länger.
- > Die Programmnummer blinkt auf dem Bildschirm. Stellen Sie mit den Tasten **HOURL / TUN- (2)** oder **MIN / TUN+ (3)** die gewünschte Nummer ein und speichern Sie das Programm, indem Sie es mit **TIME SET PRESET (1)** bestätigen.

245 Aufrufen eines Programms aus der Radioprogrammliste

- > Drücken Sie die Taste **TIME SET PRESET (1)**.
- > Mit jedem weiteren Druck wird die Nummer des Lieblingsprogramms um eine Position nach oben verschoben.

246 Einstellung des Alarms

- > Um den Wecker einzustellen, schalten Sie den Radiowecker durch Drücken der Taste **AL.OFF (2)**.
- > Nach dem Ausschalten des Gerätes drücken Sie bitte **AL.1 / VOL- (8)** oder **AL.2 / VOL+ (9)**. Die Zeiteinstellung blinkt auf dem Display.
- > Sie können wählen, ob das Gerät während des Alarms in einem bestimmten Modus arbeiten soll: Radio oder Summer. Die LED mit dem Glockensymbol ist die Option mit Summer. Die LED mit dem Notensymbol ist die Option mit Radio. Drücken Sie die Taste **AL.1 / VOL-**.

(8) oder **AL.2 /VOL+ (9)**, um den gewünschten Modus zu wählen.

- > Wenn Sie bereits den Weckmodus gewählt haben, können Sie nun die Weckzeit einstellen. Drücken Sie **HOUR / TUN- (2)** zum Einstellen und **MIN / TUN+ (3)** zum Einstellen der Minuten.
- > Drücken Sie **AL.1 / VOL- (8)** oder **AL.2 / VOL+ (9)**, je nachdem, ob Sie Alarmnummer 1 oder Alarmnummer 2 eingestellt haben, um die Alarmzeit zu speichern.

247 Aktivierung und Deaktivierung des Alarms

- > Wenn der Radiowecker ausgeschaltet ist, können Sie wählen, ob das Gerät während des Weckens in einem Modus betrieben werden soll: Radio oder Summer. Die LED mit dem Glockensymbol ist die Option mit dem Summer. Die LED mit dem Notensymbol ist die Option mit Radio. Drücken Sie **AL.1 / VOL- (8)** oder **AL.2 / VOL+ (9)**, um den gewünschten Modus zu wählen.
- > Um den Alarm abzubrechen, drücken Sie **AL.1 / VOL- (8)** oder **AL.2 / VOL+ (9)**, bis die rote Anzeige neben dem Glocken- und Notensymbol erlischt.
- > Wenn der Alarm aktiviert ist, drücken Sie zum Deaktivieren die Taste **AL.OFF (2)**.

248 Snooze-Funktion

- > Während des Alarms können Sie durch Drücken der Taste **NAP/DIMMER/SLEEP/SNOOZE (5)** **schaltet sich** für 10 min ab. Während der Snooze-Phase blinkt die LED neben dem Glocken- und Notensymbol. DE
- > Nach 10 Minuten ertönt der Alarm erneut.
- > Um den Alarm vollständig auszuschalten, drücken Sie die Taste **AL.OFF (2)**, die LED, die den Alarmtyp symbolisiert, hört auf zu blinken.
- > Der Alarm ertönt am nächsten Tag zur eingestellten Zeit erneut.

249 Einstellung des Ausschalttimers

- > Der Ausschalttimer wird beim Einschalten des Radioweckers eingestellt.
- > Durch Drücken der Taste **NAP/DIMMER/SLEEP/SNOOZE (5)** haben Sie die Möglichkeit, die Zeit zu ändern, nach der sich das Gerät automatisch ausschaltet.
- > Die folgenden Einstellungen sind verfügbar: **10, 20, 30, 40, 50, 60, 70, 80, 90 Minuten** und **OFF (Timer aus)**.
- > Wenn der Abschalttimer aktiviert ist, leuchtet eine rote LED auf dem Radiodisplay auf, um den Timer anzuzeigen.

2410 Ändern der Lautstärke

- > Während Sie Radio hören, drücken Sie bitte **AL.1 / VOL- (8)**, um die Lautstärke zu verringern.

- > Während Sie Radio hören, drücken Sie bitte **AL.2 / VOL+ (9)**, um die Lautstärke zu erhöhen.

24.11 Ändern der Intensität der Hintergrundbeleuchtung des LED-Displays

Es stehen zwei Einstellungen für die Bildschirmhelligkeit zur Verfügung.

- > Um die Helligkeit zu ändern, halten Sie die Taste **NAP/DIMMER/SLEEP/SNOOZE (5)** gedrückt.
- > Erneutes längeres Drücken der Taste **NAP/DIMMER/SLEEP/SNOOZE (5)** wird die vorherige LED-Intensität wiederhergestellt.

24.12 Zeitliche Projektion

- > Um die Zeitprojektion zu aktivieren, drücken Sie bitte die Taste **PROJEKTION EIN/AUS (4)**. Die Uhrzeit wird projiziert und ist an der Decke sichtbar.
- > Um die Schärfe der angezeigten Zeit einzustellen, passen Sie diese bitte entsprechend an

Fokussierknopf (10).

- > Durch erneutes Drücken der Taste **PROJEKTION ON/OFF (4)** wird die Bildschirmprojektion ausgeschaltet.

24.13 FLIP-Funktion

- > Um die an der Decke angezeigte Zeit während der Projektion um 180° zu drehen, drücken Sie bitte die Taste **180 FLIP (6)**.

3 Spezifikation

Frequenzbereich: FM 87,5-108 MHz
Stromquelle: AC 230V ~ 50 Hz, 5W
LED-Anzeige: 1,2"
Abmessungen des Geräts: 155x63x79mm
Batterien: 2x AAA für Speicher-Backup*
Ausgangsleistung: 0,5 W
Liste der bevorzugten Sender: 10
Positionen Zeitprojektionsfunktion:
JA FLIP-Funktion: Ja
Lichtquelle des Projektors: LED

HINWEIS: Die Batterien werden nur verwendet, um den Speicher des Geräts im Falle eines Stromausfalls aufrechtzuerhalten (z. B. den Zeitspeicher). Batterien sind nicht enthalten.

4 Hersteller

TechniSat Digital Sp. z o.o.
ul. Poznańska 2,
Siemianice 55-120 Oborniki
Śląskie

Kundendienstbüro
Tel.: +48 71 310 41 41, E-Mail: biuro@technisat.com

Geöffnet von Montag bis Freitag von: 8:00-16:00

Kasutusjuhend

DIGICLOCK 3

Raadio äratuskell LED-ekraaniga ja projektoriga



TechniSat

1 Ohutusjuhised

1.1 Eessõna

Lugupeetud kliendid,

Aitäh, et valisite TechniSat raadio äratuskella.

Käesolev kasutusjuhend on mõeldud selleks, et aidata teil oma uue seadme funktsioonidega tutvuda ja neid optimaalselt kasutada. See aitab teil kasutada raadiohäirekella ohutult ja vastavalt selle kasutusotstarbele. See on mõeldud kõigile, kes seadet paigaldavad, kasutavad, puhastavad või kõrvaldavad. Hoidke kasutusjuhend edaspidiseks kasutamiseks kindlas kohas.

TechniSat meeskond

1.2 Kasutatud sümbolid ja tähised

Käesolevas kasutusjuhendis:



Tähistab ohutusjuhendit, mille eiramine võib kaasa tuua põhjustada tõsiseid vigastusi või surma. Jälgige järgmisi märguandeid:

OHT - raske vigastus, mis võib põhjustada surma.

HOIATUS - Raske kehavigastus, mis võib põhjustada surma.

MÄRKUS - Vigastused.



See näitab märkust, mida tuleb järgida, et vältida seadme talitlushäireid, andmekaotust/kahjustusi või tahtmatut kasutamist. Samuti kirjeldab see seadme edasisi funktsioone.



Hoiatus elektrilise pinge eest. Elektrilöögi vältimiseks järgige kõiki ohutusjuhiseid. Ärge kunagi avage seadet.

Seadmes:



Kasutamine siseruumides - selle sümboliga tähistatud seadmed sobivad ainult siseruumides kasutamiseks.



Teie seade kannab CE-märgistust ja vastab kõigile nõutavatele ELi standarditele.



See seade on konstrueeritud ja valmistatud kvaliteetsetest materjalidest ja komponentidest, mis on taaskasutatavad. Välja kriipsutatud ratastega prügikasti sümbol näitab, et toode kuulub Euroopa Parlamendi direktiivi kohaselt eraldi kogumisele.

ja nõukogu 2012/19/EL ning kooskõlas Euroopa Parlamendi ja nõukogu direktiiviga 2006/66/EÜ ja teatab, et elektri- ja elektroonikaseadmeid ning patareisid ja akusid ei tohi pärast nende kasutaja lõppemist kõrvaldada koos

muud majapidamisjätmed. Kasutaja on kohustatud andma need üle elektri- ja elektroonikaseadmete ning patareide ja akude jäätmekogumissüsteemi rajanud elektri- ja elektroonikaseadmete ning patareide ja akude jäätmekogujale, sealhulgas asjakohasele kauplusele, kohalikule kogumispunktile või munitsipaalüksusele. Seadmete jätmed võivad avaldada kahjulikku mõju keskkonnale ja inimeste tervisele, kuna need võivad sisaldada ohtlikke aineid, segusid ja komponente. Kodumajapidamistel on oluline roll seadmete jäätmete korduvkasutamisele ja taaskasutamisele, sealhulgas ringlussevõtule, kaasaaitamisel. Selles etapis kujunevad hoiakud, mis mõjutavad ühise hüve, milleks on puhas keskkond, säilitamist. Kodumajapidamised on ka üks suurimaid väikeseadmete kasutajaid ja nende seadmete ratsionaalne käitlemine mõjutab sekundaarse tooraine taaskasutamist. Selle toote ebaõige kõrvaldamise korral võidakse määrata karistusi vastavalt siseriiklikele õigusaktidele. Toote elutsükli lõpus ei tohiks seda kõrvaldada

prügi tavalisest majapidamisjätmetest, vaid elektri- ja elektroonikaseadmete jäätmete kogumispunkti. Seda näitab sümbol toote peal, kasutusjuhendis või pakendil. Materjalid on vastavalt märgistusele taaskasutatavad. Oma vanade seadmete korduvkasutamise, ringlussevõtu või muul viisil taaskasutamisega annate olulise panuse keskkonnakaitsesse.

1.3 Eesmärk

TechniSat DIGICLOCK 3 on mõeldud FM-raadiosaadete vastuvõtmiseks. Seade on mõeldud isiklikuks kasutamiseks ja ei sobi ärilistel eesmärkidel.

1.4 Ohutu käitlemine

Järgmiste juhiste järgimine minimeerib ohutusrisiki, väldib seadme kahjustamist ja aitab kaasa keskkonnakaitsesele.

Lugege hoolikalt läbi kõik ohutusjuhised ja hoidke need edaspidiseks alles. Järgige alati kõiki käesolevas kasutusjuhendis ja seadme tagaküljel olevaid hoiatusi ja juhiseid.



OHT!

Ärge kunagi avage seadet!

Elusate komponentide puudutamine on eluohtlik!



HOIATUS!

Hukumisoho! Ärge jätke pakendit ja selle osi laste hooleks. Fooliumist ja muudest pakkematerjalidest tulenev lämbumisoho!



Seadme õige kasutamise tagamiseks ning seadme kahjustuste ja kehavigastuste vältimiseks tuleb järgida kõiki järgmisi juhiseid.

- Ärge parandage seadet ise. Remonti võivad teostada ainult koolitatud spetsialistid. Võtke ühendust aadressil .

meie klienditeeninduskeskused.

- Seadet tohib kasutada ainult selle jaoks ettenähtud keskkonnatingimustes.
- Ärge pange seadet kokku tilkuva või pritsiva veega. Kui vesi satub seadmesse, lülitage see välja ja teavitage teenindusosakonda.
- Ärge asetage seadet lisaks tavapärasele kasutamisele soojusallikatele, mis soojendavad seadet.
- Kui seadmel on märgatav defekt, lõhn või suits, olulised vead või korpuse kahjustused, võtke viivitamatult ühendust teeninduskeskusega.
- Seadet tohib kasutada ainult ettenähtud võrgupingel. Ärge kunagi püüdke seadet kasutada mõne muu pinge korral.
- Kui seade on kahjustatud, ei tohi seda kasutada.
- Ärge kasutage seadet vannide, duššide, basseinide või voolava/pritsiva vee lähedal. On olemas elektrilöögi ja/või seadme kahjustamise oht.
- Seadmesse ei tohi sattuda võõrkehi, nt nõelu, münte jne. Ärge puudutage ühenduskontakte metallesemete või sõrmedega. See võib põhjustada lühise.
- Seade ei ole ette nähtud kasutamiseks isikutele (sealhulgas lastele), kelle füüsilised, sensoorsed või vaimsed võimed on piiratud või kellel puuduvad kogemused ja/või teadmised, välja arvatud juhul, kui nad on saanud seadme kasutamise kohta järelevalvet või juhiseid nende ohutuse eest vastutavalt isikult.
- Seadme muutmise on keelatud.
- Ärge kunagi vaadake otse või optiliste vahenditega projektori valguskiirde sisse. Nägemise kahjustamise oht!

1.41 Õiguslikud suunised



TechniSat deklareerib käesolevaga, et raadioseadme tüüp DIGICLOCK 3 (76-4903-00) vastab direktiivile 2014/53/EL ja ohtlike ainete kasutamise piiramise direktiivi nõuetele. ELi vastavusdeklaratsiooni täistekst on kättesaadav järgmisel veebiaadressil:

[pnh://konf.tsat.de/?ID=22886](http://konf.tsat.de/?ID=22886)



TechniSat ei vastuta toote kahjustuste eest, mis on põhjustatud välismõjudest, kulumisest või ebaõigest käitlemisest, omavolilisest remondist, muudatustest või õnnetustest.



Muudatused ja trükivigad lubatud. Kopeerimine ja reprodutseerimine

ainult kirjastaja loal. Käsiraamatu uusim versioon on saadaval PDF-vormingus TechniSati kodulehe allalaadimisalas aadressil www.technisat.pl.

1.42 Teenuse teave



See toode on kvaliteeditestitud ja sellel on 24 kuu pikkune seaduslik garantii alates ostukuupäevast. Palun säilitage ostutõendina oma arve kviitung. Garantiinõuete korral maksab postikulud otse tootjale klient.



Küsimuste ja teabe saamiseks või kui teil on selle seadmega probleeme, on meie tehniline infotelefon kättesaadav: esmaspäev. - kuni reedeni kell 8:00-16:00 telefoninumbriil: +71 310 41 48.



Garandi andja kohustub antud garantii raames kõrvaldama omal kulul kõik tootes esinevad puudused. Defektide kõrvaldamine toimub defektse toote asendamise teel uue, defektivaba tootega või selle parandamise teel.



Garantii kasutamiseks on ostja kohustatud teatama toote defektist müügikohas, kust toode osteti, ja tarnida defektne toode sinna. Toode tuleb tarnida täielik.



Garantii ei hõlma toote defekte, mis on põhjustatud ostja poolt või mis tulenevad järgmistest asjaoludest:

- kasutada või paigaldada toodet viisil, mis ei ole kooskõlas kasutusjuhendiga,
- seadme ebaõige hoiustamine või hooldamine,
- volitamata isikute poolt teostatud remondi- või ümberehitustööd,
- vedelike või võõrkehade sattumine,
- pikselöögid ja elektriliinide ülepinged



Garantiisätted ei välista, piira ega lükka edasi ostjate (tarbijate) õigusi, mis tulenevad üldiselt kohaldatavast õigusest (garantii).



Toote kohta üksikasjaliku teabe saamiseks, sealhulgas garantiimenetluse reeglite ja menetluste kohta, RMA-numbri määramiseks on võimalik pöörduda aadressil

tööpäeviti telefonil 71 310 41 48 või e-posti aadressil serwis@technisat.com ,

8.00-16.00. Teenuse taotlused ON-LINE aadressil www.serwis.technisat.com.

2 Seadme kirjeldus

21 Seadme sisu

Palun kontrollige, et järgmised andmed oleksid lisatud: 1x TechniSat DIGICLOCK 3
1x kasutusjuhend

22 Eriomadused

Raadiol on järgmised eriomadused:

- FM-raadio vastuvõtmine.
- UKW vastuvõtuala 87,5-108 MHz (analoog).
- LED-ekraan.
- RMS helivõimsus 0,5W.
- FM-jaamade jaoks 10 programmimälu.
- FLIP-funktsiooniga LED-projektor

23 Seadme ettevalmistamine tööks

23.1 Juhtmeantenni seadistamine

Vastuvõetavate jaamade arv ja kvaliteet sõltub vastuvõtutingimustest paigalduskohas. Juhtmeantenniga on võimalik saavutada suurepärase vastuvõtt.

> Asetage traatantenn pikisuunas.



Juhtmeantenni täpne positsioneerimine on sageli oluline, eriti FM-vastuvõtu äärealadel.



Alustage oma esimest otsingut aknast saatja masti suunas. Halva ilmaga võib vastuvõtt olla piiratud.



Ärge puudutage juhtmeantenni jaama taasesituse ajal. See võib põhjustada vastuvõtuhäireid ja heli hääbumist.

23.2 Ühendus toiteallikaga



HOIATUS!

Ärge puudutage pistikut märgade kätega, elektrilöögi oht!



MÄRKUS!

Korraldage võrgukaabel nii, et keegi ei komistaks selle üle.

- > Ühendage DIGICLOCK 3 võrgupistik pistikupessa (AC 230V ~ 50Hz).
- > Enne seadme ühendamist pistikupessa veenduge, et seadme tööpinge vastab kohalikule võrgupingele.



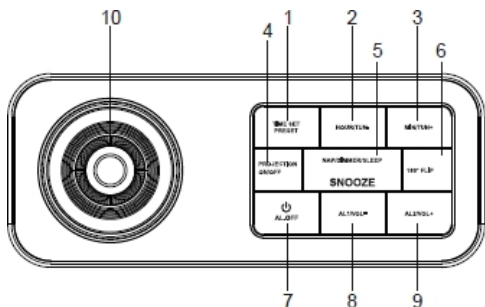
Tõmmake pistik pistikupesast välja, kui seda ei kasutata. Tõmmake pistikut, mitte kaablit. Tõmmake seade enne tormi välja. Tõmmake seade pistikupesast välja, kui seda ei kasutata pikemat aega, nt enne pikale reisile minekut. Töötamise ajal tekkiv soojus tuleb hajutada piisava õhuringluse abil. Seetõttu ärge katke seadet

ega aseta seda suletud kapis. Tagage vähemalt 10 cm vaba ruumi seadme ümber.



Raadiohäärekell töötab vahelduvvooluga. Kasutage kahte AAA suurusega patareid, et hoida täpset aega ka voolukatkestuse ajal. Asetage patareid, järgides patareipesas olevaid polaarsuse märgiseid (+/-). Asendage kõik patareid korraga uute vastu. Eemaldage kõik patareid, kui seadet ei kasutata pikema aja jooksul.

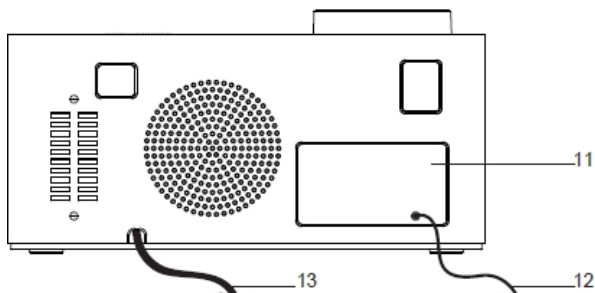
24 Seadme funktsioonid



1. AJA EELSEADISTUS
2. HOUR/TUN-
3. MIN/TUN+
4. PROJEKTSIOON SISSE/VÄLJA
5. UINUMINE/DIMMER/UNE/NOOZE
6. 180 FLIP
7. AL.OFF
8. AL1/VOL-
9. AL2/VOL+
10. Fookusratas
11. Akukate
12. Antennikaabel
13. Toitekaabel



- A. Häire 1 helisignaali
- B. Häire 1 raadio
- C. NAP (taimer)
- D. SLEEP
- E. Häire 2 helisignaali
- F. Alarm 2 Raadio



241 Õige aja määramine

- > Õige aja seadmiseks lülitage seade välja, vajutades nuppu **AL.OFF (2)**.
- > Seejärel vajutage pikemalt nuppu **TIME SET PRESET (1)**.
- > Kellaaja seadmiseks vajutage nuppu **HOUR / TUN- (2)**.
- > Minutite seadmiseks kasutage nuppu **MIN / TUN+ (3)**.
- > Seadistatud aja kinnitamiseks vajutage nuppu **TIME SET PRESET (1)**.

242 Automaatne häälestus

- > Lülitage raadio äratuskell sisse, kasutades nuppu **AL.OFF (2)**.
- > Automaatse jaamaotsingu käivitamiseks vajutage pikemalt nuppu **HOUR / TUN- (2)** või **MIN / TUN+ (3)**.
- > Raadio äratuskell hakkab automaatselt otsima sagedusala, mis peatub esimese leitud jaama juures.

243 Raadio käsitsi häälestamine

- > Õige vastuvõtusageduse seadmiseks kasutage nuppe **HOUR / TUN- (2)** ja **MIN / TUN+ (3)**. Iga kord, kui neid vajutatakse, muutub sagedus 0,1 MHz võrra.

244 Salvesta jaamad lemmikute hulka

- > Jaama salvestamiseks lemmikloendisse vajutage pikemalt nuppu **TIME SET PRESET (1)**.
- > Programmi number vilgub ekraanil. Kasutades nuppe **HOUR / TUN- (2)** või **MIN / TUN+ (3)**, seadistage soovitud number ja salvestage programm, kinnitades seda nupuga **TIME SET PRESET (1)**.

245 Programmi kutsumine raadioprogrammide nimekirjast

- > Vajutage nuppu **TIME SET PRESET (1)**.
- > Iga järgmine vajutus muudab lemmikprogrammi numbrit ühe positsiooni võrra ülespoole.

246 Alarmi seadistus

- > Äratuse seadmiseks lülitage raadio äratuskell välja, vajutades nuppu **AL.OFF (2)**.
- > Pärast seadme väljalülitamist vajutage **AL.1 / VOL- (8)** või **AL.2 / VOL+ (9)**. Ekraanil vilgub aja seadistus.
- > Saate valida, kas soovite, et seade töötaks häire ajal režiimis: Raadio või helisignaali. Kellasümboliga LED on valik koos helisignaali. Noodisümboliga LED on valik raadioga. Vajutage **AL.1 / VOL- (8)** või **AL.2 / VOL+ (9)**, et valida soovitud režiim.

- > Kui olete juba valinud äratusrežiimi, saate nüüd seadistada äratusaja. Vajutage **HOOR / TUN- (2)** seadmiseks ja **MIN / TUN+ (3)** minutite seadmiseks.
- > Vajutage **AL.1 / VOL- (8)** või **AL.2 / VOL+ (9)** **sõltuvalt** sellest, kas olete seadnud alarmi number 1 või alarmi number 2, et salvestada alarmi aeg.

247 Häire aktiveerimine ja deaktiveerimine

- > Kui raadiohäirekell on välja lülitatud, saate valida, kas seade töötab äratuse ajal režiimis: Raadio või helisignaali. Kellasümboliga LED on helisignaali valgik. Noodisümboliga LED on valgik raadioga. Vajutage **AL.1 / VOL- (8)** või **AL.2 / VOL+ (9)**, et valida soovitud režiim.
- > Häire tühistamiseks vajutage **AL.1 / VOL- (8)** või **AL.2 / VOL+ (9)**, kuni punane indikaator kella ja noodisümboli kõrval kaob.
- > Kui häire on aktiveeritud, siis selle deaktiveerimiseks vajutage nuppu **AL.OFF (2)**.

248 Snooze funktsioon

- > Häire ajal vajutades **NAP/DIMMER/SLEEP/SNOOZE** nuppu **(5)** lülitub välja 10 minutiks. Tundmisperioodi ajal vilgub helisignaali ja märkuse sümboli kõrval asuv LED. **ET**
- > 10 minuti pärast kõlab häire uuesti.
- > Alarmi täielikuks väljalülitamiseks vajutage nuppu **AL.OFF (2)**, alarmi tüüpi sümboliseeriv LED lõpetab vilkumise.
- > Alarm heliseb uuesti järgmisel päeval määratud ajal.

249 Väljalülitamise taimeri seadistamine

- > Väljalülitamise taimer on seadistatud, kui raadio äratuskell on sisse lülitatud.
- > Vajutades nuppu **NAP/DIMMER/SLEEP/SNOOZE (5)**, on teil võimalus muuta aega, mille järel seade automaatselt välja lülitub.
- > Saadaval on järgmised seaded: **10, 20, 30, 40, 50, 60, 70, 80, 90 min.** ja **OFF (taimer välja lülitatud)**.
- > Kui väljalülitamise taimer on aktiveeritud, süttib raadioekraanil punane LED, mis osutab taimerile.

2410 Helitugevuse muutmine

- > Raadio kuulamise ajal vajutage helitugevuse vähendamiseks **AL.1 / VOL- (8)**.
- > Raadio kuulamise ajal vajutage helitugevuse suurendamiseks **AL.2 / VOL+ (9)**.

24.11 LED-ekraani taustavalgustuse intensiivsuse muutmine

Saadaval on kaks ekraani heleduse seadistust.

- > Heleduse muutmiseks vajutage ja hoidke all nuppu **NAP/DIMMER/SLEEP/SNOOZE (5)**.
- > **NAP/DIMMER/SLEEP/SNOOZE** nupu uuesti pikemaks ajaks vajutamine **(5)** pöördub tagasi eelmisele LED-i intensiivsusele.

24.12 Ajaprojektsioon

- > Ajaprojektsiooni aktiveerimiseks vajutage nuppu **PROJEKTSIOON ON/OFF (4)**. Kellaage projitseeritakse ja see on laes nähtav.
 - > Näidatava aja fookuse reguleerimiseks kohandage seda vastavalt **Fookusnupp (10)**.
- > Vajutades uuesti nuppu **PROJEKTSIOON ON/OFF (4)**, lülitatakse ekraaniprojektsioon välja.

24.13 FLIP funktsioon

- > Kui soovite projektsiooni ajal laes kuvatavat aega 180o võrra ümber pöörata, vajutage nuppu **180 FLIP (6)**.

3 Spetsifikatsioon

Sagedusvahemik: FM 87,5-108 MHz

Võimsuse allikas: AC 230V ~ 50 Hz, 5W

LED-ekraan: 1,2"

Seadme mõõtmed: Patareid: 155x63x79mm

Patareid: 155x63x79mm: Väljundvõimsus:
0,5W

Lemmikjaamade nimekiri: FLIP-
funktsioon: Jah

Projektori valgusallikas: LED

MÄRKUS: Akutoite kasutatakse ainult seadme mälu säilitamiseks elektrikatkestuse korral (nt ajamälu). Patareid ei kuulu komplekti.

4 Tootja

TechniSat Digital Sp. z o.o.
ul. Poznańska 2,
Siemianice 55-120 Oborniki
Śląskie

Klienditeenindusbüroo
tel: +48 71 310 41 41, e-post: biuro@technisat.com
Avatud esmaspäevast reedeni alates: 8:00-16:00

Mode d'emploi

DIGICLOCK 3

Radio-réveil avec écran LED et projecteur



TechniSat

1 Consignes de sécurité

1.1 Avant-propos

Chers clients,

Merci d'avoir choisi un radio-réveil TechniSat.

Ce mode d'emploi a pour but de vous aider à vous familiariser avec les fonctions de votre nouvel appareil et à les utiliser de manière optimale. Il vous aidera à utiliser le radio-réveil en toute sécurité et conformément à l'usage auquel il est destiné. Il s'adresse à toute personne chargée de l'installation, de l'utilisation, du nettoyage et de la mise au rebut de l'appareil.

Conservez le mode d'emploi dans un endroit sûr pour pouvoir vous y référer ultérieurement.

L'équipe TechniSat

12 Symboles et symboles utilisés

Dans ce manuel :



Indique une consigne de sécurité dont le non-respect peut provoquer des blessures graves, voire mortelles. Respectez les signaux suivants :

DANGER - Blessures graves pouvant entraîner la mort.

AVERTISSEMENT - Blessures graves pouvant entraîner la mort.

NOTE - Blessures.



Elle indique les consignes à respecter afin d'éviter tout dysfonctionnement de l'appareil, toute perte/utilisation de données ou tout fonctionnement non intentionnel. Elle décrit également d'autres fonctions de l'appareil.



Mise en garde contre la tension électrique. Respectez toutes les consignes de sécurité pour éviter les chocs électriques. Ne jamais ouvrir l'appareil.

Sur l'appareil :



Utilisation à l'intérieur - les appareils marqués de ce symbole conviennent uniquement à une utilisation à l'intérieur.



Votre appareil porte le marquage CE et répond à toutes les normes européennes requises.



Cet appareil a été conçu et fabriqué avec des matériaux et des composants de haute qualité qui sont recyclables. Le symbole de la poubelle barrée indique que le produit doit faire l'objet d'une collecte sélective conformément à la directive du Parlement européen.

et du Conseil 2012/19/UE et conformément à la directive 2006/66/CE du Parlement européen et du Conseil et informe que les équipements électriques et électroniques ainsi que les piles et accumulateurs, après leur durée de vie utile, ne doivent pas être éliminés avec les déchets d'équipements électriques et

électroniques.

d'autres déchets ménagers. L'utilisateur est tenu de les remettre à un collecteur de déchets d'équipements électriques et électroniques ainsi que de piles et d'accumulateurs mettant en place un système de collecte de ces déchets, y compris à un magasin approprié, à un point de collecte local ou à une unité municipale. Les déchets d'équipements peuvent avoir un impact négatif sur l'environnement et la santé humaine en raison de leur contenu potentiel en substances, mélanges et composants dangereux. Les ménages jouent un rôle important en contribuant à la réutilisation et à la récupération, y compris le recyclage, des déchets d'équipements. C'est à ce stade que se forment les attitudes qui influencent la préservation du bien commun, à savoir un environnement propre. Les ménages sont également l'un des plus grands utilisateurs de petits équipements et la gestion rationnelle de ces équipements influe sur la récupération de matières premières secondaires. En cas d'élimination incorrecte de ce produit, des sanctions peuvent être imposées conformément à la législation nationale. À la fin du cycle de vie du produit, celui-ci ne doit pas être éliminé dans les eaux usées.

les déchets des ordures ménagères normales, mais au point de collecte des déchets d'équipements électriques et électroniques. Ce point est indiqué par le symbole figurant sur le produit, le manuel d'utilisation ou l'emballage. Les matériaux sont recyclables selon l'étiquette. En réutilisant, en recyclant ou en valorisant d'une autre manière votre ancien équipement, vous apportez une contribution importante à la protection de l'environnement.

13 Objectif

Le TechniSat DIGICLOCK 3 est conçu pour recevoir des émissions de radio FM. L'appareil est destiné à un usage privé et ne convient pas à des fins commerciales.

14 Manipulation sûre

Le respect des instructions suivantes permet de minimiser les risques de sécurité, d'éviter d'endommager l'appareil et de contribuer à la protection de l'environnement.

Lisez attentivement toutes les consignes de sécurité et conservez-les pour vous y référer ultérieurement. Respectez toujours les avertissements et les instructions figurant dans ce manuel et au dos de l'appareil.



DANGER !

N'ouvrez jamais l'appareil !

Le contact avec des composants sous tension met la vie en danger !



ATTENTION !

Risque d'asphyxie ! Ne pas confier l'emballage et ses éléments à des enfants.
Risque d'asphyxie par les feuilles d'aluminium et autres matériaux d'emballage !



Afin de garantir une utilisation correcte de l'appareil et d'éviter tout dommage à l'appareil et toute blessure, toutes les instructions suivantes doivent être respectées.

- Ne réparez pas l'appareil vous-même. Les réparations doivent être effectuées par des professionnels qualifiés. Contact

nos centres de service à la clientèle.

- L'appareil ne doit être utilisé que dans les conditions environnementales spécifiées.
- N'exposez pas l'appareil à des gouttes ou à des éclaboussures d'eau. Si de l'eau pénètre dans l'appareil, éteignez-le et prévenez le service après-vente.
- Ne pas exposer l'appareil à des sources de chaleur qui le réchauffent en plus de l'utilisation normale.
- En cas de défaut visible de l'appareil, d'odeur ou de fumée, de défauts importants ou de dommages au boîtier, contactez immédiatement le centre de service.
- L'appareil ne peut être utilisé qu'à la tension secteur spécifiée. N'essayez jamais de faire fonctionner l'appareil à une autre tension.
- Si l'appareil est endommagé, il ne doit pas être utilisé.
- N'utilisez pas l'appareil à proximité d'une baignoire, d'une douche, d'une piscine ou d'eau courante/éclaboussante. Il existe un risque d'électrocution et/ou d'endommagement de l'appareil.
- Les objets étrangers, tels que les aiguilles, les pièces de monnaie, etc. ne doivent pas tomber dans l'appareil. Ne touchez pas les contacts de connexion avec des objets métalliques ou vos doigts. Cela pourrait provoquer un court-circuit.
- L'appareil n'est pas destiné à être utilisé par des personnes (y compris des enfants) dont les capacités physiques, sensorielles ou mentales sont réduites, ou qui manquent d'expérience et/ou de connaissances, à moins qu'elles n'aient été supervisées ou instruites sur l'utilisation de l'appareil par une personne responsable de leur sécurité.
- Il est interdit d'apporter des modifications à l'appareil.
- Ne regardez jamais directement ou avec des instruments optiques dans le faisceau lumineux du projecteur. Vous risqueriez d'endommager votre vue !

1.41 Lignes directrices



TechniSat déclare par la présente que le dispositif radio de type DIGICLOCK 3 (76- 4903-00) est conforme à la directive 2014/53/UE et à la directive RoHS. Le texte intégral de la déclaration de conformité de l'UE est disponible à l'adresse web suivante :

[pnh://konf.tsat.de/?ID=22886](http://konf.tsat.de/?ID=22886)



TechniSat n'est pas responsable des dommages causés au produit par des influences extérieures, l'usure ou une mauvaise manipulation, des réparations

non autorisées, des modifications ou des accidents.



Sous réserve de modifications et d'erreurs d'impression. Copie et reproduction

uniquement avec l'autorisation de l'éditeur. La dernière version du manuel est disponible au format PDF dans la zone de téléchargement de la page d'accueil de TechniSat à l'adresse www.technisat.pl.

1.42 Informations sur les services

- i** Ce produit a fait l'objet d'un test de qualité et bénéficie d'une garantie légale de 24 mois à compter de la date d'achat. Veuillez conserver votre facture comme preuve d'achat. En cas de recours à la garantie, les frais d'envoi directement au fabricant sont à la charge du client.
- i** Pour toute question et information ou si vous avez un problème avec cet appareil, notre hotline technique est disponible : du lundi - au vendredi, de 8h00 à 16h00 au numéro de téléphone : +71 310 41 48.
- i** Le garant, dans le cadre de la garantie accordée, s'engage à éliminer à ses frais tout défaut du produit. L'élimination des défauts se fera en remplaçant le produit défectueux par un nouveau produit sans défaut ou en le réparant.
- i** Pour bénéficier de la garantie, l'acheteur est tenu de signaler la défectuosité du produit au point de vente où le produit a été acheté et de y livrer le produit défectueux. Le produit doit être livré complète.
- i** La garantie ne couvre pas les défauts du produit causés par l'acheteur ou résultant de :
- d'utiliser ou d'installer le produit d'une manière incompatible avec les instructions d'utilisation,
 - un stockage ou un entretien inadéquat de l'appareil,
 - les réparations ou modifications du produit effectuées par des personnes non autorisées,
 - la pénétration de liquides ou de corps étrangers,
 - la foudre et les surtensions des lignes électriques
- i** Les dispositions de la garantie n'excluent pas, ne limitent pas et ne suspendent pas les droits des acheteurs (consommateurs) en vertu de la loi généralement applicable (garantie).
- i** Pour obtenir des informations détaillées sur un produit, y compris les règles et procédures relatives à la procédure de garantie, l'attribution d'un numéro RMA, il est possible de
par téléphone 71 310 41 48 ou par courriel serwis@technisat.com , les jours ouvrables,
8 heures à 16 heures Demandes de service ON-LINE via

2 Description du dispositif

21 Contenu de l'appareil

Veillez vérifier que les éléments suivants sont inclus : 1x TechniSat DIGICLOCK 3
1x Manuel de l'utilisateur

22 Caractéristiques spéciales

La radio présente les caractéristiques spéciales suivantes :

- Réception de la radio FM.
- Gamme de réception UKW 87,5-108 MHz (analogique).
- Affichage LED.
- Puissance audio RMS 0,5W.
- Mémoire de programme de 10 pour les stations FM.
- Projecteur LED avec fonction FLIP

23 Préparation de l'appareil au fonctionnement

23.1 Mise en place d'une antenne filaire

Le nombre et la qualité des stations reçues dépendent des conditions de réception sur le site d'installation. Une excellente réception peut être obtenue avec une antenne filaire.

> Positionner l'antenne filaire dans le sens de la longueur.



Le positionnement précis de l'antenne filaire est souvent important, en particulier dans les zones de réception FM périphériques.



Commencez votre première recherche par la fenêtre située vers le mât de l'émetteur. Par mauvais temps, la réception peut être limitée.



Ne touchez pas l'antenne filaire pendant la lecture d'une station. Cela pourrait entraîner des interférences de réception et un affaiblissement du son.

23.2 Raccordement à l'alimentation électrique



ATTENTION !

Ne touchez pas la fiche avec des mains mouillées, vous risquez de vous électrocuter !



REMARQUE !

Disposez le câble réseau de manière à ce que personne ne trébuché dessus.

> Brancher la fiche secteur du DIGICLOCK 3 dans une prise de courant (AC 230V ~ 50Hz).

> Avant de brancher l'appareil à une prise murale, assurez-vous que la tension de fonctionnement de l'appareil correspond à la tension du réseau local.



Retirez la fiche de la prise lorsqu'elle n'est pas utilisée. Tirez sur la fiche, pas sur le câble. Débranchez l'appareil avant un orage. Débranchez l'appareil s'il n'est pas utilisé pendant une longue période, par exemple avant

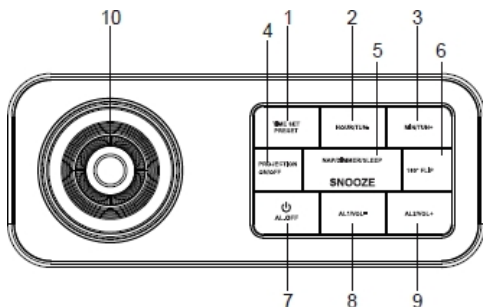
d'entreprendre un long voyage. La chaleur générée pendant le fonctionnement de l'appareil doit être dissipée par une circulation d'air adéquate. Ne couvrez donc pas l'appareil

ni le placer dans une armoire fermée. Veillez à laisser un espace libre d'au moins 10 cm autour de l'appareil.



Le radio-réveil est alimenté par le courant alternatif. Utilisez deux piles de type AAA pour conserver l'heure exacte en cas de coupure de courant. Insérez les piles en respectant la polarité (+/-) indiquée dans le compartiment. Remplacez toutes les piles par des neuves en même temps. Retirez toutes les piles lorsque l'appareil n'est pas utilisé pendant une longue période.

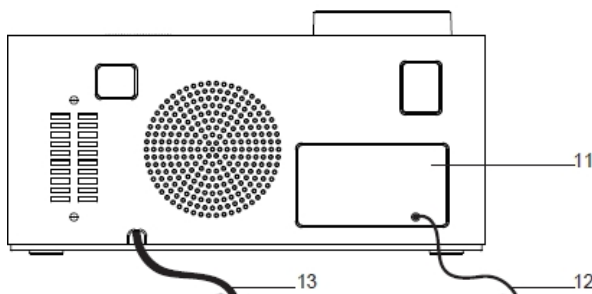
24 Fonctions de l'appareil



1. HEURE RÉGLAGE PRÉRÉGLAGE
2. HOUR/TUN-
3. MIN/TUN+
4. PROJECTION ON/OFF
5. SIESTE/DIMINUTION /SOMMEIL/SNOOZE
6. 180 FLIP
7. AL.OFF
8. AL1/VOL-
9. AL2/VOL+
10. Roue de focalisation



- ouvercle de la batterie
12. Câble d'antenne
 13. Câble d'alimentation



- A. Alarme 1 Buzzer
- B. Alarme 1 Radio
- C. NAP (minuterie)
- D. SOMMEIL
- E. Alarme 2 Buzzer
- F. Alarme 2 Radio

241 Réglage de l'heure correcte

- > Pour régler l'heure correcte, éteignez l'appareil en appuyant sur la touche **AL.OFF (2)**.
- > Appuyez ensuite plus longtemps sur la touche **TIME SET PRESET (1)**.
- > Pour régler l'heure, appuyez sur la touche **HOURL / TUN- (2)**.
- > Pour régler les minutes, utilisez la touche **MIN / TUN+ (3)**.
- > Pour confirmer l'heure réglée, appuyez sur la touche **TIME SET PRESET (1)**.

242 Accord automatique

- > Allumez le radio-réveil à l'aide de la touche **AL.OFF (2)**.
- > Pour lancer la recherche automatique des stations, appuyez plus longtemps sur la touche **HOURL / TUN- (2)** ou **MIN / TUN+ (3)**.
- > Le radio-réveil commence à rechercher automatiquement la bande, et s'arrête à la première station trouvée.

243 Réglage manuel de la radio

- > Pour régler la fréquence de réception correcte, utilisez les touches **HOURL / TUN- (2)** et **MIN / TUN+ (3)**. Chaque fois qu'elles sont actionnées, la fréquence est modifiée de 0,1 MHz.

244 Enregistrer des stations dans les favoris

- > Pour enregistrer une station dans la liste des favoris, appuyez plus longtemps sur la touche TIME SET PRESET (1).
- > Le numéro du programme clignote à l'écran. A l'aide des touches **HOURL / TUN- (2)** ou **MIN / TUN+ (3)**, réglez le numéro souhaité et enregistrez le programme en confirmant avec **TIME SET PRESET (1)**.

245 Appeler un programme à partir de la liste des programmes radio

- > Appuyez sur la touche **TIME SET PRESET (1)**.
- > Chaque pression successive change le numéro du programme favori d'une position vers le haut.

246 Réglage de l'alarme

- > Pour régler l'alarme, éteignez le radio-réveil en appuyant sur la touche **AL.OFF (2)**.
- > Après avoir éteint l'appareil, appuyez sur **AL.1 / VOL- (8)** ou **AL.2 / VOL+ (9)**. Le réglage de l'heure clignotera sur l'écran.
- > Vous pouvez choisir si vous voulez que l'appareil fonctionne en mode pendant l'alarme : Radio ou Buzzer. La LED avec le symbole de la cloche est l'option avec buzzer. Le voyant avec le symbole de la note correspond à l'option radio. Appuyez sur la touche **AL.1 / VOL-**.

(8) ou **AL.2 /VOL+ (9)** pour sélectionner le mode souhaité.

- > Si vous avez déjà sélectionné le mode alarme, vous pouvez maintenant régler l'heure de l'alarme. Appuyez sur **HOURL / TUN- (2)** pour régler et **MIN / TUN+ (3)** pour régler les minutes.
- > Appuyez sur **AL.1 / VOL- (8)** ou **AL.2 / VOL+ (9)** selon que vous avez réglé le numéro d'alarme 1 ou le numéro d'alarme 2 pour enregistrer l'heure de l'alarme.

247 Activation et désactivation de l'alarme

- > Lorsque le radio-réveil est désactivé, vous pouvez choisir de faire fonctionner l'appareil en mode pendant l'alarme : Radio ou Buzzer. Le voyant avec le symbole de la cloche est l'option avec le buzzer. Le voyant avec le symbole de la note correspond à l'option radio. Appuyez sur **AL.1 / VOL- (8)** ou **AL.2 / VOL+ (9)** pour sélectionner le mode souhaité.
- > Pour annuler l'alarme, appuyez sur **AL.1 / VOL- (8)** ou **AL.2 / VOL+ (9)** jusqu'à ce que l'indicateur rouge à côté du symbole de la cloche et de la note disparaisse.
- > Lorsque l'alarme est activée, pour la désactiver, appuyez sur le bouton **AL.OFF (2)**.

248 Fonction Snooze

- > Pendant l'alarme, une pression sur la touche **NAP/DIMMER/SLEEP/SNOOZE (5)** s'éteint pendant 10 minutes. Pendant la période de répétition, la LED située à côté du symbole de la cloche et de la note clignote. **FR**
- > Après 10 minutes, l'alarme retentit à nouveau.
- > Pour éteindre complètement l'alarme, appuyez sur le bouton **AL.OFF (2)**, la LED symbolisant le type d'alarme s'arrête de clignoter.
- > L'alarme se déclenche à nouveau le lendemain à l'heure programmée.

249 Réglage de la minuterie d'extinction

- > La minuterie d'extinction est réglée lorsque le radio-réveil est allumé.
- > En appuyant sur la touche **NAP/DIMMER/SLEEP/SNOOZE (5)**, vous avez la possibilité de modifier l'heure à laquelle l'appareil s'éteint automatiquement.
- > Les réglages suivants sont disponibles : **10, 20, 30, 40, 50, 60, 70, 80, 90 min** et **OFF (arrêt de la minuterie)**.
- > Lorsque la minuterie d'extinction est activée, une LED rouge s'allume sur l'écran de la radio pour indiquer la minuterie.

2410 Modifier le volume

- > Lorsque vous écoutez la radio, appuyez sur **AL.1 / VOL- (8)** pour diminuer le volume.
- > Lorsque vous écoutez la radio, appuyez sur **AL.2 / VOL+ (9)** pour

augmenter le volume.

24.11 Modification de l'intensité du rétroéclairage de l'écran LED

Deux réglages de la luminosité de l'écran sont disponibles.

- > Pour modifier la luminosité, maintenez enfoncée la touche **NAP/DIMMER/SLEEP/SNOOZE (5)**.
- > Appuyer à nouveau sur la touche **NAP/DIMMER/SLEEP/SNOOZE** pendant une période prolongée **(5)** permet de revenir à l'intensité précédente de la LED.

24.12 Projection dans le temps

- > Pour activer la projection de l'heure, appuyez sur le bouton **PROJECTION ON/ OFF (4)**. L'heure sera projetée et sera visible au plafond.
- > Pour ajuster la mise au point de l'heure affichée, veuillez ajuster en conséquence. **Bouton de mise au point (10)**.
- > Une nouvelle pression sur la touche **PROJECTION ON/OFF (4)** éteint la projection de l'écran.

24.13 Fonction FLIP

- > Pour inverser l'heure affichée au plafond de 180° pendant la projection, appuyez sur le bouton **180 FLIP (6)**.

3 Spécifications

Gamme de fréquences : FM 87,5-108 MHz
Source d'alimentation : AC 230V ~ 50 Hz, 5W
Affichage LED : 1,2"
Dimensions de l'appareil : 155x63x79mm
Piles : 2x AAA pour la sauvegarde de la mémoire*
Puissance de sortie : 0,5W
Liste des stations favorites : 10 positions
Fonction de projection du temps : OUI
Fonction FLIP : Oui
Source lumineuse du projecteur : LED

REMARQUE : Les piles ne servent qu'à conserver la mémoire de l'appareil en cas de panne de courant (par exemple, la mémoire de l'heure). Les piles ne sont pas incluses.

4 Fabricant

TechniSat Digital Sp. z o.o.
ul. Poznańska 2,
Siemianice 55-120 Oborniki
Śląskie

Bureau du service clientèle
tel : +48 71 310 41 41, e-mail : biuro@technisat.com

Ouvert du lundi au vendredi de : 8:00-16:00

Használati utasítás

DIGICLOCK 3

Rádiós ébresztőóra LED kijelzővel és kivetítővel



TechniSat

1 Biztonsági utasítások

1.1 Előszó

Kedves vásárlóink!

Köszönjük, hogy a TechniSat rádiós ébresztőórát választotta.

Ez a kezelési útmutató arra szolgál, hogy segítsen Önnek megismerkedni az új készülék funkcióival és optimálisan használni azokat. Segítségével biztonságosan és rendeltetésszerűen használhatja a rádiós ébresztőórát. Mindenkinek szól, aki a készüléket beszereli, működteti, tisztítja vagy ártalmatlanítja.

A használati utasítást a későbbi használatra biztonságos helyen őrizze meg.

TechniSat csapat

1.2 Használt szimbólumok és jelek

Ebben a kézikönyvben:



Olyan biztonsági utasítást jelez, amelynek be nem tartása esetén súlyos sérülést vagy halált okozhat. Tartsa be a következő jelzőszavakat:

VESZÉLY - Súlyos, halált okozó sérülés.

FIGYELMEZTETÉS - Súlyos személyi sérülés, amely halálhoz vezethet.

MEGJEGYZÉS - Sérülések.



A készülék meghibásodásának, adatvesztésének/visszaélésszerű használatának vagy a nem szándékos működésnek az elkerülése érdekében betartandó megjegyzést jelzi. A készülék további funkcióit is ismerteti.



Figyelmeztetés az elektromos feszültségre. Az áramütés elkerülése érdekében tartsa be az összes biztonsági előírást. Soha ne nyissa ki a készüléket.

A készüléken:



Beltéri használat - az ezzel a szimbólummal jelölt készülékek csak beltéri használatra alkalmasak.



Az Ön készüléke CE-jelöléssel rendelkezik, és megfelel az összes előírt uniós szabványoknak.



Ezt a készüléket kiváló minőségű, újrahasznosítható anyagok és alkatrészek felhasználásával tervezték és gyártották. Az áthúzott kerek kuka szimbóluma azt jelzi, hogy a termék az Európai Parlament irányelvének megfelelően szelektív gyűjtés alá tartozik.

és a Tanács 2012/19/EU, valamint a 2006/66/EK európai parlamenti és tanácsi irányelvvel összhangban, és tájékoztat arról, hogy az elektromos és elektronikus berendezések, valamint az elemek és akkumulátorok hasznos élettartamuk lejártá után nem ártalmatlaníthatók az elektromos és elektronikus berendezésekkel együtt.

egyéb háztartási hulladék. A felhasználó köteles az elektromos és elektronikus berendezések, valamint elemek és akkumulátorok hulladékát az ilyen hulladékok gyűjtésére szolgáló rendszert létrehozó gyűjtőnek átadni, beleértve a megfelelő üzletet, helyi gyűjtőpontot vagy önkormányzati egységet. A hulladékkészülékek káros hatással lehetnek a környezetre és az emberi egészségre, mivel potenciálisan veszélyes anyagokat, keverékeket és összetevőket tartalmazhatnak. A háztartások fontos szerepet játszanak a hulladék berendezések újrahasználatához és hasznosításához, beleértve az újrafeldolgozást is, való hozzájárulásban. Ebben a szakaszban olyan attitűdök alakulnak ki, amelyek befolyásolják a közjó, azaz a tiszta környezet megőrzését. A háztartások egyben a kisberendezések egyik legnagyobb felhasználói, és ezen berendezések ésszerű kezelése befolyásolja a másodlagos nyersanyagok hasznosítását. A termék nem megfelelő ártalmatlanítása esetén a nemzeti jogszabályoknak megfelelően szankciókat lehet kiszabni. A termék életciklusának végén nem szabad ártalmatlanítani a szokásos háztartási hulladéktól eltérő szemét, hanem az elektromos és elektronikus berendezések hulladékgyűjtő pontjára. Ezt a terméken, a használati útmutatóban vagy a csomagoláson található szimbólum jelzi. Az anyagok a címke szerint újrahasznosíthatók. Régi készülékeinek újrafelhasználásával, újrahasznosításával vagy más módon történő újrahasznosításával Ön fontos hozzájárulást nyújt a környezetvédelemhez.

13 Cél

A TechniSat DIGICLOCK 3 az FM rádióadások vételére szolgál. A készüléket magánhasználatra szánják, kereskedelmi célokra nem alkalmas.

14 Biztonságos kezelés

Tartsa be az alábbi utasításokat a biztonsági kockázatok minimalizálása, a berendezés károsodásának elkerülése és a környezetvédelemhez való hozzájárulás érdekében.

Olvassa el figyelmesen az összes biztonsági utasítást, és őrizze meg azokat a későbbi használatra. Mindig tartsa be az ebben a kézikönyvben és a készülék hátoldalán található összes figyelmeztetést és utasítást.



VESZÉLY!

Soha ne nyissa ki a készüléket!

Az élő alkatrészek megérintése életveszélyes!



FIGYELEM!

Fulladásveszély! Ne hagyja a csomagolást és annak részeit gyermekek felügyelete alatt. Fulladásveszély a fóliától és más csomagolóanyagoktól!



A készülék helyes használatának biztosítása, valamint a készülék károsodásának és a személyi sérülések elkerülése érdekében az alábbi utasításokat be kell tartani.

- Ne javítsa meg a készüléket saját maga. A javításokat csak képzett szakemberek végezhetik. Írjon a címre.

ügyfélszolgálati központjaink.

- A készüléket csak a számára előírt környezeti feltételek mellett szabad üzemeltetni.
- Ne tegye ki a készüléket csöpögő vagy fröccsenő víznek. Ha víz kerül a készülékbe, kapcsolja ki azt, és értesítse a szervizt.
- Ne tegye ki a készüléket olyan hőforrásoknak, amelyek a normál használat mellett is felmelegítik a készüléket.
- A készülék észlelhető hibája, szag vagy füst, jelentős meghibásodás vagy a készülékház sérülése esetén azonnal forduljon a szervizközponthoz.
- A készülék csak a megadott hálózati feszültségen üzemeltethető. Soha ne próbálja meg a készüléket más feszültségen üzemeltetni.
- Ha a készülék sérült, nem szabad üzemeltetni.
- Ne használja a készüléket fürdőkádak, zuhanyzók, úszómedencék vagy folyó/csobogó víz közelében. Fennáll az áramütés és/vagy a berendezés károsodásának veszélye.
- Idegen tárgyak, pl. tűk, érmék stb. nem kerülhetnek a készülékbe. Ne érintse a csatlakozó érintkezőket fémtárgyakkal vagy ujjakkal. Ez rövidzárlatot okozhat.
- A készüléket nem olyan személyek (beleértve a gyermekeket is) használhatják, akik csökkent fizikai, érzékszervi vagy szellemi képességekkel rendelkeznek, vagy nem rendelkeznek megfelelő tapasztalattal és/vagy ismeretekkel, kivéve, ha a készülék használatára vonatkozó felügyeletet vagy utasítást kaptak a biztonságukért felelős személytől.
- Tilos változtatásokat végezni a készüléken.
- Soha ne nézzen közvetlenül vagy optikai eszközökkel a kivetítő fénysugarába. Látáskárosodás veszélye!

1.4.1 Jogi iránymutatások



A TechniSat ezúton kijelenti, hogy a DIGICLOCK 3 (76- 4903-00) típusú rádióeszköz megfelel a 2014/53/EU irányelvnek és a RoHS-irányelvnek. Az EU-megfelelőségi nyilatkozat teljes szövege a következő webcímen érhető el:

[pnh://konf.tsat.de/?ID=22886](http://konf.tsat.de/?ID=22886)



A TechniSat nem vállal felelősséget a termék külső hatások, kopás vagy nem megfelelő kezelés, illetéktelen javítások, módosítások vagy balesetek által okozott károkért.



A változtatások és a nyomtatási hibák függvényében. Másolás és sokszorosítás

csak a kiadó engedélyével. A kézikönyv legfrissebb változata PDF formátumban a TechniSat honlapjának letöltési területén, a www.technisat.pl címen érhető el.

1.42 Szolgáltatási információk



Ez a termék minőségileg tesztelt, és a vásárlástól számított 24 hónapos törvényes jótállási idővel rendelkezik. Kérjük, hogy a vásárlást igazoló bizonylatot őrizze meg. Garanciális igény esetén a közvetlenül a gyártóhoz történő postázás költségeit a vásárló fizeti.



Ha kérdései és információi vannak, vagy ha problémája van ezzel a készülékkel, műszaki forródrótunk a következő elérhetőségeken áll rendelkezésére: hétfő. - péntekig, 8:00 és 16:00 óra között a következő telefonszámon: +71 310 41 48.



A garanciavállaló a megadott garancia keretein belül vállalja, hogy saját költségén eltávolítja a termék esetleges hibáit. A hiba elhárítása a hibás termék új, hibátlan termékre történő cseréjével vagy javításával történik.



A garancia igénybevételéhez a vásárló köteles a termék hibáját a termék megvásárlásának helyén lévő értékesítési helyen bejelenteni, és a következőket tenni

a hibás terméket oda szállítja. A terméket a következők szerint kell szállítani teljes.



A garancia nem terjed ki a terméknek a vásárló által okozott vagy a következőkből eredő hibáira:

- a terméket a használati utasításnak nem megfelelő módon használja vagy szereli fel,
- a készülék nem megfelelő tárolása vagy karbantartása,
- a terméken illetéktelen személyek által végzett javítások vagy módosítások,
- folyadékok vagy idegen testek behatolása,
- villámcsapás és túlfeszültség



A garancia rendelkezései nem zárják ki, nem korlátozzák és nem függesztik fel a vásárlók (fogyasztók) általánosan alkalmazandó jog szerinti jogait (szavatosság).



A Termékkel kapcsolatos részletes információk, beleértve a garanciális eljárás szabályait és eljárásait, valamint az RMA-szám kiosztását, a következő elérhetőségeken szerezhetők be

munkanapokon a 71 310 41 48-as telefonszámon vagy a serwis@technisat.com e-mail címen,

8.00-16.00. Szolgáltatási kérelmek ON-LINE a www.serwis.technisat.com címen

keresztül.

2 A készülék leírása

21 A készülék tartalma

Kérjük, ellenőrizze, hogy a következők benne vannak-e: 1x TechniSat DIGICLOCK 3
1x felhasználói kézikönyv

22 Különleges jellemzők

A rádió a következő különleges funkciókkal rendelkezik:

- FM rádió vétele.
- UKW vételi tartomány 87,5-108 MHz (analóg).
- LED kijelző.
- RMS hangteljesítmény 0,5W.
- 10 programmemória az FM-állomásokhoz.
- LED kivetítő FLIP funkcióval

23 A készülék működésre való előkészítése

23.1 Drótantenna felállítása

A fogadott állomások száma és minősége a telepítési hely vételi körülményeitől függ. Drótantennával kiváló vétel érhető el.

> Helyezze el a drótantennát hosszirányban.



A vezetékes antenna pontos elhelyezése gyakran fontos, különösen a perifériás FM-vételi területeken.



Kezdje az első keresést az adótorony felé néző ablaknál.
Rossz időjárás esetén a vétel korlátozott lehet.



Ne érintse meg a vezetékes antennát az állomás lejátszása közben. Ez vételi zavarokhoz és a hang elhalványulásához vezethet.

23.2 Csatlakozás a tápegységhez



FIGYELMEZTETÉS!

Ne érintse meg a dugót nedves kézzel, áramütés veszélye!



MEGJEGYZÉS!

Rendezze el a hálózati kábelt úgy, hogy senki ne botoljon bele.

- > Dugja a DIGICLOCK 3 hálózati csatlakozóját egy hálózati aljzatba (AC 230V ~ 50Hz).
- > Mielőtt a készüléket csatlakoztatja a fali aljzathoz, győződjön meg arról, hogy a készülék üzemi feszültsége megfelel a helyi hálózati feszültségnek.



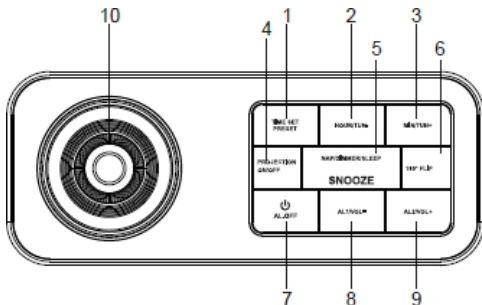
Húzza ki a dugót a konnektorból, ha nem használja. A dugót húzza ki, ne a kábelt. Vihar előtt húzza ki a készüléket a konnektorból. Húzza ki a készüléket, ha hosszabb ideig nem használja, például hosszú utazásra indulás előtt. A működés közben keletkező hőt megfelelő légkeringetéssel kell elvezetni. Ezért ne takarja le a készüléket

és ne tegye zárt szekrénybe. Biztosítson legalább 10 cm szabad helyet a készülék körül.



A rádiós ébresztőóra váltakozó árammal működik. Két AAA méretű elemet használjon a pontos idő megőrzéséhez hálózati áramkimaradás esetén. Helyezze be az elemeket az elemtartóban lévő polaritásjelzéseknek (+/-) megfelelően. Egyszerre cserélje ki az összes elemet újakra. Vegye ki az összes elemet, ha a készüléket hosszabb ideig nem használja.

24 Készülékfunkciók

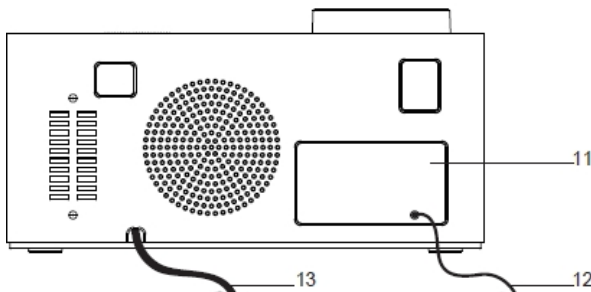


1. IDŐBEÁLLÍTÁS ELŐRE BEÁLLÍTOTT
2. HOUR/TUN-
3. MIN/TUN+
4. VETÍTÉS BE/KI
5. SZUNYÓKÁLÁS/DIMMER/ALVÁS/SZUNDI
6. 180 FLIP
7. AL.OFF
8. AL1/VOL-
9. AL2/VOL+
10. Fókuszkerék



11. Akkumulátorfedél
12. Antenna kábel
13. Tápkábel

- A. Riasztás 1 csengőhang
- B. Riasztás 1 Rádió
- C. NAP (időzítő)
- D. SLEEP
- E. Riasztás 2 Csengő
- F. Riasztás 2 Rádió



241 A helyes idő beállítása

- > A helyes idő beállításához kapcsolja ki a készüléket az **AL.OFF** gomb **(2)** megnyomásával.
- > Ezután nyomja meg hosszabb ideig a **TIME SET PRESET** gombot **(1)**.
- > Az idő beállításához nyomja meg a **HOURL / TUN-** gombot **(2)**.
- > A percek beállításához használja a **MIN / TUN+** gombot **(3)**.
- > A beállított idő megerősítéséhez nyomja meg a **TIME SET PRESET** gombot **(1)**.

242 Automatikus hangolás

- > Kapcsolja be a rádiós ébresztőórát az **AL.OFF** gombbal **(2)**.
- > Az automatikus állomáskeresés elindításához nyomja meg hosszabb ideig a **HOURL / TUN-** **(2)** vagy a **MIN / TUN+** **(3)** gombot.
- > A rádiós ébresztőóra automatikusan keresni kezdi a sávot, amely az első megtalált állomásnál megáll.

243 Kézi rádióhangolás

- > A megfelelő vételi frekvencia beállításához használja a **HOURL / TUN-** **(2)** és **MIN / TUN+** **(3)** gombokat. Minden egyes megnyomásukkal a frekvencia 0,1 MHz-cel változik.

244 Állomások mentése a kedvencek közé

- > Egy állomás kedvencek listájára való mentéséhez nyomja meg hosszabb ideig a **TIME SET PRESET** gombot **(1)**.
- > A program száma villogni fog a képernyőn. A **HOURL / TUN-** **(2)** vagy **MIN / TUN+** **(3)** gombokkal állítsa be a kívánt számot, és a **TIME SET PRESET** **(1)** gomb megnyomásával mentse el a programot.

245 Műsor hívása a rádióműsorok listájából

- > Nyomja meg a **TIME SET PRESET** gombot **(1)**.
- > Minden egyes egymást követő megnyomással a kedvenc program száma egy pozícióval felfelé változik.

246 Riasztás beállítása

- > Az ébresztés beállításához kapcsolja ki a rádiós ébresztőórát a gomb megnyomásával. **AL.OFF** **(2)**.
- > A készülék kikapcsolása után nyomja meg az **AL.1 / VOL-** **(8)** vagy **AL.2 / VOL+** **(9)** gombot. A kijelzőn villogni fog az időbeállítás.
- > Kiválaszthatja, hogy a készülék a riasztás ideje alatt üzemmódban működjön-e: Rádió vagy csengő. A csengőszimbólummal ellátott LED a csengővel történő opciót jelenti. A cetti szimbólummal ellátott LED a rádióval történő opciót jelenti. Nyomja meg az **AL.1 / VOL-** gombot.

(8) vagy **AL.2 /VOL+ (9) a** kívánt üzemmód kiválasztásához.

- > Ha már kiválasztotta az ébresztési módot, akkor most beállíthatja az ébresztési időt. Nyomja meg a **hour / TUN- (2) gombot** a beállításához és a **MIN / TUN+ (3) gombot** a percek beállításához.
- > Nyomja meg az **AL.1 / VOL- (8)** vagy az **AL.2 / VOL+ (9) gombot** attól függően, hogy az 1-es vagy a 2-es riasztási számot állította be az ébresztési idő elmentéséhez.

247 Riasztás aktiválása és deaktiválása

- > Ha a rádiós ébresztőóra ki van kapcsolva, kiválaszthatja, hogy a készülék az ébresztés alatt üzemmódban működjön-e: Rádió vagy csengő. A csengő szimbólummal ellátott LED a csengővel való opciót jelenti. A cetli szimbólummal jelzett LED a rádióval való opció. Nyomja meg az **AL.1 / VOL- (8)** vagy az **AL.2 / VOL+ (9)** gombot a kívánt üzemmód kiválasztásához.
- > A riasztás törléséhez nyomja meg az **AL.1 / VOL- (8)** vagy az **AL.2 / VOL+ (9)** gombot, amíg a csengő és a jegyzet szimbólum melletti piros kijelző el nem tűnik.
- > Ha a riasztás be van kapcsolva, a kikapcsoláshoz nyomja meg a gombot **AL.OFF (2)**.

248 Szundi funkció

- > Az ébresztés alatt a **NAP/DIMMER/SLEEP/SNOOZE** gomb megnyomásával **(5)** 10 percre kikapcsol. A szundi időszak alatt a csengő és a jegyzet szimbólum mellett található LED villog.
- > 10 perc elteltével a riasztás ismét megszólal.
- > A riasztás teljes kikapcsolásához nyomja meg az **AL.OFF** gombot **(2)**, a riasztás típusát jelző LED megszűnik villogni.
- > A riasztás a következő napon a beállított időpontban ismét megszólal.

249 A kikapcsolási időzítő beállítása

- > A kikapcsolási időzítő a rádiós ébresztőóra bekapcsolásakor áll be.
- > A **NAP/DIMMER/SLEEP/SNOOZE** gomb **(5)** megnyomásával megváltoztathatja azt az időt, amely után a készülék automatikusan kikapcsol.
- > A következő beállítások állnak rendelkezésre: **10, 20, 30, 40, 50, 60, 70, 80, 90 perc.** és **OFF (időzítő ki)**.
- > A kikapcsolási időzítő aktiválásakor a rádió képernyőjén egy piros LED világít az időzítő jelzésére.

2410 A hangerő megváltoztatása

- > Rádióhallgatás közben nyomja meg az **AL.1 / VOL- (8) gombot** a hangerő csökkentéséhez.

- > Rádióhallgatás közben nyomja meg az **AL.2 / VOL+ (9) gombot** a hangerő növeléséhez.

24.11 A LED kijelző háttérvilágítás intenzitásának megváltoztatása

A képernyő fényereje kétféleképpen állítható.

- > A fényerő megváltoztatásához nyomja meg és tartsa lenyomva a **NAP/DIMMER/ SLEEP/SNOOZE** gombot **(5)**.
- > **A NAP/DIMMER/SLEEP/SNOOZE** gomb hosszabb ideig történő ismételt megnyomása **(5)** visszaáll a korábbi LED intenzitás.

24.12 Időbeli kivetítés

- > Az időprojekció aktiválásához nyomja meg a **PROJECTION ON/ OFF** gombot **(4)**. Az idő kivetítésre kerül és láthatóvá válik a mennyezeten.
 - > A megjelenített idő fókuszának beállításához, kérjük, állítsa be a megfelelő beállításokat.
- > **Fókuszgomb (10)**.
- > **A PROJECTION ON/OFF** gomb **(4)** ismételt megnyomásával a képernyő kivetítése kikapcsol.

24.13 FLIP funkció

- > Ha a vetítés során a mennyezeten megjelenő időt 180o -kal meg akarja fordítani, nyomja meg a **180 FLIP** gombot **(6)**.

3 Specifikáció

Frekvenciatartomány: FM 87,5-108 MHz

Tápfeszültségforrás: FM 87,5-108 MHz:

AC 230V ~ 50 Hz, 5W LED kijelző: 1,2"

Készülék méretei: Akkumulátorok:

155x63x79mm: Kimeneti teljesítmény: 0,5W

Kedvenc állomások listája: FLIP

funkció: igen

Kivetítő fényforrás: LED

MEGJEGYZÉS: Az akkumulátor csak a készülék memóriájának fenntartására szolgál áramkimaradás esetén (pl. időmemória). Az akkumulátorok nem tartoznak a készülékhez.

4 Gyártó

TechniSat Digital Sp. z o.o.
ul. Poznańska 2,
Siemianice 55-120 Oborniki
Śląskie

Ügyfélszolgálati iroda
tel: +48 71 310 41 41, e-mail: biuro@technisat.com
Nytva hétfőtől péntekig: 8:00-16:00

Naudojimo instrukcijos

DIGICLOCK 3

Radijo žadintuvas su LED ekranu ir projektoriumi



TechniSat

1 Saugos instrukcijos

1.1 Įžanga

Gerbiami klientai,

Dėkojame, kad pasirinkote "TechniSat" radijo žadintuvą.

Šios naudojimo instrukcijos skirtos padėti susipažinti su naujojo prietaiso funkcijomis ir optimaliai jomis naudotis. Ji padės jums saugiai ir pagal paskirtį naudoti radijo žadintuvą. Ji skirta visiems, kurie montuoja, eksploatuoja, valo ar šalina prietaisą. Saugokite naudojimo instrukciją saugioje vietoje, kad galėtumėte su ja susipažinti ateityje.

"TechniSat" komanda

1.2 Naudojami simboliai ir žymenys

Šiame vadove:



Žymi saugos instrukciją, kurios nesilaikymas gali sukelti rimtų sužalojimų arba mirtį. Laikykitės šių signalinių žodžių:

PAVOJUS - sunkus sužalojimas, galintis sukelti mirtį.

ĮSPĖJIMAS - sunkus asmens sužalojimas, galintis sukelti mirtį.

PASTABA - Traumos.



Jame nurodomas atsargumo ženklas, kurio reikia laikytis, kad būtų išvengta prietaiso veikimo sutrikimų, duomenų praradimo ir (arba) netinkamo naudojimo arba nenumatyto veikimo. Jame taip pat aprašomos tolesnės prietaiso funkcijos.



Įspėjimas dėl elektros įtampos. Kad išvengtumėte elektros smūgio, laikykitės visų saugos instrukcijų. Niekada neatidarykite prietaiso.

Prietaise:



Naudojimas patalpose - šiuo simboliu pažymėti prietaisai tinkami naudoti tik patalpose.



Jūsų prietaisas pažymėtas CE ženklu ir atitinka visus reikiamus ES standartus.



Šis prietaisas suprojektuotas ir pagamintas naudojant aukštos kokybės medžiagas ir komponentus, kuriuos galima perdirbti. Perbrauktos šiukšliadėžės su ratukais simbolis reiškia, kad gaminys turi būti surenkamas atskirai pagal Europos Parlamento direktyvą ir Tarybos 2012/19/ES bei pagal Europos Parlamento ir Tarybos direktyvą 2006/66/EB ir informuoja, kad pasibaigus elektros ir elektroninės įrangos, baterijų ir akumuliatorių eksploatavimo laikui, jų negalima šalinti su

kitas buitines atliekas. Naudotojas privalo jas perduoti elektros ir elektroninės įrangos, baterijų ir akumuliatorių atliekų surinkėjui, sukūrusiam tokių atliekų surinkimo sistemą, įskaitant atitinkamą parduotuvę, vietinį surinkimo punktą ar savivaldybės padalinį. Įrangos atliekos gali turėti žalingą poveikį aplinkai ir žmonių sveikatai dėl galimai jose esančių pavojingų medžiagų, mišinių ir komponentų. Namų ūkis atlieka svarbų vaidmenį prisidedamas prie pakartotinio įrangos atliekų naudojimo ir naudojimo, įskaitant perdirbimą. Šiame etape formuojasi nuostatos, darančios įtaką bendrojo gėrio - švarios aplinkos - išsaugojimui. Namų ūkiai taip pat yra vieni didžiausių smulkios įrangos naudotojų, o racionalus šios įrangos tvarkymas turi įtakos antrinių žaliavų gavybai. Netinkamai utilizuojant šį gaminį, gali būti taikomos sankcijos pagal nacionalinius teisės aktus Pasibaigus gaminio gyvavimo ciklui, jis neturėtų būti šalinamas šiukšles iš įprastų buitinių atliekų, bet į elektros ir elektroninės įrangos atliekų surinkimo punktą. Tai nurodyta simboliu ant gaminio, naudotojo vadovo arba pakuotės. Medžiagos perdirbamos pagal etiketėje nurodytą informaciją. Pakartotinai naudodami, perdirbdami ar kitaip utilizuodami savo seną įrangą, svariai prisidedate prie aplinkos apsaugos.

1.3 Tikslas

"TechniSat DIGICLOCK 3" skirtas FM radijo transliacijoms priimti. Prietaisas skirtas asmeniniam naudojimui ir netinka komerciniams tikslams.

1.4 Saugus tvarkymas

Laikykitės toliau pateiktų nurodymų, kad sumažintumėte saugos riziką, išvengtumėte įrangos sugadinimo ir prisidėtumėte prie aplinkos apsaugos. Atidžiai perskaitykite visas saugos instrukcijas ir išsaugokite jas ateityje. Visada laikykitės visų įspėjimų ir nurodymų, pateiktų šiame vadove ir prietaiso galinėje pusėje.



PAVOJUS!

Niekada neatidarykite prietaiso!
Prisilietimas prie gyvų komponentų kelia pavojų gyvybei!



ĮSPĖJIMAS!

Pavojus uždusti! Nepalikite pakuotės ir jos dalių vaikams. Pavojus uždusti nuo folijos ir kitų pakavimo medžiagų!



Siekiant užtikrinti tinkamą prietaiso naudojimą ir išvengti prietaiso sugadinimo bei sužalojimų, būtina laikytis visų toliau pateiktų nurodymų.

- Neremontuokite prietaiso patys. Remonto darbus gali atlikti tik apmokyti specialistai. Kreipkitės į

mūsų klientų aptarnavimo centruose.

- Prietaisas turi būti naudojamas tik jam nurodytomis aplinkos sąlygomis.
- Nelaikykite prietaiso ant lašančio ar purškiamo vandens. Jei į prietaisą pateko vandens, išjunkite jį ir praneškite apie tai aptarnavimo skyriui.
- Nelaikykite įrenginio prie šilumos šaltinių, kurie, be įprasto naudojimo, įkaitina įrenginį.
- Pastebėję pastebimą prietaiso defektą, kvapą ar dūmus, didelius gedimus ar korpuso pažeidimus, nedelsdami kreipkitės į techninės priežiūros centrą.
- Prietaisą galima naudoti tik esant nurodytai tinklo įtampai. Niekada nebandykite įrenginio naudoti esant kitokiai įtampai.
- Jei įrenginys pažeistas, jo eksploatuoti negalima.
- Nenaudokite įrenginio šalia vonių, dušų, baseinų ar tekančio ir (arba) trykštančio vandens. Kyla elektros smūgio ir (arba) įrangos sugadinimo pavojus.
- Į prietaisą negali patekti pašalinių daiktų, pvz., adatų, monetų ir pan. Nelieskite jungiamųjų kontaktų metaliniais daiktais ar pirštais. Tai gali sukelti trumpąjį jungimą.
- Prietaisas neskirtas naudoti asmenims (įskaitant vaikus), kurių fiziniai, jutiminiai ar protiniai gebėjimai yra riboti arba kurie neturi pakankamai patirties ir (arba) žinių, nebent juos prižiūrėtų ar instruktuoję, kaip naudotis prietaisu, asmuo, atsakingas už jų saugą.
- Draudžiama atlikti prietaiso pakeitimus.
- Niekada nežiūrėkite tiesiai arba optiniais prietaisais į projektoriaus šviesos spindulį. Rizikuojate pakenkti regėjimui!

1.41 Teisinės gairės



"TechniSat" pareiškia, kad DIGICLOCK 3 (76- 4903-00) tipo radijo įrenginys atitinka Direktyvą 2014/53/ES ir RoHS. Visą ES atitikties deklaracijos tekstą galima rasti šiuo interneto adresu:

[pnh://konf.tsat.de/?ID=22886](http://konf.tsat.de/?ID=22886)



"TechniSat" neatsako už gaminio sugadinimą dėl išorinio poveikio, nusidėvėjimo ar netinkamo naudojimo, neleistino remonto, modifikavimo ar nelaimingų atsitikimų.



Gali būti pakeitimų ir spausdinimo klaidų. Kopijavimas ir dauginimas

tik leidėjui leidus. Naujausią vadovo versiją PDF formatu galima rasti "TechniSat" tinklalapio atsiuntimo srityje adresu www.technisat.pl.

1.42 Paslaugų informacija



Šis gaminys yra patikrintas ir jam suteikiama 24 mėnesių garantija nuo įsigijimo datos. Saugokite sąskaitos faktūros kvitą kaip pirkimo įrodymą. Garantinės pretenzijos atveju pašto išlaidas tiesiogiai gamintojui apmoka klientas.



Jei turite klausimų ir informacijos arba iškiltų problemų dėl šio prietaiso, mūsų techninė karštoji telefono linija veikia: pirmadieniais. - nuo 8.00 iki 16.00 val. telefono numeriu: +71 310 41 48.



Garantas, neviršydamas suteiktos garantijos, įsipareigoja savo sąskaita pašalinti visus gaminio defektus. Defektai šalinami pakeičiant sugedusį gaminį nauju, be defektų, arba jį remontuojant.



Norėdamas pasinaudoti garantija, pirkėjas privalo pranešti apie gaminio defektus pardavimo vietoje, kurioje buvo įsigytas gaminys, ir ten pristatyti sugedusį gaminį. Produktas turėtų būti pristatytas užbaigti.



Garantija netaikoma gaminio defektams, atsiradusiems dėl pirkėjo kaltės arba dėl:

- naudoti ar montuoti gaminį nesilaikant naudojimo instrukcijų,
- netinkamas prietaiso laikymas ar priežiūra,
- neįgalioti asmenys atlieka gaminio remontą ar modifikavimą,
- skysčių ar svetimkūnių patekimo,
- žaibo smūgiai ir elektros linijų viršįtampiai.



Garantijos nuostatos nepanaikina, neapriboja ir nesustabdo pirkėjų (vartotojų) teisių pagal visuotinai taikomus įstatymus (garantija).



Norint gauti išsamią informaciją apie gaminį, įskaitant garantijos procedūros taisykles ir procedūras, RMA numerio suteikimą, galima telefonu 71 310 41 48 arba el. paštu serwis@technisat.com, darbo dienomis, Nuo 8 iki 16 val. **Paslaugų užklauskos internetu per www.serwis.technisat.com.**

2 Įrenginio aprašymas

2.1 Įrenginio turinys

Patikrinkite, ar įtraukti šie elementai: 1x
TechniSat DIGICLOCK 3
1x naudotojo vadovas

2.2 Specialiosios funkcijos

Radijas turi šias specialiąsias funkcijas:

- FM radijo priėmimas.
- UKW priėmimo diapazonas 87,5-108 MHz (analoginis).
- LED ekranas.
- Vidutinė kvadratinė garso galia 0,5 W.
- 10 FM stočių programų atmintis.
- LED projektorius su FLIP funkcija

2.3 Įrenginio paruošimas darbui

2.3.1 Laidinės antenos įrengimas

Priimamų stočių skaičius ir kokybė priklauso nuo priėmimo sąlygų įrengimo vietoje. Puikus priėmimas pasiekiamas naudojant laidinę anteną.

> Padėkite vielinę anteną išilgai.



Dažnai svarbu tiksliai nustatyti laidinės antenos padėtį, ypač periferinėse FM priėmimo zonose.



Pirmąją paiešką pradėkite prie lango, nukreipto į siųstuvo stiebą. Esant blogoms oro sąlygoms, priėmimas gali būti ribotas.



Stoties atkūrimo metu nelieskite laidinės antenos. Dėl to gali atsirasti priėmimo trukdžių ir garsas gali išblėsti.

2.3.2 Prijungimas prie maitinimo šaltinio



ĮSPĖJIMAS!

Nelieskite kištuko drėgnomis rankomis, gresia elektros smūgis!



DĖMESIO!

Maitinimo kabelį nutieskite taip, kad niekas ant jo neužkliūtų.

> DIGICLOCK 3 kištuką įkiškite į elektros tinklo lizdą (AC 230 V ~ 50 Hz).

> Prieš prijungdami prietaisą prie sieninio lizdo, įsitikinkite, kad prietaiso darbinė įtampa atitinka vietinę elektros tinklo įtampą.



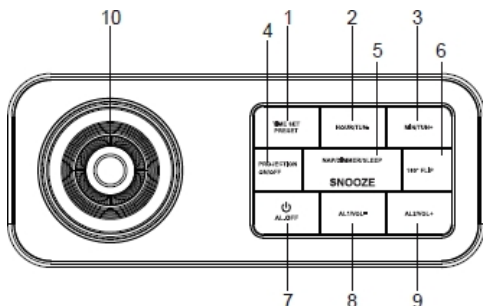
Kai nenaudojate, ištraukite kištuką iš lizdo. Traukite kištuką, o ne kabelį. Prieš audrą ištraukite prietaiso kištukinį lizdą. Atjunkite prietaisą nuo elektros tinklo, jei prietaisas nebus naudojamas ilgą laiką, pavyzdžiui, prieš išvykdami į ilgą kelionę. Eksploatacijos metu susidaranti šiluma turi būti išsklaidoma tinkamai cirkuliuojant orui. Todėl neuždenkite prietaiso

taip pat nedėkite jo į uždara spintelę. Užtikrinkite, kad aplink prietaisą liktų bent 10 cm laisvos erdvės.



Radio žadintuvą maitina kintamoji srovė. Naudokite dvi AAA dydžio baterijas, kad išlaikytumėte tiksli laiką, kai dingsta elektros srovė. Įdėkite baterijas, atsižvelgdami į poliškumo ženklus (+/-), esančius baterijų skyriuje. Vienu metu visas baterijas pakeiskite naujomis. Išimkite visas baterijas, kai prietaisas nebus naudojamas ilgą laiką.

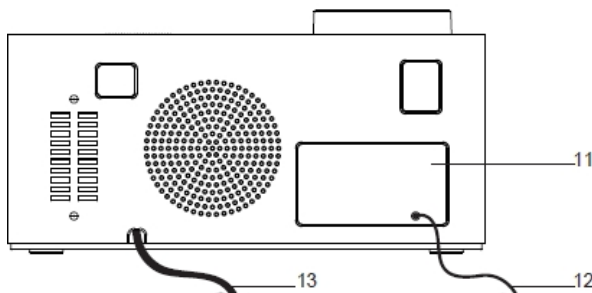
24 Įrenginio funkcijos



1. IŠ ANKSTO NUSTATYTAS LAIKAS
2. HOUR/TUN-
3. MIN/TUN+
4. PROJEKCIJOS ĮJUNGIMAS / IŠJUNGIMAS
5. SNAUDIMAS / IŠJUNGIMAS / MIEGAS / SNAUDIMAS
6. 180 FLIP
7. AL.OFF
8. AL1/VOL-
9. AL2/VOL+
10. "Focus" ratas



- 11. Simuliatoriaus dangtelis
- 12. Antenos kabelis
- 13. Maitinimo kabelis



- A. 1 aliarmo signalo garsinis signalas
- B. 1 pavojaus signalas Radijas
- C. NAP (laikmatis)
- D. SLEEP
- E. Aliarmo 2 garsinis signalas
- F. Aliarmas 2 Radijas

241 Teisingo laiko nustatymas

- > Norėdami nustatyti teisingą laiką, išjunkite įrenginį paspausdami **AL.OFF** mygtuką **(2)**.
- > Tada paspauskite **TIME SET PRESET** mygtuką **(1)** ilgiau.
- > Norėdami nustatyti laiką, paspauskite mygtuką **HOURL / TUN-** **(2)**.
- > Norėdami nustatyti minutes, naudokite mygtuką **MIN / TUN+** **(3)**.
- > Norėdami patvirtinti nustatytą laiką, paspauskite mygtuką **TIME SET PRESET (1)**.

242 Automatinis derinimas

- > Radijo žadintuvą įjunkite mygtuku **AL.OFF (2)**.
- > Norėdami paleisti automatinę stočių paiešką, ilgiau paspauskite **HOURL / TUN-** **(2)** arba **MIN / TUN+** **(3)** mygtuką.
- > Radijo žadintuvas pradės automatiškai ieškoti radijo dažnių juostoje, kuri sustos ties pirmąja rasta stotimi.

243 Rankinis radijo derinimas

- > Norėdami nustatyti tinkamą priėmimo dažnį, naudokite mygtukus **HOURL / TUN-** **(2)** ir **MIN / TUN+** **(3)**. Kiekvieną kartą juos paspaudus dažnis pakeičiamas 0,1 MHz.

244 Įrašyti stotis į mėgstamiausias

- > Norėdami išsaugoti stotį mėgstamiausiųjų sąrašė, ilgiau paspauskite **TIME SET PRESET** mygtuką **(1)**.
- > Ekране mirksės programos numeris. Mygtukais **HOURL / TUN-** **(2)** arba **MIN / TUN+** **(3)** nustatykite norimą numerį ir išsaugokite programą, patvirtindami **TIME SET PRESET (1)**.

245 Programos iškvietimas iš radijo programų sąrašo

- > Paspauskite mygtuką **TIME SET PRESET (1)**.
- > Kiekvienu paskesniu paspaudimu mėgstamiausios programos numeris keičiamas viena pozicija aukštyl.

246 Pavojaus signalo nustatymas

- > Norėdami nustatyti žadintuvą, išjunkite radijo žadintuvą paspausdami mygtuką **AL.OFF (2)**.
- > Išjungę prietaisą, paspauskite **AL.1 / VOL-** **(8)** arba **AL.2 / VOL+** **(9)**. Ekране mirksės laiko nustatymas.
- > Galite pasirinkti, ar norite, kad įrenginys veiktų režimu žadintuvo metu: Radijo arba garsinio signalo. Šviesos diodas su varpelio simboliu yra parinktis su garsiniu signalu. Šviesos diodas su užrašo simboliu yra parinktis su radiju. Paspauskite mygtuką **AL.1 / VOL-**.

(8) arba **AL.2 /VOL+ (9)**, kad pasirinktumėte norimą režimą.

- > Jei jau pasirinkote žadintuvo režimą, dabar galite nustatyti žadintuvo laiką. Paspauskite **hour / TUN- (2)**, kad nustatytumėte, ir **MIN / TUN+ (3)**, kad nustatytumėte minutes.
- > Paspauskite **AL.1 / VOL- (8)** arba **AL.2 / VOL+ (9)**, priklausomai nuo to, ar nustatėte žadintuvo numerį 1, ar žadintuvo numerį 2, kad išsaugotumėte žadintuvo laiką.

247 Signalizacijos įjungimas ir išjungimas

- > Kai radijo žadintuvas yra išjungtas, galite pasirinkti, ar žadintuvo veikimo metu įrenginys turi veikti režimu: Radijo imtuvas arba garsinis signalas. Šviesos diodas su varpelio simboliu yra parinktis su garsiniu signalu. Šviesos diodas su užrašo simboliu yra parinktis su radijo ryšiu. Paspauskite **AL.1 / VOL- (8)** arba **AL.2 / VOL+ (9)**, kad pasirinktumėte norimą režimą.
- > Norėdami atšaukti žadintuvą, paspauskite **AL.1 / VOL- (8)** arba **AL.2 / VOL+ (9)**, kol išnyks raudonas indikatorius šalia varpelio ir pastabos simbolio.
- > Kai signalizacija įjungta, norėdami ją išjungti, paspauskite mygtuką **AL.OFF (2)**.

248 Snooze funkcija

- > Pavojaus signalo metu paspaudus **NAP/DIMMER/SLEEP/SNOOZE** mygtuką **(5) išsijungs** 10 minučių. Per snaudimo laikotarpį šalia varpelio ir užrašo simbolio esantis šviesos diodas mirksi.
- > Po 10 minučių signalas vėl suveiks.
- > Norėdami visiškai išjungti signalizaciją, paspauskite mygtuką **AL.OFF (2)**, signalizacijos tipą simbolizuojantis šviesos diodas nustos mirksėti.
- > Žadintuvas vėl suskambės kitą dieną nustatytu laiku.

LT

249 Išjungimo laikmačio nustatymas

- > Išjungimo laikmatis nustatomas įjungus radijo žadintuvą.
- > Paspaukę **NAP/DIMMER/SLEEP/SNOOZE** mygtuką **(5)**, galite pakeisti laiką, po kurio įrenginys automatiškai išsijungia.
- > Galimi šie nustatymai: **10, 20, 30, 40, 50, 60, 70, 80, 90 min.** ir **OFF (laikmatis išjungtas)**.
- > Kai įjungiamas išjungimo laikmatis, radijo ekrane užsidega raudonas šviesos diodas, rodantis, kad laikmatis įjungtas.

24.10 Garsumo keitimas

- > Klausydamiesi radijo, paspauskite **AL.1 / VOL- (8)**, kad sumažintumėte garsą.
- > Klausydamiesi radijo, paspauskite **AL.2 / VOL+ (9)**, kad padidintumėte garsumą.

24.11 LED ekrano apšvietimo intensyvumo keitimas

Galimi du ekrano ryškumo nustatymai.

- > Norėdami pakeisti ryškumą, paspauskite ir palaikykite **NAP/DIMMER/SLEEP/SNOOZE** mygtuką (5).
- > Dar kartą paspaudus **NAP/DIMMER/SLEEP/SNOOZE** mygtuką ilgesniam laikui (5) bus gražintas ankstesnis šviesos diodų intensyvumas.

24.12 Laiko projekcija

- > Norėdami įjungti laiko projekciją, paspauskite **PROJEKCIJOS ĮJUNGIMO / IŠJUNGIMO** mygtuką (4). Laikas bus rodomas ir matomas ant lubų.
 - > Norėdami sureguliuoti rodomo laiko fokusavimą, atitinkamai sureguliuokite **Fokusavimo rankenėlė (10)**.
- > Dar kartą paspaudus **PROJEKCIJOS ĮJUNGIMO / IŠJUNGIMO** mygtuką (4), projekcija ekrane bus išjungta.

24.13 FLIP funkcija

- > Norėdami projekcijos metu pakeisti ant lubų rodomą laiką 180o kampu, paspauskite mygtuką **180 FLIP (6)**.

3 Specifikacija

Dažnių diapazonas: Maitinimo šaltinis:

FM 87,5-108 MHz: Kintamosios srovės

230V ~ 50 Hz, 5W LED ekranas: 1,2"

Įrenginio matmenys: 155x63x79 mm

Baterijos: Baterijos: 2x AAA atminties

atsarginei kopijai* Išėjimo galia: 0,5 W

Mėgstamiausių stočių sąrašas: 10

pozicijų Laiko projekcijos funkcija:

TAIP FLIP funkcija: TAIP

Projektoriaus šviesos šaltinis: LED

PASTABA: Akumuliatoriaus energija naudojama tik įrenginio atminčiai išlaikyti nutrūkus elektros energijos tiekimui (pvz., laiko atminčiai). Baterijos į komplektą neįeina.

4 Gamintojas

TechniSat Digital Sp. z o.o.

ul. Poznańska 2,

Siemianice 55-120 Oborniki

Śląskie

Klientų aptarnavimo tarnyba

tel.: +48 71 310 41 41, el. paštas: biuro@technisat.com

Dirbame nuo pirmadienio iki penktadienio nuo: 8:00-16:00

Lietošanas instrukcija

DIGICLOCK 3

Radio modinātājs ar LED displeju un projektoru



TechniSat

1 Drošības instrukcijas

1.1 Priekšvārds

Dārgie klienti,

Paldies, ka izvēlējāties TechniSat radio modinātāju.

Šīs lietošanas instrukcijas ir paredzētas, lai palīdzētu jums iepazīties ar jaunās ierīces funkcijām un optimāli tās izmantot. Tas palīdzēs jums droši un atbilstoši paredzētajam lietojumam lietot radio modinātāju. Tā ir paredzēta ikvienam, kas ierīci uzstāda, ekspluatē, tīra vai likvidē.

Glabāiet lietošanas instrukciju drošā vietā, lai to varētu izmantot nākotnē.

TechniSat komanda

1.2 Izmantotie simboli un zīmes

Šajā rokasgrāmatā:



Norāda drošības instrukciju, kuras neievērošana var izraisīt izraisīt nopietnus ievainojumus vai nāvi. Ievērojiet šādus signālus:

BANDZĪBA - nopietni ievainojumi, kas var izraisīt nāvi.

BRĪDINĀJUMS - Smagi miesas bojājumi, kas var izraisīt nāvi.

PIEZĪME - Traumas.



Tajā ir norādīta piezīme, kas jāievēro, lai izvairītos no ierīces darbības traucējumiem, datu zuduma/nepareizas lietošanas vai nepareizas darbības. Tajā aprakstītas arī turpmākās ierīces funkcijas.



Brīdinājums par elektrisko spriegumu. Ievērojiet visus drošības norādījumus, lai izvairītos no elektriskās strāvas trieciena. Nekad neatveriet ierīci.

Ierīcē:



Lietošana iekštelpās - ar šo simbolu apzīmētās ierīces ir piemērotas lietošanai tikai telpās.



Jūsu ierīcei ir CE marķējums, un tā atbilst visiem nepieciešamajiem ES standartiem.



Šī ierīce ir izstrādāta un ražota, izmantojot augstas kvalitātes materiālus un sastāvdaļas, kas ir pārstrādājamas. Pārsvītrotas atkritumu tvertnes uz riteņiem simbols norāda, ka saskaņā ar Eiropas Parlamenta direktīvu šis izstrādājums ir pakļauts atsevišķai savākšanai.

un Padomes 2012/19/ES un saskaņā ar Eiropas Parlamenta un Padomes Direktīvu 2006/66/EK un informē, ka elektriskās un elektroniskās iekārtas un baterijas un akumulatorus pēc to derīguma termiņa beigām nedrīkst izmantot ar

citi sadzīves atkritumi. Lietotājam ir pienākums to nodot elektrisko un elektronisko iekārtu, kā arī bateriju un akumulatoru atkritumu savācējam, kas izveidojis šādu atkritumu savākšanas sistēmu, tostarp atbilstošā veikalā, vietējā savākšanas punktā vai pašvaldības struktūrvienībā. Elektroiekārtu atkritumi var kaitīgi ietekmēt vidi un cilvēku veselību, jo tajos var būt bīstamas vielas, maisījumi un sastāvdaļas. Mājsaimniecībām ir svarīga loma, veicinot iekārtu atkritumu atkārtotu izmantošanu un reģenerāciju, tostarp pārstrādi. Šajā posmā veidojas attieksme, kas ietekmē kopējā labuma - tīras vides - saglabāšanu. Mājsaimniecības ir arī viens no lielākajiem mazo iekārtu lietotājiem, un šo iekārtu racionāla apsaimniekošana ietekmē otrreizējo izejvielu reģenerāciju. Nepareizas šī izstrādājuma utilizācijas gadījumā var tikt piemēroti sodi saskaņā ar valsts tiesību aktiem Izstrādājuma aprites cikla beigās to nedrīkst utilizēt. atkritumu no parastajiem sadzīves atkritumiem, bet gan uz elektrisko un elektronisko iekārtu atkritumu savākšanas punktu. Tas ir norādīts ar simbolu uz izstrādājuma, lietotāja rokasgrāmatā vai iepakojumā. Materiāli ir pārstrādājami saskaņā ar marķējumu. Atkārtoti izmantojot, pārstrādājot vai citādi pārstrādājot vecās iekārtas, jūs sniežat nozīmīgu ieguldījumu vides aizsardzībā.

1.3 Mērķis

TechniSat DIGICLOCK 3 ir paredzēts FM radio pārraižu uztveršanai. Ierīce ir paredzēta privātai lietošanai un nav piemērota komerciāliem mērķiem.

1.4 Droša rīcība

Ievērojiet turpmāk minētos norādījumus, lai līdz minimumam samazinātu drošības riskus, novērstu iekārtas bojājumus un veicinātu vides aizsardzību. Rūpīgi izlasiet visus drošības norādījumus un saglabājiet tos turpmākai lietošanai. Vienmēr ievērojiet visus šajā rokasgrāmatā un ierīces aizmugurējā pusē sniegtos brīdinājumus un norādījumus.



BANDZĪBA!

Nekad neatveriet ierīci!

Pieskaršanās dzīviem komponentiem ir bīstama dzīvībai!



BRĪDINĀJUMS!

Dusināšanas briesmas! Neatstājiet iepakojumu un tā daļas bērnu aprūpē.

Aizdusīšanās briesmas no folijas un citiem iepakojuma materiāliem!



Lai nodrošinātu pareizu ierīces lietošanu un izvairītos no ierīces bojājumiem un traumām, jāievēro visi turpmāk minētie norādījumi.

- Neremontējiet ierīci paši. Remontu drīkst veikt tikai apmācīti speciālisti. Sazinieties ar

mūsu klientu apkalpošanas centros.

- Ierīci drīkst ekspluatēt tikai tai paredzētajos vides apstākļos.
- Nepakļaujiet ierīci pilienu vai šļakatu ūdens iedarbībai. Ja ierīcē iekļūst ūdens, izslēdziet to un paziņojiet par to servisa dienestam.
- Nepakļaujiet ierīci karstuma avotiem, kas papildus parastajai lietošanai to uzkaršē.
- Ja ierīcē ir pamanāms defekts, smaka vai dūmi, būtiski bojājumi vai korpusa bojājumi, nekavējoties sazinieties ar servisa centru.
- Ierīci drīkst darbināt tikai ar norādīto elektrotīkla spriegumu. Nekad nemēģiniet ierīci darbināt ar citu spriegumu.
- Ja ierīce ir bojāta, to nedrīkst lietot.
- Nelietojiet ierīci vannu, dušu, peldbaseinu vai tekoša/plūstoša ūdens tuvumā. Pastāv elektrošoka un/vai iekārtas bojājumu risks.
- Ierīcē nedrīkst iekrist svešķermeņi, piemēram, adatas, monētas utt. Nepieskarieties savienojuma kontaktiem ar metāla priekšmetiem vai pirkstiem. Tas var izraisīt īssavienojumu.
- Ierīci nav paredzēts lietot personām (tostarp bērniem) ar ierobežotām fiziskajām, maņu vai garīgajām spējām, kā arī ar nepietiekamu pieredzi un/vai zināšanām, ja vien tās nav saņēmušas uzraudzību vai norādījumus par ierīces lietošanu no personas, kas atbild par viņu drošību.
- Ierīcē ir aizliegts veikt izmaiņas.
- Nekad neskatieties tieši vai ar optiskiem instrumentiem projektora gaismas kūlī. Pastāv risks sabojāt redzi!

14.1 Juridiskās pamatnostādnes



Ar šo TechniSat paziņo, ka DIGICLOCK 3 (76- 4903-00) tipa radio ierīce atbilst Direktīvai 2014/53/ES un RoHS. Pilns ES atbilstības deklarācijas teksts ir pieejams šajā tīmekļa vietnē:

[pnh://konf.tsat.de/?ID=22886](http://konf.tsat.de/?ID=22886)



TechniSat nav atbildīgs par produkta bojājumiem, kas radušies ārējas ietekmes, nolietojuma vai nepareizas lietošanas, neatļauta remonta, pārveidošanas vai negadījumu rezultātā.



Iespējamās izmaiņas un drukas kļūdas. Kopēšana un pavairošana

tikai ar izdevēja atļauju. Jaunākā rokasgrāmatas versija PDF formātā ir pieejama lejupielādes zonā TechniSat mājaslapā www.technisat.pl.

1.42 Pakalpojumu informācija



Šis izstrādājums ir pārbaudīts, un tam ir likumā noteiktā 24 mēnešu garantija no iegādes datuma. Lūdzu, saglabājjiet rēķina čeku kā pirkuma apliecinājumu. Garantijas pretenziju gadījumā sūtījuma izmaksas tieši ražotājam apmaksā klients.



Jautājumiem un informācijai vai problēmu gadījumā ar šo ierīci ir pieejams mūsu tehniskais palīdzības tālrunis: pirmdiena. - līdz piektdien no plkst. 8:00 līdz 16:00 pa tālruņa numuru: +71 310 41 48.



Garantijas devējs piešķirtās garantijas ietvaros apņemas uz sava rēķina novērst visus produkta defektus. Defektu novēršana notiks, aizstājot bojāto produktu ar jaunu, bez defektiem vai veicot tā remontu.



Lai izmantotu garantiju, pircēja pienākums ir ziņot par preces defektiem tirdzniecības vietā, kur prece tika iegādāta, un nogādāt bojāto preci tur. Produkts jāpiegādā pabeigts.



Garantija neattiecas uz produkta defektiem, ko izraisījis pircējs vai kas radušies:

- lietot vai uzstādīt izstrādājumu neatbilstoši lietošanas instrukcijai,
- nepareiza ierīces uzglabāšana vai apkope,
- ražojuma remontdarbus vai modifikācijas, ko veikušas nepiederošas personas,
- šķīdrumu vai svešķermeņu iekļūšanu,
- zibens spārieni un elektroliņiju pārspriegumi.



Garantijas noteikumi neizslēdz, neierobežo vai neaptur pircēju (patērētāju) tiesības saskaņā ar vispārēji piemērojamiem tiesību aktiem (garantija).



Lai iegūtu sīkāku informāciju par Produktu, tostarp garantijas procedūras noteikumus un procedūras, RMA numura piešķiršanu, ir iespējams, pa tālruni 71 310 41 48 vai e-pastu serwis@technisat.com darba dienās,

No plkst. 8.00 līdz 16.00 Pakalpojumu pieprasījumi ON-LINE, izmantojot www.serwis.technisat.com.

2 Ierīces apraksts

2.1 Ierīces saturs

Lūdzu, pārbaudiet, vai ir iekļauti šādi elementi:

- 1x TechniSat DIGICLOCK 3
- 1x lietotāja rokasgrāmata

2.2 Īpašās iezīmes

Radio ir šādas īpašas funkcijas:

- FM radio uztveršana.
- UKW uztveršanas diapazons 87,5-108 MHz (analogais).
- LED displejs.
- RMS audio jauda 0,5 W.
- 10 programmu atmiņa FM stacijām.
- LED projektors ar FLIP funkciju

2.3 Ierīces sagatavošana darbam

2.3.1 Stieples antenas uzstādīšana

Uztverto staciju skaits un kvalitāte ir atkarīga no uztveršanas apstākļiem uzstādīšanas vietā. Lielisku uztveršanu var panākt ar vadu antenu.

> Novietojiet stiepleņu antenu gareniski.



Bieži vien ir svarīgi precīzi novietot vadu antenu, jo īpaši perifērijas FM uztveršanas zonās.



Pirmo meklēšanu sāciet pie loga raidītāja masta virzienā. Sliktos laikaapstākļos uztveršana var būt ierobežota.



Staciju atskaņošanas laikā nepieskarieties vadu antenai. Tas var izraisīt uztveršanas traucējumus un skaņas izkliedi.

2.3.2 Savienojums ar barošanas avotu



BRĪDINĀJUMS!

Nepieskarieties kontaktdakšai ar mitrām rokām, pastāv elektriskās strāvas trieciena risks!



PIEZĪME!

Izvietojiet tīkla kabeli tā, lai neviens uz tā neuzkāptu.

- > Iespraudiet DIGICLOCK 3 tīkla kontaktdakšu elektrotīkla kontaktligzdā (AC 230V ~ 50Hz).
- > Pirms ierīces pieslēgšanas sienas kontaktligzdai pārliecinieties, vai ierīces darba spriegums atbilst vietējam elektrotīkla spriegumam.



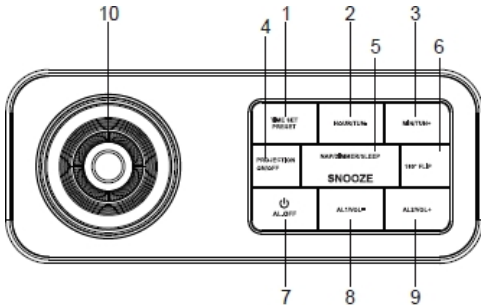
Izvelciet kontaktdakšu no kontaktligzdas, ja to nelietojat. Izvelciet kontaktdakšu, nevis kabeli. Atvienojiet ierīci no tīkla pirms vētras. Atvienojiet ierīci no kontaktdakšas, ja tā netiks lietota ilgu laiku, piemēram, pirms došanās ilgā ceļojumā. Darbības laikā radītais siltums jāizvada, nodrošinot atbilstošu gaisa cirkulāciju. Tāpēc ierīci neaizsedziet

ne novietot to slēgtā skapī. Nodrošiniet vismaz 10 cm brīvu telpu ap ierīci.



Radio modinātājs tiek darbināts ar maiņstrāvu. Lai saglabātu precīzu laiku strāvas padeves pārtraukuma laikā, izmantojiet divas AAA izmēra baterijas. Ievietojiet baterijas, ņemot vērā polaritātes marķējumu (+/-) bateriju nodalījumā. Vienlaikus nomainiet visas baterijas pret jaunām. Izņemiet visas baterijas, ja ierīce netiks lietota ilgu laiku.

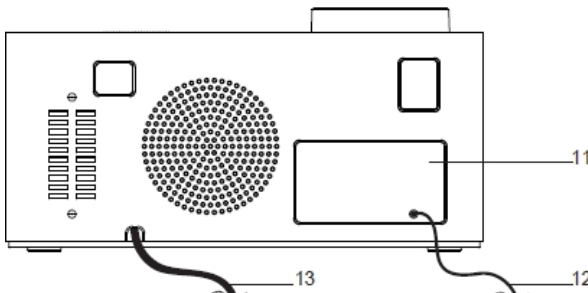
24 Ierīces funkcijas



1. IESTATĪTAIS LAIKS
2. HOUR/TUN-
3. MIN/TUN+
4. PROJEKCIJAS IESLĒGŠANA/IZSLĒGŠANA
5. SNAUDIENS/DIMPE
6. 180 FLIP
7. AL.OFF
8. AL1/VOL-
9. AL2/VOL+
10. Fokusa ritenis
11. Akumulatora vāks
12. Antenas kabelis
13. Barošanas kabelis



- A. Trauksmes signāls 1 Buzers
- B. Trauksmes signāls 1 Radio
- C. NAP (taimeris)
- D. SLEEP
- E. Trauksmes signāls 2 Buzers
- F. Trauksmes signāls 2 Radio



241 Pareiza laika iestatīšana

- > Lai iestatītu pareizu laiku, izslēdziet ierīci, nospiežot **AL.OFF** pogu (2).
- > Pēc tam ilgāk nospiediet **TIME SET PRESET** pogu (1).
- > Lai iestatītu laiku, nospiediet **HOURL / TUN-** pogu (2).
- > Lai iestatītu minūtes, izmantojiet **MIN / TUN+** pogu (3).
- > Lai apstiprinātu iestatīto laiku, nospiediet pogu **TIME SET PRESET** (1).

242 Automātiskā regulēšana

- > Radio modinātāju ieslēdziet, izmantojot **AL.OFF** pogu (2).
- > Lai sāktu automātisko staciju meklēšanu, ilgāk nospiediet **HOURL / TUN-** (2) vai **MIN / TUN+** (3) pogu.
- > Radio modinātājs sāks automātiski meklēt joslu, apstājoties pie pirmās atrastās stacijas.

243 Manuāla radio regulēšana

- > Lai iestatītu pareizo uztveršanas frekvenci, izmantojiet pogas **HOURL / TUN-** (2) un **MIN / TUN+** (3). Katru reizi, kad tās tiek nospiestas, frekvence tiek mainīta par 0,1 MHz.

244 Saglabāt stacijas izlasē

- > Lai saglabātu staciju izlases sarakstā, ilgāk nospiediet **TIME SET PRESET** pogu (1).
- > Ekrānā mirgo programmas numurs. Izmantojot **HOURL / TUN-** (2) vai **MIN / TUN+** (3) pogas, iestatiet vēlamo numuru un saglabājat programmu, apstiprinot ar **TIME SET PRESET** (1).

245 Programmas izsaukšana no radio programmu saraksta

- > Nospiediet **TIME SET PRESET** pogu (1).
- > Katrs nākamais nospiedums maina izvēlētajā programmas numuru par vienu pozīciju uz augšu.

246 Trauksmes signāla iestatījums

- > Lai iestatītu modinātāju, izslēdziet radio modinātāju, nospiežot pogu **AL.OFF** (2).
- > Pēc ierīces izslēgšanas nospiediet **AL.1 / VOL-** (8) vai **AL.2 / VOL+** (9). Displejā mirgo laika iestatījums.
- > Varat izvēlēties, vai vēlaties, lai trauksmes signāla laikā ierīce darbotos režīmā: radio vai skaņas signālu. LED ar zvana simbolu ir opcija ar skaņas signālu. Gaismas diode ar piezīmes simbolu ir iespēja ar radio. Nospiediet pogu **AL.1 / VOL-** (8) vai **AL.2 / VOL+** (9), lai izvēlētos vēlamo režīmu.

- > Ja jau esat izvēlējis modinātāja režīmu, tagad varat iestatīt modinātāja laiku. Nospiediet **HOOR / TUN- (2)**, lai iestatītu, un **MIN / TUN+ (3)**, lai iestatītu minūtes.
- > Nospiediet **AL.1 / VOL- (8)** vai **AL.2 / VOL+ (9)** atkarībā no tā, vai ir iestatīts 1. vai 2. trauksmes signāla numurs, lai saglabātu trauksmes signāla laiku.

24.7 Trauksmes aktivizēšana un deaktivizēšana

- > Kad radio modinātājs ir izslēgts, varat izvēlēties, vai modinātāja modināšanas laikā ierīce darbosies režīmā: Radio vai skaņas signāls. Diode ar zvana simbolu ir opcija ar skaņas signālu. Gaismas diode ar piezīmes simbolu ir opcija ar radio. Nospiediet **AL.1 / VOL- (8)** vai **AL.2 / VOL+ (9)**, lai izvēlētos vēlamo režīmu.
- > Lai atceltu trauksmes signālu, nospiediet **AL.1 / VOL- (8)** vai **AL.2 / VOL+ (9)**, līdz pazūd sarkanais indikators blakus zvana un piezīmes simbolam.
- > Kad signalizācija ir ieslēgta, lai to deaktivizētu, nospiediet pogu **AL.OFF (2)**.

24.8 Atturēšanas funkcija

- > Trauksmes signāla laikā, nospiežot **NAP/DIMMER/SLEEP/SNOOZE** pogu **(5) izslēgsies** uz 10 min. Nogulšņošanas perioda laikā mirgo LED, kas atrodas blakus zvana un piezīmes simbolam. **LV**
- > Pēc 10 minūtēm signāls atskanēs vēlreiz.
- > Lai pilnībā izslēgtu signalizāciju, nospiediet pogu **AL.OFF (2)**, un signalizācijas veidu simbolizējošais LED pārtrauks mirgot.
- > Nākamajā dienā noteiktā laikā modinātājs atskanēs vēlreiz.

24.9 Izslēgšanas taimera iestatīšana

- > Izslēgšanas taimeris tiek iestatīts, kad ir ieslēgts radio modinātājs.
- > Nospiežot **NAP/DIMMER/SLEEP/SNOOZE** pogu **(5)**, varat mainīt laiku, pēc kura ierīce automātiski izslēdzas.
- > Ir pieejami šādi iestatījumi: **10, 20, 30, 40, 50, 60, 70, 80, 90 min.** un **OFF (taimeris izslēgts)**.
- > Kad ir aktivizēts izslēgšanas taimeris, uz radio ekrāna iedegas sarkans LED indikators, kas norāda uz taimera ieslēgšanos.

24.10 Skaļuma maiņa

- > Radio klausīšanās laikā nospiediet **AL.1 / VOL- (8)**, lai samazinātu skaļumu.
- > Radio klausīšanās laikā nospiediet **AL.2 / VOL+ (9)**, lai palielinātu skaļumu.

24.11 Displeja LED apgaismojuma intensitātes maiņa

Ir pieejami divi ekrāna spilgtuma iestatījumi.

- > Lai mainītu spilgtumu, nospiediet un turiet **NAP/DIMMER/ SLEEP/SNOOZE** pogu **(5)**.
- > Nospiežot **NAP/DIMMER/SLEEP/SNOOZE** pogu vēlreiz uz ilgāku laiku **(5)** tiks atjaunota iepriekšējā LED intensitāte.

24.12 Laika projekcija

- > Lai aktivizētu laika projekciju, nospiediet pogu **PROJEKCIJA IESLĒGT/IZSLĒGT (4)**. Laiks tiks projicēts un būs redzams uz griestiem.
 - > Lai pielāgotu rādītā laika fokusu, attiecīgi noregulējiet **Fokusa regulēšanas poga (10)**.
- > Vēlreiz nospiežot **projicēšanas ieslēgšanas/izslēgšanas** pogu **(4)**, ekrāna projekcija tiks izslēgta.

24.13 FLIP funkcija

- > Lai projekcijas laikā apgrieztu uz griestiem redzamo laiku par 180o, nospiediet pogu **180 FLIP (6)**.

3 Specifikācija

Frekvenču diapazons: Frekvenču diapazons: FM 87,5-108 MHz Barošanas avots: AC 230V ~ 50 Hz, 5W LED displejs: 1,2"
Ierīces izmēri: 155x63x79mm Baterijas: 2x AAA atmiņas dublēšanai* Izejas jauda: 0,5 W
Iecienītāko staciju saraksts: 10 pozīcijas Laika projicēšanas funkcija: JĀ FLIP funkcija: Jā.
Projektora gaismas avots: LED

PIEZĪME: Akumulatora barošana tiek izmantota tikai ierīces atmiņas saglabāšanai strāvas padeves pārtraukuma gadījumā (piemēram, laika atmiņā).
Baterijas nav iekļautas komplektā.

4 Ražotājs

TechniSat Digital Sp. z o.o.
ul. Poznańska 2,
Siemianice 55-120 Oborniki
Śląskie

Klientu apkalpošanas birojs
tālr.: +48 71 310 41 41, e-pasts: biuro@technisat.com
Atvērts no pirmdienas līdz piektdienai no: 8:00-16:00

Bedieningsinstructies

DIGICLOCK 3

Radio wekker met LED display en projector



TechniSat

1 Veiligheidsinstructies

1.1 Voorwoord

Geachte klanten,

Bedankt voor het kiezen van een TechniSat radiowecker.

Deze gebruiksaanwijzing is bedoeld om je vertrouwd te maken met de functies van je nieuwe apparaat en ze optimaal te gebruiken. Het zal u helpen om de radiowecker veilig en in overeenstemming met het beoogde gebruik te gebruiken. Het is bedoeld voor iedereen die het apparaat installeert, bedient, reinigt of afdankt.

Bewaar de gebruiksaanwijzing op een veilige plaats voor toekomstig gebruik.

TechniSat-team

1.2 Gebruikte symbolen

In deze handleiding:



Geeft een veiligheidsinstructie aan, waarvan het niet opvolgen kan leiden tot ernstig letsel of de dood veroorzaken. Neem de volgende signaalwoorden in acht:

GEVAAR - Ernstig letsel met de dood tot gevolg.

WAARSCHUWING - Zwaar lichamelijk letsel dat de dood tot gevolg kan hebben.

OPMERKING - Blessures.



Het geeft aan waar u op moet letten om storingen aan het apparaat, gegevensverlies/misbruik of onbedoelde bediening te voorkomen. Het beschrijft ook verdere functies van het apparaat.



Waarschuwing voor elektrische spanning. Neem alle veiligheidsinstructies in acht om elektrische schokken te voorkomen. Open het apparaat nooit.

Op het apparaat:



Gebruik binnenshuis - apparaten gemarkeerd met dit symbool zijn alleen geschikt voor gebruik binnenshuis.



Uw apparaat is CE-gemarkeerd en voldoet aan alle vereiste EU-normen.



Dit apparaat is ontworpen en geproduceerd met hoogwaardige materialen en onderdelen die recyclebaar zijn. Het symbool van de doorgekruiste vuilnisbak op wietjes geeft aan dat het product onderhevig is aan gescheiden inzameling in overeenstemming met de richtlijn van het Europees Parlement en Raad 2012/19/EU en in overeenstemming met Richtlijn 2006/66/EG van het Europees Parlement en de Raad en deelt mee dat elektrische en elektronische apparatuur en batterijen en accu's na hun nuttige levensduur niet mogen worden verwijderd met de

ander huishoudelijk afval. De gebruiker is verplicht om het te overhandigen aan een inzamelaar van afgedankte elektrische en elektronische apparatuur, batterijen en accu's die een systeem opzet voor de inzameling van dergelijk afval, inclusief een geschikte winkel, lokaal inzamelpunt of gemeentelijke eenheid. Afgedankte apparatuur kan een schadelijke invloed hebben op het milieu en de menselijke gezondheid door de mogelijke aanwezigheid van gevaarlijke stoffen, mengsels en componenten. Het huishouden speelt een belangrijke rol bij het hergebruik en de nuttige toepassing, inclusief recycling, van afgedankte apparatuur. In dit stadium worden houdingen gevormd die van invloed zijn op het behoud van het gemeenschappelijk goed, namelijk een schoon milieu. Huishoudens zijn ook een van de grootste gebruikers van kleine apparatuur en rationeel beheer van deze apparatuur beïnvloedt de terugwinning van secundaire grondstoffen. In het geval van onjuiste verwijdering van dit product kunnen boetes worden opgelegd in overeenstemming met de nationale wetgeving. afval van het normale huishoudelijke afval, maar naar het inzamelpunt voor afgedankte elektrische en elektronische apparatuur. Dit wordt aangegeven door het symbool op het product, de gebruikershandleiding of de verpakking. Materialen zijn recyclebaar volgens het label. Door uw oude apparatuur te hergebruiken, te recyclen of anderszins te hergebruiken, levert u een belangrijke bijdrage aan de bescherming van het milieu.

1.3 Doel

De TechniSat DIGICLOCK 3 is ontworpen om FM radio-uitzendingen te ontvangen. Het apparaat is bedoeld voor privégebruik en is niet geschikt voor commerciële doeleinden.

1.4 Veilig gebruik

Neem de volgende instructies in acht om de veiligheidsrisico's tot een minimum te beperken, schade aan de apparatuur te voorkomen en bij te dragen aan de bescherming van het milieu.

Lees alle veiligheidsinstructies zorgvuldig en bewaar ze voor toekomstig gebruik. Neem altijd alle waarschuwingen en instructies in deze handleiding en op de achterkant van het apparaat in acht.



GEVAAR!

Open het apparaat nooit!

Het aanraken van levende onderdelen is levensgevaarlijk!



WAARSCHUWING!

Verstikkingsgevaar! Laat verpakkingen en onderdelen daarvan niet achter bij kinderen. Verstikkingsgevaar door folie en andere verpakkingsmaterialen!



Voor een correct gebruik van het apparaat en om schade aan het apparaat en persoonlijk letsel te voorkomen, moeten alle volgende instructies worden opgevolgd.

- Repareer het apparaat niet zelf. Reparaties mogen alleen worden uitgevoerd door getrainde professionals. Neem contact op met

onze klantenservice.

- Het apparaat mag alleen worden gebruikt onder de omgevingscondities die ervoor zijn gespecificeerd.
- Stel het apparaat niet bloot aan druipend of spattend water. Als er water in het apparaat komt, schakel het dan uit en waarschuw de servicedienst.
- Stel het apparaat niet bloot aan warmtebronnen die het apparaat opwarmen naast normaal gebruik.
- Neem in geval van een merkbaar defect aan het apparaat, geur of rook, ernstige storingen of schade aan de behuizing onmiddellijk contact op met het servicecentrum.
- Het apparaat mag alleen worden gebruikt met de opgegeven netspanning. Probeer het apparaat nooit op een andere spanning te gebruiken.
- Als het apparaat beschadigd is, mag het niet worden gebruikt.
- Gebruik het apparaat niet in de buurt van badkuipen, douches, zwembaden of stromend/spattend water. Er bestaat een risico op elektrische schokken en/of schade aan het apparaat.
- Vreemde voorwerpen, zoals naalden, munten, enz. mogen niet in het apparaat vallen. Raak de aansluitcontacten niet aan met metalen voorwerpen of vingers. Dit kan kortsluiting veroorzaken.
- Het apparaat is niet bedoeld voor gebruik door personen (inclusief kinderen) met verminderde lichamelijke, zintuiglijke of geestelijke vermogens, of met gebrek aan ervaring en/of kennis, tenzij zij onder toezicht staan van of instructies hebben gekregen over het gebruik van het apparaat van een persoon die verantwoordelijk is voor hun veiligheid.
- Het is verboden om wijzigingen aan te brengen aan het apparaat.
- Kijk nooit rechtstreeks of met optische instrumenten in de lichtstraal van de projector. Risico op beschadiging van uw gezichtsvermogen!

1.4.1 Wettelijke richtlijnen



TechniSat verklaart hierbij dat het radioapparaat van het type DIGICLOCK 3 (76-4903-00) voldoet aan richtlijn 2014/53/EU en RoHS. De volledige tekst van de EU-verklaring van overeenstemming is beschikbaar op het volgende webadres:

[pnh://konf.tsat.de/?ID=22886](http://konf.tsat.de/?ID=22886)



TechniSat is niet verantwoordelijk voor schade aan het product die is veroorzaakt door invloeden van buitenaf, slijtage of onjuist gebruik, ongeautoriseerde reparaties, wijzigingen of ongelukken.



Wijzigingen en drukfouten voorbehouden. Kopiëren en reproductie

alleen met toestemming van de uitgever. De nieuwste versie van de handleiding is beschikbaar in PDF-formaat in het downloadgedeelte op de TechniSat homepage op www.technisat.pl.

142 Service-informatie

- i** Dit product is op kwaliteit getest en wordt geleverd met een wettelijke garantieperiode van 24 maanden vanaf de aankoopdatum. Bewaar uw factuur als bewijs van aankoop. In het geval van een garantieclaim worden de verzendkosten rechtstreeks naar de fabrikant betaald door de klant.
- i** Voor vragen en informatie of als je een probleem hebt met dit apparaat, is onze technische hotline beschikbaar: van maandag - tot vrijdag, van 8:00 tot 16:00 uur op telefoonnummer: +71 310 41 48.
- i** De garantiegever verbindt zich ertoe om, binnen het kader van de verleende garantie, op eigen kosten alle gebreken aan het product te verhelpen. De gebreken worden verholpen door het gebrekkige product te vervangen door een nieuw, vrij van gebreken, of door het product te repareren.
- i** Om gebruik te kunnen maken van de garantie is de koper verplicht om het defect aan het product te melden bij het verkooppunt waar het product is gekocht en om het defecte product daar afleveren. Het product moet worden geleverd compleet.
- i** De garantie dekt geen defecten aan het product die door de koper zijn veroorzaakt of die het gevolg zijn van:
- het product gebruiken of installeren op een manier die niet in overeenstemming is met de gebruiksaanwijzing,
 - onjuiste opslag of onjuist onderhoud van het apparaat,
 - reparaties of wijzigingen aan het product door onbevoegde personen,
 - binnendringen van vloeistoffen of vreemde voorwerpen,
 - blikseminslag en stroompieken
- i** De bepalingen van de garantie sluiten de rechten van kopers (consumenten) onder het algemeen toepasselijk recht (garantie) niet uit, beperken of schorten deze niet op.
- i** Om gedetailleerde informatie over een Product te verkrijgen, met inbegrip van de regels en procedures voor de garantieprocedure, de toekenning van een RMA-nummer, is het mogelijk om per telefoon 71 310 41 48 of e-mail serwis@technisat.com , op werkdagen,

2 Beschrijving van het apparaat

21 Inhoud van het apparaat

Controleer of het volgende is meegeleverd: 1x
TechniSat DIGICLOCK 3
1x gebruikershandleiding

22 Speciale functies

De radio heeft de volgende speciale functies:

- FM-radio-ontvangst.
- UKW-ontvangstbereik 87,5-108 MHz (analoog).
- LED-scherm.
- RMS-audiovermogen 0,5W.
- Programmageheugen van 10 voor FM-zenders.
- LED-projector met FLIP-functie

23 Het apparaat voorbereiden op gebruik

23.1 Een draadantenne opzetten

Het aantal en de kwaliteit van de ontvangen zenders hangt af van de ontvangsomstandigheden op de installatielocatie. Met een draadantenne is een uitstekende ontvangst mogelijk.

> Plaats de draadantenne in de lengterichting.



Nauwkeurige plaatsing van de draadantenne is vaak belangrijk, vooral in perifere FM-ontvangstgebieden.



Begin je eerste zoektocht bij het raam in de richting van de zendmast. Bij slecht weer kan de ontvangst beperkt zijn.



Raak de draadantenne niet aan tijdens het afspelen van zenders. Dit kan leiden tot ontvangststoringen en het vervagen van het geluid.

23.2 Aansluiting op voeding



WAARSCHUWING!

Raak de stekker niet aan met natte handen, dit kan elektrische schokken veroorzaken!



OPMERKING!

Leg de netwerkkabel zo dat niemand erover struikelt.

- > Steek de netstekker van de DIGICLOCK 3 in een stopcontact (AC 230V ~ 50Hz).
- > Controleer voordat u het apparaat op het stopcontact aansluit of de bedrijfsspanning van het apparaat overeenkomt met de plaatselijke netspanning.



Trek de stekker uit het stopcontact als je hem niet gebruikt. Trek aan de stekker, niet aan de kabel. Trek de stekker uit het stopcontact voordat het gaat onwren. Trek de stekker uit het stopcontact als het apparaat lange tijd niet

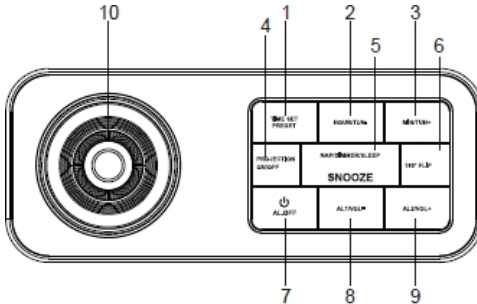
gebruikt gaat worden, bijvoorbeeld voordat u aan een lange reis begint. De warmte die vrijkomt tijdens het gebruik moet worden afgevoerd door voldoende luchtcirculatie. Dek het apparaat daarom niet af

Plaats het apparaat niet in een gesloten kast. Zorg voor een vrije ruimte van minstens 10 cm rond het apparaat.



De wekkerradio werkt op wisselstroom. Gebruik twee AAA-batterijen om de tijd nauwkeurig bij te houden als de netstroom uitvalt. Plaats de batterijen volgens de polariteitsmarkeringen (+/-) in het batterijvak. Vervang alle batterijen tegelijkertijd door nieuwe. Verwijder alle batterijen als het apparaat langere tijd niet wordt gebruikt.

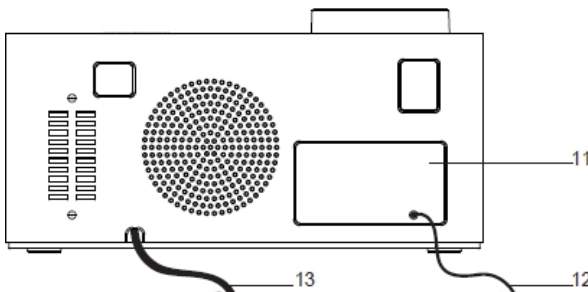
24 Apparaatfuncties



1. TIJD INSTELLEN
VOORINSTELLING
2. UUR/TUN-
3. MIN/TUN+
4. PROJECTIE AAN/UIT
5. DUTJE/DIMMER/SLAAPJE/SLAAPJE
6. 180 FLIP
7. AL.UIT
8. AL1/VOL-
9. AL2/VOL+
10. Focuswiel



- A. Alarm 1 Zoemer
- B. Alarm 1 Radio
- C. NAP (timer)
- D. SLAAP
- E. Alarm 2 Zoemer
- F. Alarm 2 Radio



241 De juiste tijd instellen

- > Om de juiste tijd in te stellen, schakelt u het apparaat uit door op de **AL.OFF** knop **(2) te drukken**.
- > Druk vervolgens langer op de **TIME SET PRESET** knop **(1)**.
- > Druk op de knop **HOOR / TUN- (2)** om de tijd in te stellen.
- > Gebruik de knop **MIN / TUN+ (3)** om de minuten in te stellen.
- > Druk op de knop **TIME SET PRESET (1)** om de ingestelde tijd te bevestigen.

242 Automatisch afstemmen

- > Zet de radiowekker aan met de knop **AL.OFF (2)**.
- > Om het automatisch zoeken naar zenders te starten, drukt u langer op de knop **HOOR / TUN- (2)** of **MIN / TUN+ (3)**.
- > De wekkerradio begint automatisch de band af te zoeken en stopt bij de eerste zender die gevonden wordt.

243 Handmatig radio afstemmen

- > Om de juiste ontvangsfrequentie in te stellen, gebruikt u de knoppen **HOOR / TUN- (2)** en **MIN / TUN+ (3)**. Bij elke druk op deze toetsen wordt de frequentie met 0,1 MHz gewijzigd.

244 Stations opslaan bij favorieten

- > Druk langer op de **TIME SET PRESET** knop (1) om een zender op te slaan in de favorietenlijst.
- > Het programma nummer knippert op het scherm. Stel het gewenste nummer in met de knoppen **UREN / TUN- (2)** of **MIN / TUN+ (3)** en sla het programma op door te bevestigen met **TIME SET PRESET (1)**.

245 Een programma oproepen uit de radioprogrammalijst

- > Druk op de knop **TIME SET PRESET (1)**.
- > Bij elke volgende druk op de knop verandert het nummer van het favoriete programma een positie omhoog.

246 Alarminstelling

- > Om de wekker in te stellen, schakelt u de radiowekker uit door op de knop **AL.OFF (2)**.
- > Druk na het uitschakelen van het apparaat op **AL.1 / VOL- (8)** of **AL.2 / VOL+ (9)**. De tijdsinstelling knippert op het scherm.
- > Je kunt kiezen of je wilt dat het apparaat in de modus werkt tijdens het alarm: Radio of Zoemer. De LED met het belsymbool is de optie met zoemer. De LED met het notitiesymbool is de optie met radio. Druk op de **AL.1 / VOL-** knop **(8)** of **AL.2 / VOL+ (9)** om de gewenste modus te selecteren.

- > Als u de wekmodus al hebt geselecteerd, kunt u nu de wektijd instellen. Druk op **HOOR / TUN- (2)** om in te stellen en op **MIN / TUN+ (3)** om de minuten in te stellen.
- > Druk op **AL.1 / VOL- (8)** of **AL.2 / VOL+ (9)** afhankelijk van of u wekkernummer 1 of wekkernummer 2 hebt ingesteld om de wektijd op te slaan.

247 Alarm activeren en deactiveren

- > Wanneer de wekkerradio is uitgeschakeld, kunt u kiezen of u het apparaat in de modus wilt laten werken tijdens de wekker: Radio of Zoemer. De LED met het belsymbool is de optie met zoemer. De LED met het notitiesymbool is de optie met radio. Druk op **AL.1 / VOL- (8)** of **AL.2 / VOL+ (9)** om de gewenste modus te selecteren.
- > Druk op **AL.1 / VOL- (8)** of **AL.2 / VOL+** om het alarm te annuleren. **(9)** totdat de rode indicator naast het bel- en notitiesymbool verdwijnt.
- > Als het alarm geactiveerd is, drukt u op de knop **AL.OFF (2)**.

248 Sluimerfunctie

- > Als u tijdens de wekker op de knop **NAP/DIMMER/SLEEP/SNOOZE drukt (5)** wordt gedurende 10 minuten uitgeschakeld. Tijdens de sluimerperiode knippert de LED naast het bel- en notitiesymbool.
- > Na 10 minuten gaat het alarm opnieuw af.
- > Om het alarm volledig uit te schakelen, druk op de **AL.OFF** knop **(2)**, de LED die het alarmtype symboliseert stopt met knipperen.
- > Het alarm gaat de volgende dag opnieuw af op een ingesteld tijdstip.

249 De uitschakeltimer instellen

- > De uitschakeltimer wordt ingesteld wanneer de radiowekker wordt ingeschakeld.
- > Door op de knop **NAP/DIMMER/SLEEP/SNOOZE (5)** te drukken, **kun** je de tijd waarna het apparaat automatisch uitschakelt wijzigen.
- > De volgende instellingen zijn beschikbaar: **10, 20, 30, 40, 50, 60, 70, 80, 90 min.** en **OFF (timer uit)**.
- > Als de uitschakeltimer is geactiveerd, gaat er een rode LED op het radioscherm branden om de timer aan te geven.

2410 Het volume wijzigen

- > Druk tijdens het luisteren naar de radio op **AL.1 / VOL- (8)** om het volume te verlagen.
- > Druk tijdens het luisteren naar de radio op **AL.2 / VOL+ (9)** om het volume te verhogen.

24.11 De intensiteit van de achtergrondverlichting van het LED-scherm wijzigen

Er zijn twee instellingen voor de helderheid van het scherm beschikbaar.

- > Houd de knop **NAP/DIMMER/SLEEP/SNOOZE (5)** ingedrukt om de helderheid te wijzigen.
- > Nogmaals gedurende langere tijd op de toets **NAP/DIMMER/SLEEP/SNOOZE drukken (5)** keert terug naar de vorige LED-intensiteit.

24.12 Tijd projectie

- > Druk op de knop **PROJECTION ON/ OFF (4)** om de tijdprojectie te activeren. De tijd wordt geprojecteerd en is zichtbaar op het plafond.
 - > Pas de focus van de weergegeven tijd dienovereenkomstig aan **Scherpstelknop (10)**.
- > Als u nogmaals op de knop **PROJECTION ON/OFF (4) drukt, wordt de** schermprojectie uitgeschakeld.

24.13 FLIP-functie

- > Om de tijd die wordt weergegeven op het plafond 180o om te keren tijdens projectie, drukt u op de **180 FLIP** knop **(6)**.

3 Specificatie

Frequentiebereik: FM 87,5-108 MHz

Voedingsbron: AC 230V ~ 50 Hz, 5W

LED-scherm: 1,2"

Afmetingen apparaat: 155x63x79mm

Batterijen: 2x AAA voor geheugenback-up*

Uitgangsvermogen: 0,5W

Lijst met favoriete zenders: 10

posities Tijdprojectiefunctie: JA

FLIP-functie: Ja

Lichtbron projector: LED

OPMERKING: Batterijvoeding wordt alleen gebruikt om het geheugen van het apparaat in stand te houden als de stroom uitvalt (bijv. tijdgeheugen). Batterijen niet meegeleverd.

4 Fabrikant

TechniSat Digital Sp. z o.o.
ul. Poznańska 2,
Siemianice 55-120 Oborniki
Śląskie

Klantenservice
tel: +48 71 310 41 41, e-mail: biuro@technisat.com
Open van maandag tot vrijdag van: 8:00-16:00

Instrucțiuni de utilizare

DIGICLOCK 3

Radio ceas deșteptător cu afișaj LED și proiector



TechniSat

1 Instrucțiuni de siguranță

1.1 Prefață

Stimați clienți,

Vă mulțumim pentru că ați ales un radio-receptor TechniSat.

Aceste instrucțiuni de utilizare au scopul de a vă ajuta să vă familiarizați cu funcțiile noului dvs. aparat și să le utilizați în mod optim. Ele vă vor ajuta să folosiți ceasul deșteptător radio în condiții de siguranță și în conformitate cu destinația sa. Se adresează oricărei persoane care instalează, operează, curăță sau elimină aparatul. Păstrați instrucțiunile de utilizare într-un loc sigur pentru consultări ulterioare.

Echipa TechniSat

12 Simboluri și simboluri utilizate

În acest manual:



Indică o instrucțiune de siguranță, a cărei nerespectare poate provoca vătămări grave sau moartea. Respectați următoarele cuvinte de semnalizare:

PERICOL - Rănire gravă care poate duce la deces.

AVERTISMENT - Vătămare corporală gravă care poate duce la deces.

NOTĂ - Accidentări.



Indică precauția care trebuie respectată pentru a evita funcționarea defectuoasă a dispozitivului, pierderea/utilizarea necorespunzătoare a datelor sau funcționarea neintenționată. De asemenea, descrie și alte funcții ale dispozitivului.



Avertisment împotriva tensiunii electrice. Respectați toate instrucțiunile de siguranță pentru a evita șocurile electrice. Nu deschideți niciodată aparatul.

Pe dispozitiv:



Utilizare în interior - aparatele marcate cu acest simbol sunt adecvate numai pentru utilizare în interior.



Dispozitivul dvs. este marcat CE și îndeplinește toate standardele UE necesare.



Acest aparat a fost proiectat și fabricat folosind materiale și componente de înaltă calitate care sunt reciclabile. Simbolul coșului de gunoi cu roți barate indică faptul că produsul face obiectul colectării separate în conformitate cu Directiva Parlamentului European și a Consiliului 2012/19/UE și în conformitate cu Directiva 2006/66/CE a Parlamentului European și a Consiliului și informează că echipamentele electrice și electronice, precum și bateriile și acumulatorii, după expirarea duratei de viață

utilă, nu trebuie să fie eliminate împreună cu

alte deșeuri menajere. Utilizatorul este obligat să le predea unui colector de deșeuri de echipamente electrice și electronice, precum și de baterii și acumulatori care instituie un sistem de colectare a acestor deșeuri, inclusiv unui magazin adecvat, unui punct de colectare local sau unei unități municipale. Deșeurile de echipamente pot avea un impact dăunător asupra mediului și sănătății umane din cauza conținutului potențial de substanțe, amestecuri și componente periculoase. Gospodăria joacă un rol important în a contribui la reutilizarea și recuperarea, inclusiv reciclarea, a deșeurilor de echipamente. În această etapă, se formează atitudini care influențează conservarea bunului comun, care este un mediu curat. Gospodăriile sunt, de asemenea, unul dintre cei mai mari utilizatori de echipamente mici, iar gestionarea rațională a acestor echipamente influențează recuperarea materiilor prime secundare. În cazul eliminării necorespunzătoare a acestui produs, se pot aplica sancțiuni în conformitate cu legislația națională. La sfârșitul ciclului de viață al produsului, acesta nu trebuie eliminat în gunoiul din deșeurile menajere obișnuite, ci la punctul de colectare a deșeurilor de echipamente electrice și electronice. Acest lucru este indicat prin simbolul de pe produs, manualul de utilizare sau ambalaj. Materialele sunt reciclabile în conformitate cu eticheta. Prin reutilizarea, reciclarea sau reciclarea în alt mod a echipamentelor vechi, aduceți o contribuție importantă la protecția mediului.

13 Scop

TechniSat DIGICLOCK 3 este proiectat pentru a recepționa emisiuni radio FM. Dispozitivul este destinat utilizării private și nu este potrivit pentru scopuri comerciale.

14 Manipulare sigură

Respectați următoarele instrucțiuni pentru a minimiza riscurile de siguranță, pentru a evita deteriorarea echipamentului și pentru a contribui la protecția mediului.

Citiți cu atenție toate instrucțiunile de siguranță și păstrați-le pentru referințe ulterioare. Respectați întotdeauna toate avertismentele și instrucțiunile din acest manual și de pe partea din spate a aparatului.



PERICOLI!

Nu deschideți niciodată aparatul!

Atingerea componentelor vii pune în pericol viața!



AVERTISMENT!

Pericol de sufocare! Nu lăsați ambalajul și componentele sale în grija copiilor.

Pericol de sufocare din cauza foliei și a altor materiale de ambalare!



Pentru a asigura utilizarea corectă a aparatului și pentru a evita deteriorarea aparatului și rănirea persoanelor, trebuie respectate toate instrucțiunile următoare.

- Nu reparați singur aparatul. Reparațiile trebuie efectuate numai de către profesioniști calificați. Contactați

centrele noastre de servicii pentru clienți.

- Dispozitivul trebuie să fie utilizat numai în condițiile de mediu specificate pentru acesta.
- Nu expuneți aparatul la picături sau stropi de apă. Dacă intră apă în aparat, opriți aparatul și anunțați departamentul de service.
- Nu expuneți unitatea la surse de căldură care să o încălzească în plus față de utilizarea normală.
- În cazul în care aparatul prezintă un defect vizibil, miros sau fum, defecțiuni semnificative sau deteriorări ale carcasei, contactați imediat centrul de service.
- Dispozitivul poate fi utilizat numai la tensiunea de rețea specificată. Nu încercați niciodată să folosiți unitatea la o altă tensiune.
- Dacă unitatea este deteriorată, nu trebuie să fie utilizată.
- Nu folosiți aparatul în apropierea căzilor, dușurilor, piscinelor sau a apei curgătoare/scurgătoare. Există riscul de electrocutare și/sau de deteriorare a echipamentului.
- Obiectele străine, de exemplu ace, monede etc., nu trebuie să cadă în aparat. Nu atingeți contactele de conectare cu obiecte metalice sau cu degetele. Acest lucru poate provoca un scurtcircuit.
- Aparatul nu este destinat utilizării de către persoane (inclusiv copii) cu capacități fizice, senzoriale sau mentale reduse sau cu lipsă de experiență și/sau cunoștințe, cu excepția cazului în care acestea au fost supravegheate sau instruite cu privire la utilizarea aparatului de către o persoană responsabilă pentru siguranța lor.
- Este interzisă efectuarea de modificări ale dispozitivului.
- Nu priviți niciodată direct sau cu instrumente optice în fasciculul de lumină al proiecteurului. Risc de vătămare a vederii!

1.41 Orientări juridice



TechniSat declară prin prezenta că dispozitivul radio de tip DIGICLOCK 3 (76-4903-00) este conform cu Directiva 2014/53/UE și RoHS. Textul integral al Declarației de conformitate UE este disponibil la următoarea adresă web:

[pnh://konf.tsat.de/?ID=22886](http://konf.tsat.de/?ID=22886)



TechniSat nu este responsabil pentru deteriorarea produsului cauzată de

influențe externe, uzură sau manipulare necorespunzătoare, reparații neautorizate, modificări sau accidente.



Sub rezerva modificărilor și a erorilor de imprimare. Copiere și reproducere

numai cu acordul editorului. Cea mai recentă versiune a manualului este disponibilă în format PDF în zona de descărcare de pe pagina de pornire a TechniSat, la adresa www.technisat.pl.

1.42 Informații despre servicii

- i** Acest produs este testat din punct de vedere calitativ și are o perioadă de garanție legală de 24 de luni de la data achiziției. Vă rugăm să păstrați chitanța facturii ca dovadă a achiziției. În cazul unor reclamații în garanție, costul de expediere direct la producător va fi plătit de către client.
- i** Pentru întrebări și informații sau în cazul în care aveți o problemă cu acest dispozitiv, linia noastră de asistență tehnică este disponibilă: Luni. - până vineri, între orele 8:00 și 16:00, la numărul de telefon: +71 310 41 48.
- i** În cadrul garanției acordate, garantul se angajează să înlăture pe cheltuiala sa orice defecte ale produsului. Îndepărtarea defectelor se va face prin înlocuirea produsului defect cu unul nou, fără defecte, sau prin repararea acestuia.
- i** Pentru a face uz de garanție, cumpărătorul este obligat să raporteze defecțiunea produsului la punctul de vânzare unde a fost achiziționat produsul și să
să livreze acolo produsul defect. Produsul ar trebui să fie livrat complet.
- i** Garanția nu acoperă defectele produsului cauzate de cumpărător sau care rezultă din:
- să utilizați sau să instalați produsul într-o manieră neconformă cu instrucțiunile de utilizare,
 - depozitarea sau întreținerea necorespunzătoare a aparatului,
 - reparații sau modificări ale produsului efectuate de persoane neautorizate,
 - pătrunderea lichidelor sau a corpurilor străine,
 - trăsnete și supratensiuni ale liniilor electrice
- i** Dispozițiile garanției nu exclud, limitează sau suspendă drepturile cumpărătorilor (consumatorilor) în temeiul legislației general aplicabile (garanție).
- i** Pentru a obține informații detaliate despre un Produs, inclusiv regulile și procedurile pentru procedura de garanție, atribuirea unui număr RMA, este posibil să

la numărul de telefon 71 310 41 48 sau la adresa de e-mail serwis@technisat.com , în zilele lucrătoare,

Între orele 8.00 și 16.00. **Solicitări de service ON-LINE prin www.serwis.technisat.com.**

2 Descrierea dispozitivului

21 Conținutul dispozitivului

Vă rugăm să verificați dacă sunt incluse următoarele: 1x TechniSat DIGICLOCK 3
1x Manual de utilizare

22 Caracteristici speciale

Radioul are următoarele caracteristici speciale:


- Recepție radio FM.
- Gama de recepție UKW 87,5-108 MHz (analogic).
- Afișaj cu LED-uri.
- Putere audio RMS 0,5 W.
- Memorie de program de 10 pentru posturile FM.
- Proiector LED cu funcție FLIP


23 Pregătirea dispozitivului pentru funcționare


23.1 Configurarea unei antene cu fir

Numărul și calitatea posturilor recepționate depind de condițiile de recepție de la locul de instalare. O recepție excelentă poate fi obținută cu o antenă cu fir.

> Poziționați antena de sârmă pe lungime.

 Poziționarea precisă a antenei cu fir este adesea importantă, în special în zonele periferice de recepție FM.

 Începeți prima căutare la fereastra dinspre catargul emițătorului. Pe vreme rea, recepția poate fi limitată.

 Nu atingeți antena cu fir în timpul redării posturilor. Acest lucru poate duce la interferențe de recepție și la estomparea sunetului.

23.2 Conectarea la sursa de alimentare



AVERTISMENT!

Nu atingeți ștecherul cu mâinile umede, risc de electrocutare!



NOTĂ!

Aranjați cablul de rețea astfel încât nimeni să nu se împiedice de el.

> Conectați fișa de rețea a DIGICLOCK 3 la o priză de rețea (AC 230V ~ 50Hz).

> Înainte de a conecta aparatul la o priză de perete, asigurați-vă că tensiunea de funcționare a aparatului corespunde cu tensiunea de rețea locală.



Scoateți fișa din priză atunci când nu o utilizați. Trageți de fișă, nu de cablu.

Scoateți aparatul din priză înainte de o furtună. Scoateți aparatul din priză dacă nu va fi utilizat pentru o perioadă lungă de timp, de exemplu înainte de a porni într-o călătorie lungă. Căldura generată în timpul funcționării trebuie să fie disipată printr-o circulație adecvată a aerului. Prin urmare, nu acoperiți aparatul

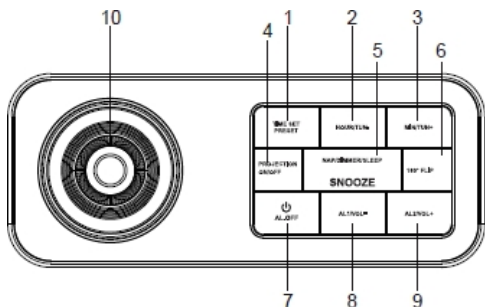
și nici nu îl plasați într-un dulap închis. Asigurați un spațiu liber de cel puțin 10 cm în jurul aparatului.



Radio-reloj cu alarmă este alimentat cu curent alternativ. Folosiți două baterii de mărimea AAA pentru a păstra ora exactă în timpul întreruperii curentului electric.

Introduceți bateriile, respectând marcajele de polaritate (+/-) din compartimentul pentru baterii. Înlocuiți toate bateriile cu altele noi în același timp. Scoateți toate bateriile atunci când dispozitivul nu va fi utilizat pentru o perioadă lungă de timp.

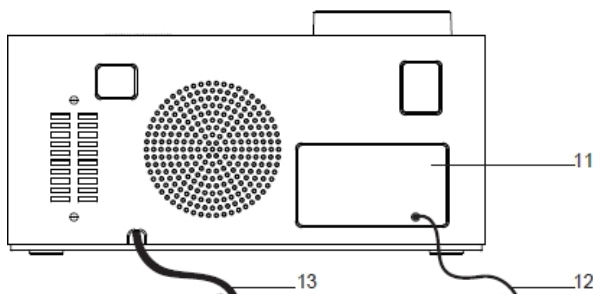
24 Funcțiile dispozitivului



1. TIMP SETAT PRESET
2. ORA/TUN-
3. MIN/TUN+
4. PROIECȚIE PORNIT/OPRIT
5. SOMN/DIMINEAȚĂ/S
OMN/SOMNOROASĂ
6. 180 FLIP
7. AL.OFF
8. AL1/VOL-
9. AL2/VOL+
10. Roata de focalizare
11. Capacul bateriei
12. Cablu de antenă
13. Cablu de alimentare



- A. Alarma 1 Buzzer
- B. Alarma 1 Radio
- C. NAP (cronometru)
- D. DORMIȚI
- E. Alarma 2 Buzzer
- F. Alarma 2 Radio



241 Setarea orei corecte

- > Pentru a seta ora corectă, opriți aparatul prin apăsarea butonului **AL.OFF (2)**.
- > Apoi apăsați butonul **TIME SET PRESET (1)** pentru mai mult timp.
- > Pentru a seta ora, apăsați butonul **HOURL / TUN- (2)**.
- > Pentru a seta minutele, utilizați butonul **MIN / TUN+ (3)**.
- > Pentru a confirma ora setată, apăsați butonul **TIME SET PRESET (1)**.

242 Acordare automată

- > Porniți ceasul de alarmă radio cu ajutorul butonului **AL.OFF (2)**.
- > Pentru a porni căutarea automată a posturilor, apăsați mai mult timp butonul **HOURL / TUN- (2)** sau **MIN / TUN+ (3)**.
- > Ceasul deșteptător radio va începe să caute automat banda, care se va opri la prima stație găsită.

243 Acordarea manuală a radioului

- > Pentru a seta frecvența de recepție corectă, utilizați butoanele **HOURL / TUN- (2)** și **MIN / TUN+ (3)**. De fiecare dată când acestea sunt apăstate, frecvența se modifică cu 0,1 MHz.

244 Salvați posturile în favorite

- > Pentru a salva un post în lista de favorite, apăsați mai mult timp butonul **TIME SET PRESET (1)**.
- > Numărul programului va clipi pe ecran. Cu ajutorul butoanelor **HOURL / TUN- (2)** sau **MIN / TUN+ (3)**, setați numărul dorit și salvați programul prin confirmarea cu **TIME SET PRESET (1)**.

245 Apelarea unui program din lista de programe radio

- > Apăsați butonul **TIME SET PRESET (1)**.
- > Fiecare apăsare succesivă schimbă numărul programului preferat cu o poziție în sus.

246 Setarea alarmei

- > Pentru a seta alarma, dezactivați ceasul cu alarmă radio prin apăsarea butonului **AL.OFF (2)**.
- > După oprirea aparatului, vă rugăm să apăsați **AL.1 / VOL- (8)** sau **AL.2 / VOL+ (9)**. Setarea orei va clipi pe afișaj.
- > Puteți alege dacă doriți ca aparatul să funcționeze în modul în timpul alarmei: Radio sau Buzzer. LED-ul cu simbolul clopotului reprezintă opțiunea cu sonerie. LED-ul cu simbolul notă este opțiunea cu radio. Apăsați butonul **AL.1 / VOL-**.

(8) sau **AL.2 /VOL+ (9)** pentru a selecta modul dorit.

- > Dacă ați selectat deja modul de alarmă, puteți seta acum ora alarmei. Apăsați **HOUR / TUN- (2)** pentru a seta și **MIN / TUN+ (3)** pentru a seta minutele.
- > Apăsați **AL.1 / VOL- (8)** sau **AL.2 / VOL+ (9)** în funcție de faptul că ați setat numărul de alarmă 1 sau numărul de alarmă 2 pentru a salva ora alarmei.

247 Activarea și dezactivarea alarmei

- > Atunci când ceasul cu alarmă radio este dezactivat, puteți alege dacă doriți ca aparatul să funcționeze în modul în timpul alarmei: Radio sau Buzzer. LED-ul cu simbolul clopotului reprezintă opțiunea cu sonerie. LED-ul cu simbolul notei este opțiunea cu radio. Apăsați **AL.1 / VOL- (8)** sau **AL.2 / VOL+ (9)** pentru a selecta modul dorit.
- > Pentru a anula alarma, apăsați **AL.1 / VOL- (8)** sau **AL.2 / VOL+ (9)** până când dispare indicatorul roșu de lângă simbolul clopoțel și notă.
- > Atunci când alarma este activată, pentru a o dezactiva, apăsați butonul **AL.OFF (2)**.

248 Funcția Snooze

- > În timpul alarmei, apăsarea butonului **NAP/DIMMER/SLEEP/SNOOZE (5)** se va opri timp de 10 minute. În timpul perioadei de somnolență, LED-ul situat lângă simbolul clopotului și al notei clipește.
- > După 10 minute, alarma va suna din nou.
- > Pentru a dezactiva complet alarma, apăsați butonul **AL.OFF (2)**, LED-ul care simbolizează tipul de alarmă va înceta să mai clipească.
- > Alarma va suna din nou a doua zi, la o oră stabilită.

249 Setarea temporizatorului de deconectare

- > Cronometrul de oprire este setat atunci când este pornit ceasul de alarmă radio.
- > Prin apăsarea butonului **NAP/DIMMER/SLEEP/SNOOZE (5)**, aveți posibilitatea de a modifica timpul după care aparatul se oprește automat.
- > Sunt disponibile următoarele setări: **10, 20, 30, 40, 50, 60, 70, 80, 90 min.** și **OFF (temporizator oprit)**.
- > Atunci când este activat temporizatorul de oprire, un LED roșu de pe ecranul radio se va aprinde pentru a indica temporizatorul.

2410 Modificarea volumului

- > În timp ce ascultați radioul, vă rugăm să apăsați **AL.1 / VOL- (8)** pentru a reduce volumul.
- > În timp ce ascultați radioul, vă rugăm să apăsați **AL.2 / VOL+ (9)** pentru a mări volumul.

2411 Modificarea intensității luminii de fundal a afișajului cu LED-uri

Sunt disponibile două setări ale luminozității ecranului.

- > Pentru a modifica luminozitatea, apăsați și mențineți apăsat butonul **NAP/DIMMER/ SLEEP/SNOOZE (5)**.
- > Apăsarea din nou a butonului **NAP/DIMMER/SLEEP/SNOOZE** pentru o perioadă mai lungă de timp **(5)** va reveni la intensitatea anterioară a LED-ului.

2412 Proiecția timpului

- > Pentru a activa proiecția timpului, apăsați butonul **PROJECTION ON/ OFF (4)**. Ora va fi proiectată și va fi vizibilă pe tavan.
- > Pentru a regla focalizarea orei afișate, vă rugăm să ajustați în mod corespunzător **Butonul de focalizare (10)**.
- > Dacă apăsați din nou butonul **PROJECTION ON/OFF (4)**, proiecția ecranului va fi oprită.

2413 Funcția FLIP

- > Pentru a inversa ora afișată pe tavan cu 180° în timpul proiecției, apăsați butonul **180 FLIP (6)**.

3 Specificații

Gama de frecvențe: FM 87,5-108 MHz

Sursă de alimentare: AC 230V ~ 50 Hz,

5W Afișaj LED: 1,2"

Dimensiunile dispozitivului: 155x63x79mm

Baterii: 2x AAA pentru memorie de rezervă*

Putere de ieșire: 0,5W

Lista stațiilor preferate: 10 poziții

Funcția de proiecție a timpului: DA

Funcția FLIP: Da

Sursa de lumină a proiecteurului: LED

NOTĂ: Alimentarea cu baterii este utilizată doar pentru a menține memoria unității în cazul unei pene de curent (de exemplu, memoria de timp). Bateriile nu sunt incluse.

4 Producător

TechniSat Digital Sp. z o.o.

ul. Poznańska 2,

Siemianice 55-120 Oborniki

Śląskie

Biroul de servicii pentru clienți

tel: +48 71 310 41 41 41, e-mail: biuro@technisat.com
Deschis de luni până vineri de la: 8:00-16:00

Návod na obsluhu

DIGICLOCK 3

Rádiobudík s LED displejom a projektorom



TechniSat

1 Bezpečnostné pokyny

1.1 Predslov

Vážení zákazníci,

Ďakujeme, že ste si vybrali rádiobudík TechniSat.

Tento návod na obsluhu vám má pomôcť oboznámiť sa s funkciami vášho nového zariadenia a optimálne ich využívať. Pomôže vám používať rádiobudík bezpečne a v súlade s jeho určením. Je určený pre každého, kto prístroj inštaluje, obsluhuje, čistí alebo likviduje.

Návod na obsluhu si uschovajte na bezpečnom mieste, aby ste doň mohli v budúcnosti nahliadnuť.

Tím TechniSat

12 Použité symboly a značky

V tejto príručke:



Označuje bezpečnostný pokyn, ktorého nedodržanie môže spôsobiť vážne zranenie alebo smrť. Dodržiavajte nasledujúce signálne slová:

NEBEZPEČENSTVO - Vážne poranenie s následkom smrti.

VAROVANIE - Vážne zranenie osôb, ktoré môže viesť k smrti.

POZNÁMKA - Zranenia.



Uvádza poznámku, ktorú je potrebné dodržiavať, aby sa predišlo poruchám zariadenia, strate/zneužitiu údajov alebo neúmyselnej prevádzke. Popisuje aj ďalšie funkcie zariadenia.



Varovanie pred elektrickým napätím. Dodržiavajte všetky bezpečnostné pokyny, aby ste sa vyhli úrazu elektrickým prúdom. Spotrebič nikdy neotvárajte.

V zariadení:



Použitie v interiéri - spotrebiče označené týmto symbolom sú vhodné len na použitie v interiéri.



Vaše zariadenie má označenie CE a spĺňa všetky požadované normy EÚ.



Tento spotrebič bol navrhnutý a vyrobený z vysokokvalitných materiálov a komponentov, ktoré sú recyklovateľné. Symbol preškrtnutého koša na kolieskach znamená, že výrobok podlieha separovanému zberu v súlade so smernicou Európskeho parlamentu a Rady 2012/19/EÚ a v súlade so smernicou Európskeho parlamentu a Rady 2006/66/ES a informuje, že elektrické a elektronické zariadenia a batérie a akumulátory sa po skončení ich životnosti nesmú likvidovať

iný odpad z domácností. Používateľ je povinný odovzdať ho zberateľovi odpadu z elektrických a elektronických zariadení, ako aj batérií a akumulátorov, ktorý zaviedol systém zberu takéhoto odpadu, a to aj do príslušnej predajne, miestneho zberného miesta alebo obecnej jednotky. Odpad zo zariadení môže mať škodlivý vplyv na životné prostredie a ľudské zdravie vzhľadom na možný obsah nebezpečných látok, zmesí a zložiek. Domácnosť zohráva dôležitú úlohu pri prispievaní k opätovnému použitiu a zhodnoteniu vrátane recyklácie odpadových zariadení. V tejto fáze sa formujú postoje, ktoré ovplyvňujú zachovanie spoločného dobra, ktorým je čisté životné prostredie. Domácnosti sú tiež jedným z najväčších používateľov malých zariadení a racionálne hospodárenie s týmito zariadeniami ovplyvňuje zhodnocovanie druhotných surovín. V prípade nesprávnej likvidácie tohto výrobku môžu byť uložené sankcie v súlade s vnútroštátnymi právnymi predpismi. Na konci životného cyklu výrobku by sa nemal likvidovať v odpad z bežného domového odpadu, ale na zberné miesto pre odpad z elektrických a elektronických zariadení. Je to označené symbolom na výrobku, v návode na použitie alebo na obale. Materiály sú recyklovateľné podľa označenia. Opätovným použitím, recykláciou alebo iným spôsobom recyklácie starého zariadenia významne prispievate k ochrane životného prostredia.

1.3 Účel

TechniSat DIGICLOCK 3 je určený na príjem rozhlasového vysielania v pásme FM. Zariadenie je určené na súkromné použitie a nie je vhodné na komerčné účely.

1.4 Bezpečná manipulácia

Dodržiavajte nasledujúce pokyny, aby ste minimalizovali bezpečnostné riziká, zabránili poškodeniu zariadenia a prispeli k ochrane životného prostredia. Pozorne si prečítajte všetky bezpečnostné pokyny a uschovajte si ich pre budúce použitie. Vždy dodržiavajte všetky upozornenia a pokyny uvedené v tomto návode a na zadnej strane spotrebiča.



NEBEZPEČENSTVO!

Spotrebič nikdy neotvárajte!
Dotyk živých komponentov je životu nebezpečný!



VAROVANIE!

Nebezpečenstvo udusenía! Obal a jeho časti nenechávajú v starostlivosti detí.
Nebezpečenstvo udusenía fóliou a inými obalovými materiálmi!



Aby sa zabezpečilo správne používanie spotrebiča a predišlo sa jeho poškodeniu a zraneniu osôb, je potrebné dodržiavať všetky nasledujúce pokyny.

- Spotrebič neopravujte sami. Opravy by mali vykonávať len vyškolení odborníci. Kontaktujte

naše strediská služieb zákazníkom.

- Zariadenie sa smie prevádzkovať len v podmienkach prostredia, ktoré sú preň určené.
- Spotrebič nevystavujte kvapkajúcej alebo striekajúcej vode. Ak sa do spotrebiča dostane voda, vypnite ho a informujte servisné oddelenie.
- Okrem bežného používania nevystavujte prístroj zdrojom tepla, ktoré ho zahrievajú.
- V prípade viditeľnej poruchy spotrebiča, zápachu alebo dymu, závažných porúch alebo poškodenia krytu sa okamžite obráťte na servisné stredisko.
- Zariadenie sa môže prevádzkovať len pri určenom sieťovom napätí. Nikdy sa nepokúšajte prevádzkovať prístroj pri inom napätí.
- Ak je jednotka poškodená, nesmie sa prevádzkovať.
- Prístroj nepoužívajte v blízkosti vaní, spŕch, bazénov alebo tečúcej/striekajúcej vody. Hrozí nebezpečenstvo úrazu elektrickým prúdom a/alebo poškodenia zariadenia.
- Do prístroja nesmú spadnúť cudzie predmety, napr. ihly, mince atď. Nedotýkajte sa kovovými predmetmi alebo prstami pripojovacích kontaktov. Môže to spôsobiť skrat.
- Spotrebič nie je určený na používanie osobami (vrátane detí) so zníženými fyzickými, zmyslovými alebo duševnými schopnosťami alebo s nedostatočnými skúsenosťami a/alebo znalosťami, pokiaľ neboli pod dohľadom alebo neboli poučené o používaní spotrebiča osobou zodpovednou za ich bezpečnosť.
- Je zakázané vykonávať zmeny na zariadení.
- Nikdy sa nepozerajte priamo alebo pomocou optických prístrojov do svetelného lúča projektora. Hrozí poškodenie zraku!

1.41 Právne usmernenia



Spoločnosť TechniSat týmto vyhlasuje, že rádiové zariadenie typu DIGICLOCK 3 (76- 4903-00) je v súlade so smernicou 2014/53/EÚ a RoHS. Úplné znenie EÚ vyhlásenia o zhode je k dispozícii na tejto webovej adrese:

[pnh://konf.tsat.de/?ID=22886](http://konf.tsat.de/?ID=22886)



Spoločnosť TechniSat nezodpovedá za poškodenie výrobku spôsobené vonkajšími vplyvmi, opotrebovaním alebo nesprávnym zaobchádzaním, neautorizovanými opravami, úpravami alebo nehodami.



Môže dôjsť k zmenám a tlačovým chybám. Kopírovanie a rozmnožovanie

len so súhlasom vydavateľa. Najnovšia verzia príručky je k dispozícii vo formáte PDF v oblasti na stiahnutie na domovskej stránke TechniSat na adrese www.technisat.pl.

1.42 Informácie o službách

- i** Tento výrobok je testovaný na kvalitu a poskytuje sa naň zákonná záruka 24 mesiacov od dátumu nákupu. Ako doklad o kúpe si uschovajte potvrdenie o kúpe. V prípade záručnej reklamácie hradí náklady na poštovné priamo výrobcovi zákazník.
- i** V prípade otázok a informácií alebo problémov s týmto zariadením je k dispozícii naša technická horúca linka: pondelok. - od 8:00 do 16:00 hod. na telefónnom čísle: +71 310 41 48.
- i** Ručiteľ sa v rámci poskytnutej záruky zaväzuje na vlastné náklady odstrániť prípadné vady výrobku. Odstránenie väd sa uskutoční výmenou vadného výrobku za nový, bezchybný výrobok alebo jeho opravou.
- i** Na uplatnenie záruky je kupujúci povinný nahlásiť vadu výrobku na predajnom mieste, kde bol výrobok zakúpený, a dodať tam chybný výrobok. Výrobok by mal byť dodaný kompletne.
- i** Záruka sa nevzťahuje na chyby výrobku spôsobené kupujúcim alebo vyplývajúce z:
- používať alebo inštalovať výrobok spôsobom, ktorý nie je v súlade s návodom na použitie,
 - nesprávne skladovanie alebo údržba spotrebiča,
 - opravy alebo úpravy výrobku vykonané neoprávnenými osobami,
 - vniknutie kvapalín alebo cudzích telies,
 - údery blesku a prepätia v elektrickom vedení
- i** Ustanovenia záruky nevyklučujú, neobmedzujú ani nepozastavujú práva kupujúcich (spotrebiteľov) podľa všeobecne platných právnych predpisov (záruka).
- i** Ak chcete získať podrobné informácie o Výrobku vrátane pravidiel a postupov záručného postupu, pridelenia čísla RMA, je možné telefonicky 71 310 41 48 alebo e-mailom serwis@technisat.com , v pracovných dňoch, Od 8.00 do 16.00 h. **Žiadosti o služby ON-LINE prostredníctvom www.serwis.technisat.com.**

2 Popis zariadenia

21 Obsah zariadenia

Skontrolujte, či sú zahrnuté nasledujúce položky: 1x TechniSat DIGICLOCK 3
1x používateľská príručka

22 Špeciálne funkcie

Rádio má tieto špeciálne funkcie:

- Príjem rádia FM.
- Rozsah príjmu UKW 87,5-108 MHz (analogový).
- LED displej.
- RMS zvukový výkon 0,5 W.
- Programová pamäť 10 pre stanice FM.
- LED projektor s funkciou FLIP

23 Príprava zariadenia na prevádzku

23.1 Nastavenie drôtovej antény

Počet a kvalita prijímaných staníc závisí od podmienok príjmu v mieste inštalácie. Vynikajúci príjem možno dosiahnuť pomocou drôtovej antény.

> Umiestnite drôtovú anténu pozdĺžne.



Presné umiestnenie drôtovej antény je často dôležité, najmä v okrajových oblastiach príjmu FM.



Prvé vyhľadávanie začnite pri okne smerom k stožiaru vysielача. Za zlého počasia môže byť príjem obmedzený.



Počas prehrávania stanice sa nedotýkajte drôtovej antény. Môže to viesť k rušeniu príjmu a k zoslabeniu zvuku.

23.2 Pripojenie k napájaniu



VAROVANIE!

Nedotýkajte sa zástrčky mokrými rukami, hrozí nebezpečenstvo úrazu elektrickým prúdom!



POZOR!

Umiestnite sieťový kábel tak, aby oň nikto nezakopol.

- > Zapojte sieťovú zástrčku zariadenia DIGICLOCK 3 do sieťovej zásuvky (AC 230V ~ 50Hz).
- > Pred pripojením spotrebiča do zásuvky sa uistite, že prevádzkové napätie spotrebiča zodpovedá miestnemu sieťovému napätiu.



Ak zástrčku nepoužívate, vyťahnite ju zo zásuvky. Vyťahnite zástrčku, nie kábel. Pred búrkou odpojte zariadenie zo zásuvky. Odpojte spotrebič zo zásuvky, ak sa nebude dlhší čas používať, napr. pred nástupom na dlhú cestu. Teplota vznikajúca počas prevádzky sa musí odvádzať primeranou cirkuláciou

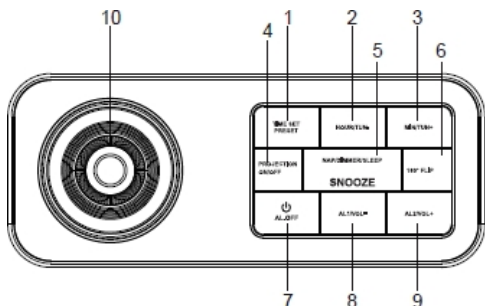
vzduchu. Preto spotrebič nezakrývajte

ani ho neumiestňujte do uzavretej skrinky. Okolo spotrebiča zabezpečte voľný priestor aspoň 10 cm.



Rádiobudík je napájaný striedavým prúdom. Na udržanie presného času pri výpadku elektrickej siete použijete dve batérie veľkosti AAA. Vložte batérie podľa označenia polarít (+/-) v priehradke na batérie. Vymeňte všetky batérie za nové súčasne. Ak sa zariadenie nebude dlhší čas používať, vyberte všetky batérie.

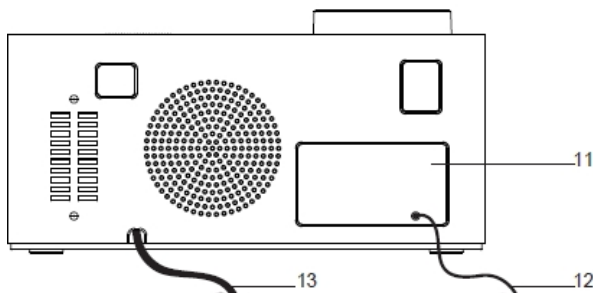
24 Funkcie zariadenia



1. ČASOVÁ PREDVOĽBA
2. HOUR/TUN-
3. MIN/TUN+
4. ZAPNUTIE/VYPNUTIE PROJEKcie
5. ZDRIEMNUTIE / STLMENIE / SPÁNOK / DRIEMANIE
6. 180 FLIP
7. AL.OFF
8. AL1/VOL-
9. AL2/VOL+



10. Zaostrovací koliesko
11. Kryt batérie
12. Anténny kábel
13. Napájací kábel



- A. Bzučiak alarmu 1
- B. Alarm 1 Rádio
- C. NAP (časovač)
- D. SLEEP
- E. Bzučiak alarmu 2
- F. Alarm 2 Rádio

241 Nastavenie správneho času

- > Ak chcete nastaviť správny čas, vypnite prístroj stlačením tlačidla **AL.OFF (2)**.
- > Potom dlhšie stlačte tlačidlo **TIME SET PRESET (1)**.
- > Ak chcete nastaviť čas, stlačte tlačidlo **HOURL / TUN- (2)**.
- > Ak chcete nastaviť minúty, použite tlačidlo **MIN / TUN+ (3)**.
- > Nastavený čas potvrdíte stlačením tlačidla **TIME SET PRESET (1)**.

242 Automatické ladenie

- > Zapnite rádiobudík pomocou tlačidla **AL.OFF (2)**.
- > Ak chcete spustiť automatické vyhľadávanie staníc, stlačte dlhšie tlačidlo **HOURL / TUN- (2)** alebo **MIN / TUN+ (3)**.
- > Rádiobudík začne automaticky vyhľadávať pásmo, ktoré sa zastaví na prvej nájdenej stanici.

243 Manuálne ladenie rádia

- > Ak chcete nastaviť správnu frekvenciu príjmu, použite tlačidlá **HOURL / TUN- (2)** a **MIN / TUN+ (3)**. Pri každom ich stlačení sa frekvencia zmení o 0,1 MHz.

244 Uloženie staníc do obľúbených

- > Ak chcete uložiť stanicu do zoznamu obľúbených staníc, stlačte tlačidlo **TIME SET PRESET (1)** dlhšie.
- > Číslo programu bude na obrazovke blikať. Pomocou tlačidiel **HOURL / TUN- (2)** alebo **MIN / TUN+ (3)** nastavte požadované číslo a uložte program potvrdením tlačidla **TIME SET PRESET (1)**.

245 Vyvolanie programu zo zoznamu rozhlasových programov

- > Stlačte tlačidlo **TIME SET PRESET (1)**.
- > Každým ďalším stlačením sa číslo obľúbeného programu zmení o jednu pozíciu nahor.

246 Nastavenie budíka

- > Ak chcete nastaviť budík, vypnite rádiobudík stlačením tlačidla **AL.OFF (2)**.
- > Po vypnutí zariadenia stlačte tlačidlo **AL.1 / VOL- (8)** alebo **AL.2 / VOL+ (9)**. Na displeji bude blikať nastavený čas.
- > Môžete si vybrať, či má zariadenie počas budíka pracovať v režime: Rádio alebo bzučiak. LED dióda so symbolom zvončeka je možnosť so zvukovým signálom. LED dióda so symbolom noty je možnosť s rádiom. Stlačte tlačidlo **AL.1 / VOL-**

(8) alebo **AL.2 /VOL+ (9)** na výber požadovaného režimu.

- > Ak ste už vybrali režim budíka, môžete teraz nastaviť čas budíka. Stlačením tlačidla **HOUR (Hodiny) / TUN- (2)** nastavte a tlačidlom **MIN (Min) / TUN+ (3)** nastavte minúty.
- > Stlačte **AL.1 / VOL- (8)** alebo **AL.2 / VOL+ (9)** podľa toho, či ste nastavili číslo alarmu 1 alebo číslo alarmu 2, aby ste uložili čas budíka.

247 Aktivácia a deaktivácia alarmu

- > Keď je rádiobudík vypnutý, môžete si vybrať, či má zariadenie počas budenia pracovať v režime: Rádio alebo bzučiak. LED dióda so symbolom zvončeka predstavuje možnosť so zvukovým signálom. LED dióda so symbolom noty je možnosť s rádiom. Stlačením tlačidla **AL.1 / VOL- (8)** alebo **AL.2 / VOL+ (9)** vyberte požadovaný režim.
- > Ak chcete zrušiť budík, stlačte **AL.1 / VOL- (8)** alebo **AL.2 / VOL+ (9)**, kým nezmizne červený indikátor vedľa symbolu zvončeka a poznámky.
- > Ak je alarm aktivovaný, stlačte tlačidlo, aby ste ho deaktivovali. **AL.OFF (2)**.

248 Funkcia Snooze

- > Počas budíka stlačením tlačidla **NAP/DIMMER/SLEEP/SNOOZE (5)** sa vypne na 10 min. Počas doby zdriemnutia bliká LED dióda umiestnená vedľa symbolu zvončeka a poznámky.
- > Po 10 minútach sa budík opäť spustí.
- > Ak chcete alarm úplne vypnúť, stlačte tlačidlo **AL.OFF (2)**, LED dióda symbolizujúca typ alarmu prestane blikáť.
- > Budík zaznie znova nasledujúci deň v nastavenom čase.

249 Nastavenie časovača vypnutia

- > Časovač vypnutia sa nastaví po zapnutí rádiobudíka.
- > Stlačením tlačidla **NAP/DIMMER/SLEEP/SNOOZE (5)** máte možnosť zmeniť čas, po ktorom sa prístroj automaticky vypne.
- > K dispozícii sú tieto nastavenia: **10, 20, 30, 40, 50, 60, 70, 80, 90 min.** a **OFF (časovač vypnutý)**.
- > Po aktivácii časovača vypnutia sa na displeji rádia rozsvieti červená kontrolka, ktorá signalizuje časovač.

2410 Zmena hlasitosti

- > Počas počúvania rádia stlačte **AL.1 / VOL- (8)**, aby ste znížili hlasitosť.
- > Počas počúvania rádia stlačte **AL.2 / VOL+ (9)**, aby ste zvýšili hlasitosť.

24.11 Zmena intenzity podsvietenia displeja LED

K dispozícii sú dve nastavenia jasu obrazovky.

- > Ak chcete zmeniť jas, stlačte a podržte tlačidlo **NAP/DIMMER/SLEEP/SNOOZE (5)**.
- > Opätovné stlačenie tlačidla **NAP/DIMMER/SLEEP/SNOOZE na dlhšiu dobu (5)** sa vráti na predchádzajúcu intenzitu LED.

24.12 Časová projekcia

- > Ak chcete aktivovať časovú projekciu, stlačte tlačidlo **PROJECTION ON/OFF (4)**. Čas sa premietne a bude viditeľný na strope.
- > Ak chcete upraviť zaostrenie zobrazeného času, nastavte ho zodpovedajúcim spôsobom.
Zaostrovací gombík (10).
- > Opätovným stlačením tlačidla **PROJEKCIA ZAP/VYP (4)** sa projekcia vypne.

24.13 Funkcia FLIP

- > Ak chcete počas premietania obrátiť čas zobrazený na strope o 180o, stlačte tlačidlo **180 FLIP (6)**.

3 Špecifikácia

Frekvenčný rozsah: Frekvenčný rozsah:

FM 87,5-108 MHz Zdroj energie: Zdroj:

AC 230V ~ 50 Hz, 5W LED displej: 1,2"

Rozmery zariadenia: 155x63x79mm

Batérie: Výstupný výkon: 0,5 W

Zoznam obľúbených staníc: Funkcia

časovej projekcie: ÁNO Funkcia

FLIP: ÁNO

Zdroj svetla projektora: LED

POZNÁMKA: Napájanie z batérie sa používa len na udržiavanie pamäte jednotky v prípade výpadku napájania (napr. časová pamäť). Batérie nie sú súčasťou dodávky.

4 Výrobca

TechniSat Digital Sp. z o.o.
ul. Poznańska 2,
Siemianice 55-120 Oborniki
Śląskie

Kancelária služieb zákazníkom
tel.: +48 71 310 41 41, e-mail: biuro@technisat.com
Otvorené od pondelka do piatku od: 8:00-16:00

Navodila za uporabo

DIGICLOCK 3

Radijska budilka z zaslonom LED in projektorjem



TechniSat

1 Varnostna navodila

1.1 Predgovor

Spoštovane stranke,

Hvala, ker ste izbrali radijsko budilko TechniSat.

Ta navodila za uporabo so namenjena temu, da se seznanite s funkcijami svoje nove naprave in jih optimalno uporabljate. Pomagalo vam bo, da boste radijsko budilko uporabljali varno in v skladu z njeno predvideno uporabo. N a m e n j e n a so vsem, ki napravo nameščajo, upravljajo, čistijo ali odstranjujejo.

Navodila za uporabo shranite na varnem mestu za kasnejšo uporabo.

Ekipa TechniSat

1.2 Uporabljeni simboli in oznake

V tem priročniku:



Označuje varnostno navodilo, katerega neupoštevanje lahko povzroči hude telesne poškodbe ali smrt. Upoštevajte naslednje signalne besede:

NEVARNOST - resne poškodbe s smrtnim izidom.

OPOZORILO - hude telesne poškodbe, ki lahko povzročijo smrt.

OPOMBA - Poškodbe.



Označuje previdnost, ki jo je treba upoštevati, da bi se izognili motnjam v delovanju naprave, izgubi/nepravilni uporabi podatkov ali nenamernemu delovanju. Opisane so tudi nadaljnje funkcije naprave.



Opozorilo pred električno napetostjo. Upoštevajte vsa varnostna navodila, da se izognete električnemu udaru. Naprave nikoli ne odpirajte.

V napravi:



Uporaba v zaprtih prostorih - naprave, označene s tem simbolom, so primerne samo za uporabo v zaprtih prostorih.



Vaša naprava ima oznako CE in izpolnjuje vse zahtevane standarde EU.



Ta naprava je bila zasnovana in izdelana iz visokokakovostnih materialov in sestavnih delov, ki jih je mogoče reciklirati. Simbol prečrtanega zabojnika na kolesih pomeni, da je izdelek predmet ločenega zbiranja v skladu z Direktivo Evropskega parlamenta in Sveta 2002/96/ES ter obvešča, da se električna in elektronska oprema ter baterije in akumulatorji po preteku njihove življenjske dobe ne smejo odstranjevati z

druge gospodinjske odpadke. Uporabnik ga mora oddati zbiralcu odpadne električne in elektronske opreme ter baterij in akumulatorjev, ki je vzpostavil sistem zbiranja teh odpadkov, vključno z ustrežno trgovino, lokalno zbiralnico ali občinsko enoto. Odpadna oprema lahko zaradi morebitne vsebnosti nevarnih snovi, zmesi in sestavnih delov škodljivo vpliva na okolje in zdravje ljudi. Gospodinjstvo ima pomembno vlogo pri prispevanju k ponovni uporabi in predelavi, vključno z recikliranjem, odpadne opreme. Na tej stopnji se oblikujejo stališča, ki vplivajo na ohranjanje skupnega dobrega, to je čistega okolja. Gospodinjstva so tudi eden največjih uporabnikov majhne opreme, racionalno ravnanje s to opremo pa vpliva na predelavo sekundarnih surovin. V primeru nepravilnega odstranjevanja tega izdelka se lahko naložijo kazni v skladu z nacionalno zakonodajo. Ob koncu življenjskega cikla izdelka se ga ne sme odlagati v smeti iz običajnih gospodinjskih odpadkov, temveč na zbirno mesto za odpadno električno in elektronsko opremo. To je označeno s simbolom na izdelku, navodilih za uporabo ali embalaži. Materiale je mogoče reciklirati v skladu z oznako. S ponovno uporabo, recikliranjem ali drugim načinom predelave stare opreme pomembno prispevate k varovanju okolja.

1.3 Namen

TechniSat DIGICLOCK 3 je zasnovan za sprejem radijskih oddaj FM. Naprava je namenjena zasebni uporabi in ni primerna za komercialne namene.

1.4 Varno ravnanje

Upošteвайте naslednja navodila, da zmanjšate varnostna tveganja, preprečite poškodbe opreme in prispevate k varovanju okolja.

Pozorno preberite vsa varnostna navodila in jih shranite za poznejšo uporabo. Vedno upošteвайте vsa opozorila in navodila v tem priročniku in na zadnji strani naprave.



NEVARNOST!

Naprave nikoli ne odpirajte!

Dotik živih komponent je življenjsko nevaren!



OPOZORILO!

Nevarnost zadušitve! Embalaže in njenih delov ne puščajte v oskrbi otrok.

Nevarnost zadušitve zaradi folij in drugih embalažnih materialov!



Da bi zagotovili pravilno uporabo aparata in se izognili poškodbam aparata ter telesnim poškodbam, je treba upoštevati vsa naslednja navodila.

- Naprave ne popravljajte sami. Popravila lahko izvajajo le usposobljeni strokovnjaki. Obrnite se na

naših centrov za pomoč strankam.

- Napravo je dovoljeno uporabljati le v okoljskih pogojih, ki so zanjo določeni.
- Naprave ne izpostavljajte kapljajoči ali brizgajoči vodi. Če voda vdre v aparat, ga izklopite in obvestite servisno službo.
- Enote ne izpostavljajte virom toplote, ki jo poleg običajne uporabe segrevajo.
- V primeru opazne napake na aparatu, vonja ali dima, večjih napak ali poškodb ohišja se takoj obrnite na servisni center.
- Naprava lahko deluje le pri predpisani omrežni napetosti. Naprave nikoli ne uporabljajte pri kateri koli drugi napetosti.
- Če je enota poškodovana, je ne smete uporabljati.
- Naprave ne uporabljajte v bližini kopalnih kadi, tušev, bazenov ali tekoče/plešoče vode. Obstaja nevarnost električnega udara in/ali poškodbe opreme.
- V napravo ne smejo padati tuji predmeti, npr. igle, kovanci itd. Ne dotikajte se priključnih kontaktov s kovinskimi predmeti ali prsti. To lahko povzroči kratek stik.
- Naprave ne smejo uporabljati osebe (vključno z otroki) z zmanjšanimi fizičnimi, senzoričnimi ali duševnimi sposobnostmi ali osebe s pomanjkanjem izkušenj in/ali znanja, razen če jih pri uporabi naprave nadzoruje ali jim daje navodila oseba, ki je odgovorna za njihovo varnost.
- Na napravi je prepovedano izvajati spremembe.
- Nikoli ne glejte neposredno ali z optičnimi instrumenti v svetlobni snop projektorja. Nevarnost poškodbe vida!

1.41 Pravne smernice



Družba TechniSat izjavlja, da je radijska naprava tipa DIGICLOCK 3 (76- 4903-00) skladna z Direktivo 2014/53/EU in RoHS. Celotno besedilo izjave EU o skladnosti je na voljo na naslednjem spletnem naslovu:

[pnh://konf.tsat.de/?ID=22886](http://konf.tsat.de/?ID=22886)



Družba TechniSat ni odgovorna za poškodbe izdelka, ki so posledica zunanjih vplivov, obrabe ali nepravilnega ravnanja, nepooblaščenih popravil, sprememb ali nesreč.



Ob upoštevanju sprememb in tiskarskih napak. Kopiranje in razmnoževanje

samo z dovoljenjem založnika. Najnovejša različica priročnika je na voljo v formatu PDF v območju za prenos na domači strani TechniSat na naslovu www.technisat.pl.

142 Informacije o storitvah



Ta izdelek je kakovostno preizkušen in ima zakonsko določeno garancijsko obdobje 24 mesecev od datuma nakupa. Kot dokazilo o nakupu shranite potrdilo o prejemu računa. V primeru garancijskega zahtevka stroške poštnine neposredno pri proizvajalcu plača kupec.



Za vprašanja in informacije ali v primeru težav s to napravo je na voljo naša tehnična telefonska številka: ponedeljek. - do petka, od 8:00 do 16:00, na telefonski številki: +71 310 41 48.



Garant se zavezuje, da bo v okviru odobrenega jamstva na lastne stroške odpravil morebitne napake na izdelku. Odstranitev napak se izvede z zamenjavo izdelka z napako z novim izdelkom brez napak ali s popravilom.



Za uveljavljanje garancije mora kupec na prodajnem mestu, kjer je bil izdelek kupljen, prijaviti napako na izdelku in tja dostaviti izdelek z napako. Izdelek je treba dostaviti popoln.



Garancija ne krije napak izdelka, ki jih je povzročil kupec ali so posledica:

- izdelka ne smete uporabljati ali namestiti na način, ki ni v skladu z navodili za uporabo,
- nepravilno shranjevanje ali vzdrževanje naprave,
- popravila ali spremembe izdelka, ki jih opravijo nepooblaščen osebe,
- vdor tekočin ali tujih teles,
- udari strele in prenapetosti električnega omrežja.



Določbe garancije ne izključujejo, omejujejo ali ukinjajo pravic kupcev (potrošnikov) po splošno veljavni zakonodaji (garancija).



Za pridobitev podrobnih informacij o izdelku, vključno s pravili in postopki za garancijski postopek, dodelitev številke RMA, je mogoče po telefonu 71 310 41 48 ali e-pošti serwis@technisat.com, ob delovnih dneh, Od 8.00 do 16.00 **Zahteve za storitve ON-LINE prek spletne strani www.serwis.technisat.com.**

2 Opis naprave

21 Vsebina naprave

Preverite, ali so vključeni naslednji elementi: 1x
TechniSat DIGICLOCK 3
1x uporabniški priročnik

22 Posebne značilnosti

Radio ima naslednje posebne funkcije:

- Sprejem radia FM.
- Razpon sprejema UKW 87,5-108 MHz (analogno).
- Prikazovalnik LED.
- RMS avdio moč 0,5 W.
- Programski pomnilnik 10 za postaje FM.
- Projektor LED s funkcijo FLIP

23 Priprava naprave na delovanje

23.1 Nastavitev žične antene

Število in kakovost sprejetih postaj sta odvisna od sprejemnih pogojev na mestu namestitve. Odličen sprejem lahko dosežete z žično anteno.

> Žično anteno namestite vzdolžno.



Natančna postavitev žične antene je pogosto pomembna, zlasti na obrobni območjih sprejema FM.



Prvo iskanje začnite pri oknu proti jamboru oddajnika.
V slabem vremenu je lahko sprejem omejen.



Med predvajanjem postaj se ne dotikajte žične antene. To lahko povzroči motnje pri sprejemu in zbledenje zvoka.

23.2 Priključitev na napajanje



OPOZORILO!

Ne dotikajte se vtiča z mokrimi rokami, nevarnost električnega udara!



POZOR!

Omrežni kabel namestite tako, da se nihče ne spotakne ob njega.

- > Omrežni vtič naprave DIGICLOCK 3 vtaknite v omrežno vtičnico (AC 230V ~ 50Hz).
- > Pred priključitvijo aparata v stensko vtičnico se prepričajte, da delovna napetost aparata ustreza lokalni omrežni napetosti.



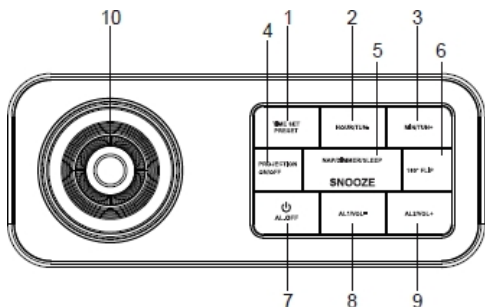
Ko vtiča ne uporabljate, ga izvlecite iz vtičnice. Potegnite vtič in ne kabla. Pred nevihto napravo izključite iz električnega omrežja. Napravo izključite iz vtičnice, če je ne boste uporabljali dlje časa, npr. preden se odpravite na daljše potovanje. Toplota, ki nastane med delovanjem, se mora odvajati z ustreznim kroženjem zraka. Zato naprave ne pokrivajte

нити ga ne postavite v zaprto omaro. Okoli naprave zagotovite najmanj 10 cm prostega prostora.



Radijska budilka se napaja z izmeničnim tokom. Uporabite dve bateriji velikosti AAA, da ohranite natančen čas med izpadom električnega omrežja. Vstavite baterije in upoštevajte oznake polarnosti (+/-) v predalu za baterije. Vse baterije hkrati zamenjajte z novimi. Če naprave dalj časa ne boste uporabljali, odstranite vse baterije.

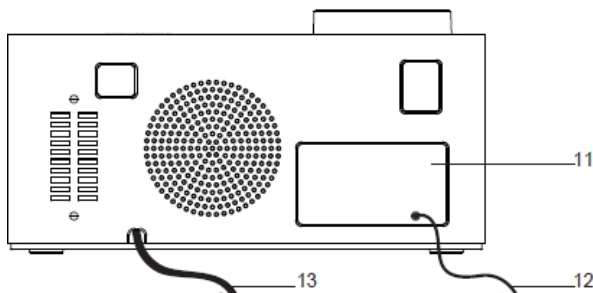
24 Funkcije naprave



1. ČASOVNO NASTAVITEV
PREDNASTAVITEV
2. HOUR/TUN-
3. MIN/TUN+
4. VKLOP/IZKLOP PROJEKCIJE
5. DREMEŽ/DIMER/SPANJE/DREMANJE
6. 180 FLIP
7. AL OFF
8. AL1/VOL-
9. AL2/VOL+
10. Fokusno kolo
11. Pokrov baterije
12. Kabel antene
13. Napajalni kabel



- A. Alarm 1 Buzzer
- B. Alarm 1 Radio
- C. NAP (časovnik)
- D. SLEEP
- E. Alarm 2 Buzzer
- F. Alarm 2 Radio



241 Nastavitev pravičnega časa

- > Če želite nastaviti pravičnega časa, izklopite napravo s pritiskom na gumb **AL.OFF (2)**.
- > Nato dlje časa pritisnite gumb **TIME SET PRESET (1)**.
- > Če želite nastaviti čas, pritisnite gumb **HOURL / TUN- (2)**.
- > Za nastavitve minut uporabite gumb **MIN / TUN+ (3)**.
- > Za potrditev nastavljenega časa pritisnite gumb **TIME SET PRESET (1)**.

242 Samodejno nastavljanje

- > Radijsko budilko vklopite z gumbom **AL.OFF (2)**.
- > Če želite zagnati samodejno iskanje postaj, dlje pritisnite gumb **HOURL / TUN- (2)** ali **MIN / TUN+ (3)**.
- > Radijska budilka bo začela samodejno iskati pas, ki se bo ustavil pri prvi najdeni postaji.

243 Ročno nastavljanje radia

- > Za nastavitve pravične frekvence sprejema uporabite gumba **HOURL / TUN- (2)** in **MIN / TUN+ (3)**. Vsakič, ko ju pritisnete, se frekvenca spremeni za 0,1 MHz.

244 Shranjevanje postaj v priljubljene

- > Če želite postajo shraniti na seznam priljubljenih, dlje pritisnite gumb **TIME SET PRESET (1)**.
- > Na zaslonu utripa številka programa. Z gumboma **HOURL / TUN- (2)** ali **MIN / TUN+ (3)** nastavite želeno številko in shranite program s potrditvijo s **TIME SET PRESET (1)**.

245 Klicanje programa s seznama radijskih programov

- > Pritisnite gumb **TIME SET PRESET (1)**.
- > Vsak naslednji pritisk spremeni številko priljubljenega programa za eno mesto navzgor.

246 Nastavitev alarma

- > Če želite nastaviti alarm, izklopite radijsko budilko s pritiskom na gumb **AL.OFF (2)**.
- > Po izklopu naprave pritisnite **AL.1 / VOL- (8)** ali **AL.2 / VOL+ (9)**. Na zaslonu bo utripala nastavitve časa.
- > Izberete lahko, ali želite, da naprava med alarmom deluje v načinu: Radio ali zvočni signal. Svetlobna dioda s simbolom zvonca je možnost z zvočnim signalom. Svetleča dioda s simbolom note je možnost z radijem. Pritisnite gumb **AL.1 / VOL-**.

(8) ali **AL.2 /VOL+ (9)**, da izberete želeni način.

- > Če ste že izbrali način alarma, lahko zdaj nastavite čas alarma. Pritisnite **HOUR / TUN- (2)** za nastavev in **MIN / TUN+ (3)** za nastavev minut.
- > Pritisnite **AL.1 / VOL- (8)** ali **AL.2 / VOL+ (9)**, odvisno od tega, ali ste nastavili številko alarma 1 ali številko alarma 2, da shranite čas alarma.

247 Aktivacija in deaktivacija alarma

- > Ko je radijska budilka izklopljena, lahko izberete, ali naj naprava med alarmom deluje v načinu: Radio ali zvočni signal. Svetlobna dioda s simbolom zvonca je možnost z zvočnim signalom. Svetleča dioda s simbolom note je možnost z radijskim sprejemnikom. Pritisnite **AL.1 / VOL- (8)** ali **AL.2 / VOL+ (9)**, da izberete želeni način.
- > Če želite preklicati alarm, pritisnite **AL.1 / VOL- (8)** ali **AL.2 / VOL+ (9)**, dokler ne izgine rdeči indikator poleg simbola zvonca in note.
- > Ko je alarm aktiviran, ga lahko deaktivirate tako, da pritisnete gumb **AL.OFF (2)**.

248 Funkcija dremeža

- > Če med alarmom pritisnete gumb **NAP/DIMMER/SLEEP/SNOOZE (5) se izklopi** za 10 min. V času dremeža utripa LED dioda ob simbolu zvonca in opombe.
- > Po 10 minutah se bo alarm ponovno oglasil.
- > Če želite popolnoma izklopiti alarm, pritisnite gumb **AL.OFF (2)**, LED dioda, ki simbolizira vrsto alarma, bo prenehala utripati.
- > Alarm se bo ponovno oglasil naslednji dan ob določeni uri.

249 Nastavitev časovnika izklopa

- > Časovnik izklopa se nastavi, ko je vklopljena radijska budilka.
- > S pritiskom na gumb **NAP/DIMMER/SLEEP/SNOOZE (5)** lahko spremenite čas, po katerem se naprava samodejno izklopi.
- > Na voljo so naslednje nastavitve: **10, 20, 30, 40, 50, 60, 70, 80, 90 min** in **OFF (izklop časovnika)**.
- > Ko je aktiviran časovnik izklopa, se na radijskem zaslonu prižge rdeča dioda LED, ki označuje časovni stik.

2410 Spreminjanje glasnosti

- > Med poslušanjem radia pritisnite **AL.1 / VOL- (8)**, da zmanjšate glasnost.
- > Med poslušanjem radia pritisnite **AL.2 / VOL+ (9)**, da povečate glasnost.

24.11 Spreminjanje intenzivnosti osvetlitve zaslona LED

Na voljo sta dve nastavitvi svetlosti zaslona.

- > Če želite spremeniti svetlost, pritisnite in držite gumb **NAP/DIMMER/SLEEP/SNOOZE (5)**.
- > Ponovni daljši pritisk gumba **NAP/DIMMER/SLEEP/SNOOZE (5)** se vrne na prejšnjo intenzivnost LED.

24.12 Časovna projekcija

- > Če želite aktivirati časovno projekcijo, pritisnite gumb **PROJECTION ON/OFF (4)**. Čas se bo projiciral in bo viden na stropu.
 - > Če želite prilagoditi ostrino prikazanega časa, ustrezno prilagodite **Gumb za ostrenje (10)**.
- > S ponovnim pritiskom na gumb **PROJECTION ON/OFF (4)** izklopite projekcijo na zaslon.

24.13 Funkcija FLIP

- > Če želite med projiciranjem obrniti čas, prikazan na stropu, za 180o, pritisnite gumb **180 FLIP (6)**.

3 Specifikacija

Frekvenčno območje: FM 87,5-108 MHz

Vir napajanja: Prikazovalnik LED: AC

230V ~ 50 Hz, 5W 1,2"

Dimenzije naprave: 155x63x79mm Baterije:

Izhodna moč: 0,5 W

Seznam priljubljenih postaj: Funkcija

projekcije časa: DA Funkcija FLIP:

DA

Vir svetlobe projektorja: LED

OPOMBA: Baterija se uporablja samo za ohranjanje spomina enote v primeru izpada električne energije (npr. časovni spomin). Baterije niso vključene.

4 Proizvajalec

TechniSat Digital Sp. z o.o.

ul. Poznańska 2,

Siemianice 55-120 Oborniki

Śląskie

Urad za storitve za stranke

tel.: +48 71 310 41 41, e-pošta: biuro@technisat.com

Odperto od ponedeljka do petka od: 8:00-16:00

Οδηγίες λειτουργίας

DIGICLOCK 3

Ραδιοφωνικό ξυπνητήρι με οθόνη LED και προβολέα



TechniSat

1 Οδηγίες ασφαλείας

1.1 Πρόλογος

Αγαπητοί πελάτες,

Σας ευχαριστούμε που επιλέξατε ένα ραδιοξυπνητήρι TechniSat.

Οι παρούσες οδηγίες λειτουργίας έχουν ως στόχο να σας βοηθήσουν να εξοικειωθείτε με τις λειτουργίες της νέας σας συσκευής και να τις χρησιμοποιήσετε με τον καλύτερο δυνατό τρόπο. Θα σας βοηθήσουν να χρησιμοποιείτε το ραδιοξυπνητήρι με ασφάλεια και σύμφωνα με τον προορισμό του. Απευθύνεται σε οποιονδήποτε εγκαθιστά, λειτουργεί, καθαρίζει ή απορρίπτει τη συσκευή.

Φυλάξτε τις οδηγίες λειτουργίας σε ασφαλές μέρος για μελλοντική αναφορά.

Ομάδα TechniSat

1.2 Σύμβολα και χρησιμοποιούμενα σύμβολα

Στο παρόν εγχειρίδιο:



Υποδεικνύει μια οδηγία ασφαλείας, η μη τήρηση της οποίας μπορεί να προκαλέσει σοβαρό τραυματισμό ή θάνατο. Προσέξτε τις ακόλουθες λέξεις σήμανσης:

KINΔΥΝΟΣ - Σοβαρός τραυματισμός με αποτέλεσμα το θάνατο.

ΠΡΟΕΙΔΟΠΟΙΗΣΗ - Σοβαρή σωματική βλάβη που μπορεί να οδηγήσει σε θάνατο.

ΣΗΜΕΙΩΣΗ - Τραυματισμοί.



Υποδεικνύει τη σημείωση που πρέπει να τηρείται προκειμένου να αποφευχθούν δυσλειτουργίες της συσκευής, απώλεια/κακή χρήση δεδομένων ή ακούσια λειτουργία. Περιγράφει επίσης περαιτέρω λειτουργίες της συσκευής.



Προειδοποίηση για ηλεκτρική τάση. Τηρείτε όλες τις οδηγίες ασφαλείας για την αποφυγή ηλεκτροπληξίας. Μην ανοίγετε ποτέ τη συσκευή.

Στη συσκευή:



Χρήση σε εσωτερικούς χώρους - οι συσκευές που επισημαίνονται με αυτό το σύμβολο είναι κατάλληλες μόνο για χρήση σε εσωτερικούς χώρους.



Η συσκευή σας φέρει σήμανση CE και πληροί όλα τα απαιτούμενα πρότυπα της ΕΕ.



Αυτή η συσκευή έχει σχεδιαστεί και κατασκευαστεί με υλικά και εξαρτήματα υψηλής ποιότητας που είναι ανακυκλώσιμα. Το σύμβολο του διαγραμμένου τροχήλατου κάδου υποδεικνύει ότι το προϊόν υπόκειται σε χωριστή συλλογή σύμφωνα με την οδηγία του Ευρωπαϊκού Κοινοβουλίου και του Συμβουλίου 2012/19/ΕΕ και σύμφωνα με την οδηγία 2006/66/ΕΚ του Ευρωπαϊκού Κοινοβουλίου και του Συμβουλίου και ενημερώνει ότι ο ηλεκτρικός και ηλεκτρονικός εξοπλισμός και οι ηλεκτρικές στήλες και συσσωρευτές, μετά τη λήξη της ωφέλιμης ζωής τους, δεν πρέπει να διατίθενται με το

άλλα οικιακά απορρίμματα. Ο χρήστης υποχρεούται να το παραδώσει σε φορέα συλλογής αποβλήτων ηλεκτρικού και ηλεκτρονικού εξοπλισμού, καθώς και ηλεκτρικών στηλών και συσσωρευτών που έχει δημιουργήσει σύστημα συλλογής των αποβλήτων αυτών, μεταξύ άλλων σε κατάλληλο κατάστημα, τοπικό σημείο συλλογής ή δημοτική μονάδα. Τα απόβλητα εξοπλισμού μπορεί να έχουν επιβλαβείς επιπτώσεις στο περιβάλλον και την ανθρώπινη υγεία λόγω της πιθανής περιεκτικότητάς τους σε επικίνδυνες ουσίες, μείγματα και συστατικά. Το νοικοκυριό διαδραματίζει σημαντικό ρόλο στη συμβολή στην επαναχρησιμοποίηση και ανάκτηση, συμπεριλαμβανομένης της ανακύκλωσης, των αποβλήτων εξοπλισμού. Σε αυτό το στάδιο διαμορφώνονται στάσεις που επηρεάζουν τη διατήρηση του κοινού αγαθού, που είναι ένα καθαρό περιβάλλον. Τα νοικοκυριά είναι επίσης ένας από τους μεγαλύτερους χρήστες μικρού εξοπλισμού και η ορθολογική διαχείριση αυτού του εξοπλισμού επηρεάζει την ανάκτηση δευτερογενών πρώτων υλών. Σε περίπτωση ακατάλληλης απόρριψης αυτού του προϊόντος, ενδέχεται να επιβληθούν κυρώσεις σύμφωνα με την εθνική νομοθεσία. Στο τέλος του κύκλου ζωής του προϊόντος, δεν πρέπει να απορρίπτεται στο σκουπίδια από τα συνήθη οικιακά απορρίμματα αλλά στο σημείο συλλογής για τα απόβλητα ηλεκτρικού και ηλεκτρονικού εξοπλισμού. Αυτό υποδεικνύεται από το σύμβολο στο προϊόν, στο εγχειρίδιο χρήσης ή στη συσκευασία. Τα υλικά είναι ανακυκλώσιμα σύμφωνα με την ετικέτα. Επαναχρησιμοποιώντας, ανακυκλώνοντας ή ανακυκλώνοντας με άλλο τρόπο τον παλιό σας εξοπλισμό, συμβάλλετε σημαντικά στην προστασία του περιβάλλοντος.

1.3 Σκοπός

Το TechniSat DIGICLOCK 3 έχει σχεδιαστεί για τη λήψη ραδιοφωνικών εκπομπών FM. Η συσκευή προορίζεται για ιδιωτική χρήση και δεν είναι κατάλληλη για εμπορικούς σκοπούς.

1.4 Ασφαλής χειρισμός

Τηρείτε τις ακόλουθες οδηγίες για να ελαχιστοποιήσετε τους κινδύνους για την ασφάλεια, να αποφύγετε ζημιές στον εξοπλισμό και να συμβάλλετε στην προστασία του περιβάλλοντος.

Διαβάστε προσεκτικά όλες τις οδηγίες ασφαλείας και φυλάξτε τις για μελλοντική αναφορά. Να τηρείτε πάντα όλες τις προειδοποιήσεις και τις οδηγίες στο παρόν εγχειρίδιο και στο πίσω μέρος της συσκευής.



ΚΙΝΔΥΝΟΣ!

Ποτέ μην ανοίγετε τη συσκευή!

Το άγγιγμα ζωντανών εξαρτημάτων είναι επικίνδυνο για τη ζωή!



ΠΡΟΕΙΔΟΠΟΙΗΣΗ!

Κίνδυνος ασφυξίας! Μην αφήνετε τη συσκευασία και τα εξαρτήματά της υπό την επίβλεψη παιδιών. Κίνδυνος ασφυξίας από αλουμινόχαρτο και άλλα υλικά συσκευασίας!



Για να διασφαλιστεί η σωστή χρήση της συσκευής και να αποφευχθούν ζημιές στη συσκευή και τραυματισμοί, πρέπει να τηρούνται όλες οι παρακάτω οδηγίες.

- Μην επισκευάζετε τη συσκευή μόνοι σας. Οι επισκευές πρέπει να πραγματοποιούνται μόνο από εκπαιδευμένους επαγγελματίες.
Επικοινωνήστε με το

τα κέντρα εξυπηρέτησης πελατών μας.

- Η συσκευή πρέπει να λειτουργεί μόνο υπό τις περιβαλλοντικές συνθήκες που έχουν καθοριστεί για αυτήν.
- Μην εκθέτετε τη συσκευή σε νερό που στάζει ή πιτσιλάει. Εάν εισέλθει νερό στη συσκευή, απενεργοποιήστε την και ειδοποιήστε το τμήμα σέρβις.
- Μην εκθέτετε τη μονάδα σε πηγές θερμότητας που θερμαίνουν τη μονάδα πέραν της κανονικής χρήσης.
- Σε περίπτωση αισθητής βλάβης της συσκευής, οσμής ή καπνού, σημαντικών βλαβών ή ζημιών στο περίβλημα, επικοινωνήστε αμέσως με το κέντρο εξυπηρέτησης.
- Η συσκευή επιτρέπεται να λειτουργεί μόνο στην καθορισμένη τάση δικτύου. Ποτέ μην επιχειρήσετε να λειτουργήσετε τη μονάδα με οποιαδήποτε άλλη τάση.
- Εάν η μονάδα έχει υποστεί ζημιά, δεν πρέπει να λειτουργήσει.
- Μην χρησιμοποιείτε τη μονάδα κοντά σε μπανιέρες, ντους, πισίνες ή νερό που ρέει/πλατσοιρίζει. Υπάρχει κίνδυνος ηλεκτροπληξίας ή/και ζημιών στον εξοπλισμό.
- Ξένα αντικείμενα, π.χ. βελόνες, κέρματα κ.λπ. δεν πρέπει να πέφτουν στη συσκευή. Μην αγγίζετε τις επαφές σύνδεσης με μεταλλικά αντικείμενα ή δάχτυλα. Αυτό μπορεί να προκαλέσει βραχυκύκλωμα.
- Η συσκευή δεν προορίζεται για χρήση από άτομα (συμπεριλαμβανομένων των παιδιών) με μειωμένες σωματικές, αισθητηριακές ή διανοητικές ικανότητες ή έλλειψη εμπειρίας ή/και γνώσεων, εκτός εάν έχουν λάβει επίβλεψη ή οδηγίες σχετικά με τη χρήση της συσκευής από άτομο υπεύθυνο για την ασφάλειά τους.
- Απαγορεύεται η πραγματοποίηση αλλαγών στη συσκευή.
- Ποτέ μην κοιτάτε απευθείας ή με οπτικά όργανα στη δέσμη φωτός του προβολέα. Κίνδυνος βλάβης της όρασής σας!

14.1 Νομικές κατευθυντήριες γραμμές



Η TechniSat δηλώνει ότι η ραδιοσυσκευή τύπου DIGICLOCK 3 (76- 4903-00) συμμορφώνεται με την οδηγία 2014/53/EE και την RoHS. Το πλήρες κείμενο της δήλωσης συμμόρφωσης EE είναι διαθέσιμο στην ακόλουθη διεύθυνση στο διαδίκτυο:

[rnh-://konf.tsat.de/?ID=22886](http://konf.tsat.de/?ID=22886)



Η TechniSat δεν ευθύνεται για ζημιές στο προϊόν που προκαλούνται από εξωτερικές επιδράσεις, φθορά ή ακατάλληλο χειρισμό, μη εξουσιοδοτημένες επισκευές, τροποποιήσεις ή ατυχήματα.



Με την επιφύλαξη αλλαγών και σφαλμάτων εκτύπωσης. Αντιγραφή και αναπαραγωγή

μόνο με την άδεια του εκδότη. Η τελευταία έκδοση του εγχειριδίου είναι διαθέσιμη σε μορφή PDF στην περιοχή λήψης στην αρχική σελίδα του TechniSat στη διεύθυνση www.technisat.pl.

1.42 Πληροφορίες υπηρεσίας



Αυτό το προϊόν είναι ποιοτικά ελεγμένο και συνοδεύεται από νόμιμη περίοδο εγγύησης 24 μηνών από την ημερομηνία αγοράς. Παρακαλείστε να φυλάξετε την απόδειξη του τιμολογίου σας ως απόδειξη αγοράς. Σε περίπτωση αξίωσης εγγύησης, το κόστος των ταχυδρομικών εξόδων απευθείας στον κατασκευαστή θα καταβάλλεται από τον πελάτη.



Για ερωτήσεις και πληροφορίες ή αν έχετε κάποιο πρόβλημα με αυτή τη συσκευή, η τεχνική μας γραμμή είναι διαθέσιμη: Δευτέρα. - έως Παρασκευή, από τις 8:00 π.μ. έως τις 16:00 μ.μ. στον αριθμό τηλεφώνου: +71 310 41 48.



Ο εγγυητής, στο πλαίσιο της παρεχόμενης εγγύησης, αναλαμβάνει την υποχρέωση να αποκαταστήσει με δικά του έξοδα τυχόν ελαττώματα του προϊόντος. Η άρση των ελαττωμάτων θα πραγματοποιηθεί με την αντικατάσταση του ελαττωματικού προϊόντος με νέο, χωρίς ελαττώματα ή με την επισκευή του.



Για να κάνει χρήση της εγγύησης, ο αγοραστής υποχρεούται να αναφέρει την ελαττωματικότητα του προϊόντος στο σημείο πώλησης από όπου αγοράστηκε το προϊόν και να παραδώσει το ελαττωματικό προϊόν εκεί. Το προϊόν πρέπει να παραδοθεί ολοκληρωμένη.



Η εγγύηση δεν καλύπτει ελαττώματα του προϊόντος που προκαλούνται από τον αγοραστή ή προκύπτουν από:

- να χρησιμοποιείτε ή να εγκαθιστάτε το προϊόν με τρόπο που δεν συνάδει με τις οδηγίες χρήσης,
- ακατάλληλη αποθήκευση ή συντήρηση της συσκευής,
- επισκευές ή τροποποιήσεις του προϊόντος που πραγματοποιούνται από μη εξουσιοδοτημένα άτομα,
- εισροή υγρών ή ξένων σωμάτων,
- κεραυνικά πλήγματα και υπερτάσεις ηλεκτρικού ρεύματος



Οι διατάξεις της εγγύησης δεν αποκλείουν, περιορίζουν ή αναστέλλουν τα δικαιώματα των αγοραστών (καταναλωτών) που απορρέουν από το γενικά εφαρμοστέο δίκαιο (εγγύηση).



Για να λάβετε λεπτομερείς πληροφορίες σχετικά με ένα προϊόν,

συμπεριλαμβανομένων των κανόνων και των διαδικασιών για τη διαδικασία εγγύησης, την εκχώρηση ενός αριθμού RMA, μπορείτε να απευθυνθείτε στη διεύθυνση

στο τηλέφωνο 71 310 41 48 ή στο email serwis@technisat.com , κατά τις εργάσιμες ημέρες,

8 π.μ. έως 4 μ.μ. Αιτήματα εξυπηρέτησης ON-LINE μέσω του www.serwis.technisat.com.

2 Περιγραφή της συσκευής

21 Περιεχόμενα της συσκευής

Ελέγξτε ότι περιλαμβάνονται τα ακόλουθα: 1x
TechniSat DIGICLOCK 3
1x Εγχειρίδιο χρήσης

22 Ειδικά χαρακτηριστικά

Το ραδιόφωνο διαθέτει τα ακόλουθα ειδικά χαρακτηριστικά:

- Ραδιοφωνική λήψη FM.
- Εύρος λήψης UKW 87,5-108 MHz (αναλογικά).
- Οθόνη LED.
- Ισχύς ήχου RMS 0,5W.
- Μνήμη προγραμμάτων 10 για σταθμούς FM.
- Προβολέας LED με λειτουργία FLIP

23 Προετοιμασία της συσκευής για λειτουργία

23.1 Ρύθμιση συρμάτινης κεραίας

Ο αριθμός και η ποιότητα των σταθμών που λαμβάνονται εξαρτάται από τις συνθήκες λήψης στο χώρο εγκατάστασης. Εξαιρετική λήψη μπορεί να επιτευχθεί με μια συρμάτινη κεραία.

> Τοποθετήστε τη συρμάτινη κεραία κατά μήκος.



Η ακριβής τοποθέτηση της συρμάτινης κεραίας είναι συχνά σημαντική, ιδίως σε περιφερειακές περιοχές λήψης FM.



Ξεκινήστε την πρώτη σας αναζήτηση από το παράθυρο προς τον ιστό του πομπού. Σε κακές καιρικές συνθήκες η λήψη μπορεί να είναι περιορισμένη.



Μην αγγίζετε τη συρμάτινη κεραία κατά τη διάρκεια της αναπαραγωγής σταθμών. Αυτό μπορεί να οδηγήσει σε παρεμβολές στη λήψη και εξασθένηση του ήχου.

23.2 Σύνδεση στην παροχή ρεύματος



ΠΡΟΕΙΔΟΠΟΙΗΣΗ!

Μην αγγίζετε το βύσμα με βρεγμένα χέρια, κίνδυνος ηλεκτροπληξίας!



ΣΗΜΕΙΩΣΗ!

Τοποθετήστε το καλώδιο δικτύου έτσι ώστε να μην σκοντάφτει κανείς πάνω του.

> Συνδέστε το φως δικτύου του DIGICLOCK 3 σε μια πρίζα δικτύου (AC 230V ~ 50Hz).

> Πριν συνδέσετε τη συσκευή σε πρίζα, βεβαιωθείτε ότι η τάση λειτουργίας της συσκευής αντιστοιχεί στην τοπική τάση δικτύου.



Τραβήξτε το φως από την πρίζα όταν δεν το χρησιμοποιείτε. Τραβήξτε το βύσμα, όχι το καλώδιο. Αποσυνδέστε τη συσκευή από την πρίζα πριν από μια καταιγίδα. Αποσυνδέστε τη συσκευή από την πρίζα εάν δεν πρόκειται να τη

χρησιμοποιήσετε για μεγάλο χρονικό διάστημα, π.χ. πριν ξεκινήσετε ένα μακρινό ταξίδι. Η θερμότητα που παράγεται κατά τη λειτουργία πρέπει να αποβάλλεται με επαρκή κυκλοφορία του αέρα. Ως εκ τούτου, μην καλύπτετε τη συσκευή

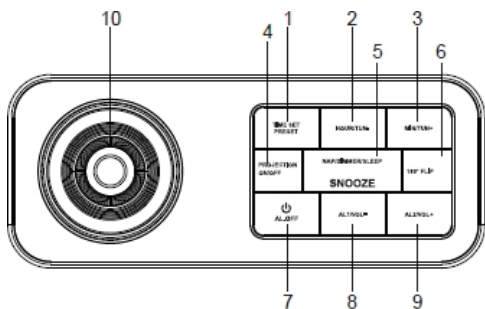
ούτε να το τοποθετήσετε σε κλειστό ντουλάπι. Εξασφαλίστε ελεύθερο χώρο τουλάχιστον 10 cm γύρω από τη συσκευή.



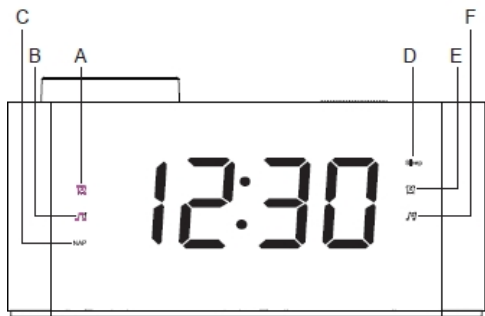
Το ραδιοφωνικό ξυπνητήρι τροφοδοτείται με εναλλασσόμενο ρεύμα. Χρησιμοποιήστε δύο μπαταρίες μεγέθους AAA για να διατηρήσετε την ακριβή ώρα κατά τη διάρκεια διακοπής του ηλεκτρικού ρεύματος.

Τοποθετήστε τις μπαταρίες, ταιριάζοντας με τις ενδείξεις πολικότητας (+/-) στη θήκη μπαταριών. Αντικαταστήστε ταυτόχρονα όλες τις μπαταρίες με νέες. Αφαιρέστε όλες τις μπαταρίες όταν η συσκευή δεν πρόκειται να χρησιμοποιηθεί για μεγάλο χρονικό διάστημα.

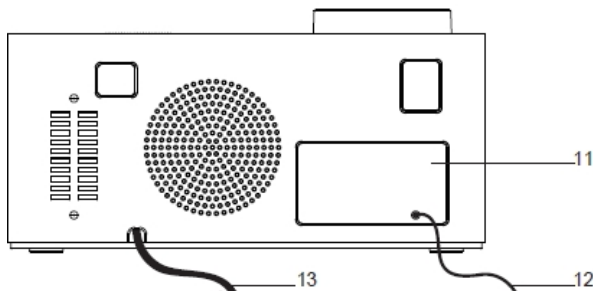
24 Λειτουργίες συσκευής



1. ΧΡΟΝΟΣ ΠΟΥ ΈΧΕΙ ΡΥΘΜΙΣΤΕΙ ΠΡΟΕΠΙΛΟΓΗ
2. ΩΡΑ/ΣΗΜΕΡΑ...
3. MIN/TUN+
4. ΠΡΟΒΟΛΗ ON/OFF
5. ΜΕΣΗΜΕΡΙΑΝΟΣ ΎΠΝΟΣ/ΦΩΤΙΣΜΟΣ/ΚΟΙΜΗΘΕΪΤΕ/ΚΟΙΜΗΘΕΪΤΕ
6. 180 FLIP
7. AL.OFF
8. AL1/VOL-
9. AL2/VOL+
10. Τροχός εστίασης



1. Κάλυμμα μπαταρίας
12. Καλώδιο κεραίας
13. Καλώδιο τροφοδοσίας



- A. Συναγερμός 1 Βομβητής
- B. Συναγερμός 1 Ραδιόφωνο
- C. NAP (χρονοδιακόπτης)
- D. ΥΠΝΟΣ
- E. Συναγερμός 2 Βομβητής
- F. Συναγερμός 2 Ραδιόφωνο

241 Ρύθμιση της σωστής ώρας

- > Για να ρυθμίσετε τη σωστή ώρα, απενεργοποιήστε τη μονάδα πατώντας το κουμπί **AL.OFF (2)**.
- > Στη συνέχεια, πατήστε το κουμπί **TIME SET PRESET (1)** για μεγαλύτερο χρονικό διάστημα.
- > Για να ρυθμίσετε την ώρα, πατήστε το κουμπί **HOUR / TUN- (2)**.
- > Για να ρυθμίσετε τα λεπτά, χρησιμοποιήστε το κουμπί **MIN / TUN+ (3)**.
- > Για να επιβεβαιώσετε τη ρυθμισμένη ώρα, πατήστε το κουμπί **TIME SET PRESET (1)**.

242 Αυτόματη ρύθμιση

- > Ενεργοποιήστε το ραδιοφωνικό ξυπνητήρι χρησιμοποιώντας το κουμπί **AL.OFF (2)**.
- > Για να ξεκινήσετε την αυτόματη αναζήτηση σταθμού, πατήστε περισσότερο το κουμπί **HOUR / TUN- (2)** ή **MIN / TUN+ (3)**.
- > Το ραδιοφωνικό ξυπνητήρι θα ξεκινήσει αυτόματα την αναζήτηση στη ζώνη, η οποία θα σταματήσει στον πρώτο σταθμό που θα βρεθεί.

243 Χειροκίνητος συντονισμός ραδιοφώνου

- > Για να ρυθμίσετε τη σωστή συχνότητα λήψης, χρησιμοποιήστε τα κουμπιά **HOUR / TUN- (2)** και **MIN / TUN+ (3)**. Κάθε φορά που τα πατάτε, η συχνότητα αλλάζει κατά 0,1 MHz.

244 Αποθήκευση σταθμών στα αγαπημένα

- > Για να αποθηκεύσετε έναν σταθμό στη λίστα αγαπημένων, πατήστε περισσότερο το κουμπί **TIME SET PRESET (1)**.
- > Ο αριθμός του προγράμματος θα αναβοσβήνει στην οθόνη. Χρησιμοποιώντας τα πλήκτρα **HOUR / TUN- (2)** ή **MIN / TUN+ (3)**, ρυθμίστε τον επιθυμητό αριθμό και αποθηκεύστε το πρόγραμμα επιβεβαιώνοντας με το πλήκτρο **TIME SET PRESET (1)**.

245 Κλήση προγράμματος από τη λίστα ραδιοφωνικών προγραμμάτων

- > Πατήστε το κουμπί **TIME SET PRESET (1)**.
- > Κάθε διαδοχικό πάτημα αλλάζει τον αριθμό του αγαπημένου προγράμματος κατά μία θέση προς τα πάνω.

246 Ρύθμιση συναγερμού

- > Για να ρυθμίσετε το ξυπνητήρι, απενεργοποιήστε το ραδιοφωνικό ξυπνητήρι πατώντας το κουμπί **AL.OFF (2)**.
- > Αφού απενεργοποιήσετε τη συσκευή, πατήστε **AL.1 / VOL- (8)** ή **AL.2 / VOL+ (9)**. Η ρύθμιση της ώρας θα αναβοσβήνει στην οθόνη.
- > Μπορείτε να επιλέξετε αν θέλετε η συσκευή να λειτουργεί σε κατάσταση λειτουργίας κατά τη διάρκεια του συναγερμού: Ραδιόφωνο ή βομβητή. Η λυχνία LED με το σύμβολο της καμπάνας είναι η επιλογή με βομβητή. Η λυχνία LED με

το σύμβολο της νότας είναι η επιλογή με ραδιόφωνο. Πατήστε το κουμπί **AL.1 / VOL-** **(8)** ή **AL.2 /VOL+ (9)** για να επιλέξετε την επιθυμητή λειτουργία.

- > Εάν έχετε ήδη επιλέξει τη λειτουργία συναγερμού, μπορείτε τώρα να ρυθμίσετε την ώρα συναγερμού. Πατήστε **HOUR / TUN- (2)** για να ρυθμίσετε και **MIN / TUN+ (3)** για να ρυθμίσετε τα λεπτά.
- > Πατήστε **AL.1 / VOL- (8)** ή **AL.2 / VOL+ (9)** ανάλογα με το αν έχετε ορίσει τον αριθμό συναγερμού 1 ή τον αριθμό συναγερμού 2 για να αποθηκεύσετε την ώρα συναγερμού.

247 Ενεργοποίηση και απενεργοποίηση συναγερμού

- > Όταν το ραδιοφωνικό ξυπνητήρι είναι απενεργοποιημένο, μπορείτε να επιλέξετε αν η συσκευή θα λειτουργεί σε λειτουργία κατά τη διάρκεια του ξυπνητηριού: Ραδιόφωνο ή βομβητής. Η λυχνία LED με το σύμβολο κουδουνιού είναι η επιλογή με τον βομβητή. Η λυχνία LED με το σύμβολο της νότας είναι η επιλογή με το ραδιόφωνο. Πατήστε **AL.1 / VOL- (8)** ή **AL.2 / VOL+ (9)** για να επιλέξετε την επιθυμητή λειτουργία.
- > Για να ακυρώσετε τον συναγερμό, πατήστε **AL.1 / VOL- (8)** ή **AL.2 / VOL+ (9)** έως ότου εξαφανιστεί η κόκκινη ένδειξη δίπλα στο σύμβολο κουδουνιού και σημείωσης.
- > Όταν ο συναγερμός είναι ενεργοποιημένος, για να τον απενεργοποιήσετε, πατήστε το κουμπί **AL.OFF (2)**.

248 Λειτουργία Snooze

- > Κατά τη διάρκεια του συναγερμού, πατώντας το κουμπί **NAP/DIMMER/SLEEP/SNOOZE (5)** θα απενεργοποιηθεί για 10 λεπτά. Κατά τη διάρκεια της περιόδου αναστολής αναβοσβήνει η λυχνία LED που βρίσκεται δίπλα στο σύμβολο του κουδουνιού και της σημείωσης.
- > Μετά από 10 λεπτά, ο συναγερμός θα ηχήσει ξανά.
- > Για να απενεργοποιήσετε εντελώς τον συναγερμό, πατήστε το κουμπί **AL.OFF (2)**, η λυχνία LED που συμβολίζει τον τύπο συναγερμού θα σταματήσει να αναβοσβήνει.
- > Το ξυπνητήρι θα ηχήσει ξανά την επόμενη ημέρα σε μια καθορισμένη ώρα.

249 Ρύθμιση του χρονοδιακόπτη απενεργοποίησης

- > Ο χρονοδιακόπτης απενεργοποίησης ρυθμίζεται όταν ενεργοποιείται το ραδιοφωνικό ξυπνητήρι.
- > Πατώντας το κουμπί **NAP/DIMMER/SLEEP/SNOOZE (5)**, έχετε τη δυνατότητα να αλλάξετε το χρόνο μετά τον οποίο η συσκευή απενεργοποιείται αυτόματα.
- > Είναι διαθέσιμες οι ακόλουθες ρυθμίσεις: **10, 20, 30, 40, 50, 60, 70, 80, 90 λεπτά.** και **OFF (απενεργοποίηση χρονοδιακόπτη)**.
- > Όταν ενεργοποιηθεί ο χρονοδιακόπτης απενεργοποίησης, ανάβει μια κόκκινη λυχνία LED στην οθόνη του ραδιοφώνου για να υποδείξει τον

χρονοδιακόπτη.

24.10 **Αλλαγή της έντασης ήχου**

- > Ενώ ακούτε ραδιόφωνο, πατήστε **AL.1 / VOL- (8)** για να μειώσετε την ένταση του ήχου.
- > Ενώ ακούτε ραδιόφωνο, πατήστε **AL.2 / VOL+ (9)** για να αυξήσετε την ένταση του ήχου.

24.11 Αλλαγή της έντασης του οπίσθιου φωτισμού της οθόνης LED

Διατίθενται δύο ρυθμίσεις φωτεινότητας οθόνης.

- > Για να αλλάξετε τη φωτεινότητα, πατήστε παρατεταμένα το κουμπί **NAP/DIMMER/ SLEEP/SNOOZE (5)**.
- > Πατώντας ξανά το κουμπί **NAP/DIMMER/SLEEP/SNOOZE για** μεγαλύτερο χρονικό διάστημα **(5)**
θα επανέλθει στην προηγούμενη ένταση LED.

24.12 Χρονική προβολή

- > Για να ενεργοποιήσετε την προβολή χρόνου, πατήστε το κουμπί **PROJECTION ON/ OFF (4)**. Η ώρα θα προβάλεται και θα είναι ορατή στην οροφή.
- > Για να ρυθμίσετε την εστίαση της εμφανιζόμενης ώρας, παρακαλούμε ρυθμίστε αναλόγως
Ρυθμιστής εστίασης (10).
- > Πατώντας ξανά το κουμπί **PROJECTION ON/OFF (4)** θα απενεργοποιήσετε την προβολή οθόνης.

24.13 Λειτουργία FLIP

- > Για να αντιστρέψετε την ώρα που εμφανίζεται στην οροφή κατά 180ο κατά τη διάρκεια της προβολής, πατήστε το κουμπί **180 FLIP (6)**.

3 Προδιαγραφές

Εύρος συχνοτήτων: Πηγή ισχύος: FM
87.5-108 MHz: Πηγή τροφοδοσίας: AC
230V ~ 50 Hz, 5W Οθόνη LED: 1,2"

Διαστάσεις συσκευής: Μπαταρίες:
155x63x79mm: Ισχύς εξόδου: 0.5W
Λίστα αγαπημένων σταθμών: Λίστα
σταθμών: 10 θέσεις Λειτουργία
προβολής χρόνου: ΝΑΙ Λειτουργία
FLIP: Ναι

Πηγή φωτός προβολέα: LED

ΣΗΜΕΙΩΣΗ: Η ενέργεια της μπαταρίας χρησιμοποιείται μόνο για τη διατήρηση της μνήμης της μονάδας σε περίπτωση διακοπής ρεύματος (π.χ. μνήμη χρόνου). Οι μπαταρίες δεν περιλαμβάνονται.

4 Κατασκευαστής

TechniSat Digital Sp. z o.o.
ul. Poznańska 2,
Siemianice 55-120 Oborniki
Śląskie

Γραφείο εξυπηρέτησης πελατών

τηλ: +48 71 310 41 41, e-mail: biuro@technisat.com
Ανοιχτά από Δευτέρα έως Παρασκευή από: 8:00-16:00

Инструкции за експлоатация

DIGICLOCK 3

Радио будилник с LED дисплей и проектор



TechniSat

1 Инструкции за безопасност

1.1 Предговор

Уважаеми клиенти,
Благодарим ви, че избрахте радиобудилник TechniSat.
Настоящите инструкции за работа имат за цел да ви помогнат да се запознаете с функциите на новото ви устройство и да ги използвате оптимално. Тя ще ви помогне да използвате радиобудилника безопасно и в съответствие с предназначението му. **П р е д н а з н а ч е н а** е за всеки, който монтира, експлоатира, почиства или изхвърля уреда.
Съхранявайте инструкциите за експлоатация на сигурно място за бъдещи справки.

Екип на TechniSat

1.2 Използвани символи и знаци

В това ръководство:



Посочва инструкция за безопасност, чието неспазване може да доведе до да причини сериозно нараняване или смърт. Спазвайте следните сигнални думи:

ОПАСНОСТ - Сериозно нараняване, водещо до смърт.

ПРЕДУПРЕЖДЕНИЕ - Тежко нараняване, което може да доведе до смърт.

ЗАБЕЛЕЖКА - Наранявания.



Тя указва предпазните мерки, които трябва да се спазват, за да се избегнат неизправности на устройството, загуба на данни/неправилна употреба или непреднамерена работа. В него са описани и допълнителни функции на устройството.



Предупреждение за електрическо напрежение. Спазвайте всички инструкции за безопасност, за да избегнете токов удар. Никога не отваряйте уреда.

В устройството:



Употреба на закрито - уредите, обозначени с този символ, са подходящи само за употреба на закрито.



Вашето устройство има маркировка CE и отговаря на всички необходими стандарти на ЕС.



Този уред е проектиран и произведен с висококачествени материали и компоненти, които могат да се рециклират. Символът на зачеркнат контейнер на колелца показва, че продуктът подлежи на разделно събиране в съответствие с Директивата на Европейския парламент и Съвета 2012/19/ЕС и в съответствие с Директива 2006/66/ЕО на

Европейския парламент и на Съвета и информира, че електрическото и електронното оборудване, както и батериите и акумулаторите, след изтичане на полезния им живот, не трябва да се изхвърлят с

други битови отпадъци. Потребителят е длъжен да го предаде на събирач на отпадъци от електрическо и електронно оборудване, както и на батерии и акумулатори, който е създал система за събиране на такива отпадъци, включително в подходящ магазин, местен събирателен пункт или общинско звено. Отпадъците от оборудване могат да имат вредно въздействие върху околната среда и човешкото здраве поради потенциалното съдържание на опасни вещества, смеси и компоненти. Домакинството играе важна роля, като допринася за повторната употреба и оползотворяването, включително рециклирането, на отпадъчното оборудване. На този етап се формират нагласи, които оказват влияние върху опазването на общото благо, каквото е чистата околна среда. Домакинствата са и едни от най-големите потребители на дребно оборудване и рационалното управление на това оборудване влияе върху оползотворяването на вторични суровини. В случай на неправилно изхвърляне на този продукт могат да бъдат наложени санкции в съответствие с националното законодателство В края на жизнения цикъл на продукта той не трябва да се изхвърля в боклук от обикновените битови отпадъци, но до пункта за събиране на отпадъци от електрическо и електронно оборудване. Това е обозначено със символ върху продукта, ръководството за потребителя или опаковката. Материалите подлежат на рециклиране в съответствие с етикета. Чрез повторната употреба, рециклиране или друг начин на оползотворяване на старото ви оборудване вие допринасяте значително за опазването на околната среда.

13 Цел

TechniSat DIGICLOCK 3 е предназначен за приемане на FM радиопредавания. Устройството е предназначено за частна употреба и не е подходящо за търговски цели.

14 Безопасна работа

Спазвайте следните инструкции, за да сведете до минимум рисковете за безопасността, да избегнете повреда на оборудването и да допринесете за опазването на околната среда.

Прочетете внимателно всички инструкции за безопасност и ги запазете за бъдещи справки. Винаги спазвайте всички предупреждения и инструкции в това ръководство и на гърба на уреда.



ОПАСНОСТ!

Никога не отваряйте уреда!

Докосването на живи компоненти е животозастрашаващо!



ПРЕДУПРЕЖДЕНИЕ!

Опасност от задушаване! Не оставяйте опаковката и нейните части на грижите на деца. Опасност от задушаване от фолио и други опаковъчни материали!



За да се гарантира правилната употреба на уреда и да се избегне повреда на уреда и нараняване на хора, трябва да се спазват всички

следващи инструкции.

- Не ремонтирайте уреда сами. Поправките трябва да се извършват само от обучени специалисти. Свържете се с

нашите центрове за обслужване на клиенти.

- Устройството трябва да се използва само при определените за него условия на околната среда.
- Не излагайте уреда на капеща или пръскаща вода. Ако в уреда попадне вода, изключете го и уведомете сервизната служба.
- Не излагайте устройството на източници на топлина, които го нагриват в допълнение към нормалната употреба.
- В случай на забележима повреда на уреда, миризма или дим, значителни дефекти или повреди по корпуса, незабавно се свържете със сервизния център.
- Устройството може да работи само с посоченото мрежово напрежение. Никога не се опитвайте да използвате устройството при друго напрежение.
- Ако устройството е повредено, то не трябва да се използва.
- Не използвайте устройството в близост до вани, душеве, плувни басейни или течаща/разпръскваща се вода. Съществува риск от токов удар и/или повреда на оборудването.
- В устройството не трябва да попадат чужди предмети, напр. игли, монети и др. Не докосвайте свързващите контакти с метални предмети или пръсти. Това може да доведе до късо съединение.
- Уредът не е предназначен за използване от лица (включително деца) с намалени физически, сетивни или умствени способности или с недостатъчен опит и/или познания, освен ако не са получили надзор или инструкции за използването на уреда от лице, отговорно за тяхната безопасност.
- Забранено е да се правят промени в устройството.
- Никога не гледайте директно или с оптични инструменти в светлинния лъч на проектора. Риск от увреждане на зрението!

1.4.1 Правни насоки



С настоящото TechniSat декларира, че радиоустройството тип DIGICLOCK 3 (76- 4903-00) отговаря на изискванията на Директива 2014/53/ЕС и RoHS. Пълният текст на ЕС декларацията за съответствие е достъпен на следния уеб адрес:

[pnh://konf.tsat.de/?ID=22886](http://konf.tsat.de/?ID=22886)



TechniSat не носи отговорност за повреди на продукта, причинени от външни влияния, износване или неправилно боравене, неотторизирани ремонти, модификации или злоупотреби.



Възможни са промени и грешки при отпечатването. Копиране и възпроизвеждане

само с разрешението на издателя. Последната версия на ръководството е достъпна в PDF формат в зоната за изтегляне на началната страница на TechniSat на адрес www.technisat.pl.

1.42 Информация за услугата

- i** Този продукт е тестван за качество и се предлага със законоустановен гаранционен срок от 24 месеца от датата на закупуване. Моля, запазете касовата бележка от фактурата като доказателство за покупката. В случай на гаранционни претенции разходите за пощенски разходи директно до производителя се заплащат от клиента.
- i** За въпроси и информация или ако имате проблем с това устройство, нашата гореща техническа линия е на разположение: понеделник - до петък, от 8:00 до 16:00 ч. на телефонния номер: +71 310 41 48.
- i** Гарантът се задължава в рамките на предоставената гаранция да отстрани за своя сметка всички дефекти на продукта. Отстраняването на дефектите ще се извърши чрез замяна на дефектния продукт с нов, без дефекти, или чрез поправката му.
- i** За да се възползва от гаранцията, купувачът е длъжен да съобщи за дефекта на продукта в точката на продажба, където е закупен продуктът, и да да достави дефектния продукт там. Продуктът трябва да бъде доставен пълна.
- i** Гаранцията не покрива дефекти на продукта, причинени от купувача или в резултат на:
- да използвате или инсталирате продукта по начин, който не съответства на инструкциите за употреба,
 - неправилно съхранение или поддръжка на уреда,
 - ремонти или модификации на продукта, извършени от неоторизирани лица,
 - проникване на течности или чужди тела,
 - удари от мълнии и пренапрежения по електропроводите.
- i** Разпоредбите на гаранцията не изключват, не ограничават и не преустановяват правата на купувачите (потребителите) съгласно общоприложимото законодателство (гаранция).
- i** За да получите подробна информация за даден Продукт, включително правилата и процедурите за гаранционна процедура, за присвояване на RMA номер, можете да

на телефон 71 310 41 48 или по имейл serwis@technisat.com , в работни дни,
8:00-16:00 ч. Заявки за обслужване ON-LINE чрез www.serwis.technisat.com.

2 Описание на устройството

21 Съдържание на устройството

Моля, проверете дали са включени следните елементи: 1x TechniSat DIGICLOCK 3
1x Ръководство за потребителя

22 Специални функции

Радиото има следните специални функции:

- Приемане на FM радио.
- Диапазон на приемане на UKW 87,5-108 MHz (аналогов).
- LED дисплей.
- RMS аудио мощност 0,5 W.
- Памет за програми от 10 за FM станции.
- LED проектор с функция FLIP

23 Подготовка на устройството за работа

23.1 Настройване на жична антена

Броят и качеството на приеманите станции зависят от условията на приемане на мястото на инсталиране. Отлично приемане може да се постигне с жична антена.

> Разположете телената антена по дължина.



Точното позициониране на проводниковата антена често е важно, особено в периферните райони на FM приемане.



Започнете първото си търсене от прозореца към мачтата на предавателя. При лошо време приемането може да бъде ограничено.



Не докосвайте жичната антена по време на възпроизвеждане на станцията. Това може да доведе до смущения в приемането и избледняване на звука.

23.2 Свързване към захранването



ПРЕДУПРЕЖДЕНИЕ!

Не докосвайте щепсела с мокри ръце, има опасност от токов удар!



ВНИМАНИЕ!

Разположете мрежовия кабел така, че никой да не се спъва в него.

> Включете щепсела на DIGICLOCK 3 в контакт на електрическата мрежа (AC 230V ~ 50Hz).

> Преди да свържете уреда към стенния контакт, се уверете, че работното напрежение на уреда съответства на напрежението в местната електрическа мрежа.



Издърпайте щепсела от контакта, когато не го използвате. Издърпайте щепсела, а не кабела. Изключете устройството от електрическата мрежа

преди буря. Изключете уреда от електрическата мрежа, ако няма да се използва дълго време, напр. преди да тръгнете на дълго пътуване. Топлината, генерирана по време на работа, трябва да се разсейва чрез подходяща циркулация на въздуха. Затова не покривайте уреда

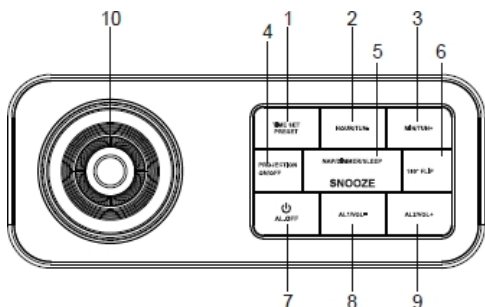
нито да го поставяте в затворен шкаф. Осигурете свободно пространство от поне 10 см около уреда.



Радиобудилникът се захранва с променлив ток. Използвайте две батерии с размер AAA, за да запазите точното време при прекъсване на електрическата мрежа.

Поставете батериите, като спазвате маркировката за полярност (+/-) в отделението за батерии. Заменете всички батерии с нови едновременно. Извадете всички батерии, когато устройството няма да се използва за дълъг период от време.

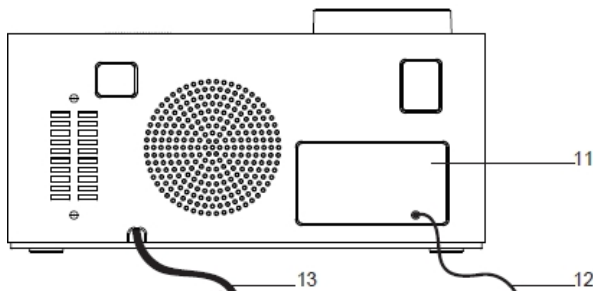
24 Функции на устройството



1. ЗАДАВАНЕ НА ПРЕДВАРИТЕЛНО ЗАДАДЕНО ВРЕМЕ
2. ЧАС/ТУН-
3. MIN/TUN+
4. ВКЛЮЧВАНЕ/ИЗКЛЮЧВАНЕ НА ПРОЖЕКЦИЈАТА
5. ДРЯМКА/ЗАГЛУШИТ ЕЛ/СЪН/ДРЯМКА
6. 180 FLIP
7. AL.OFF
8. AL1/VOL-
9. AL2/VOL+
10. Колело за фокусиране



1. Капак на батерията
12. Кабел на антената
13. Захранващ кабел



- A. Алармен сигнал 1
- B. Аларма 1 Радио
- C. NAP (таймер)
- D. SLEEP
- E. Сигнал за аларма 2 Buzzer
- F. Аларма 2 Радио

241 Задаване на точния час

- > За да настроите правилното време, изключете уреда, като натиснете бутона **AL.OFF (2)**.
- > След това натиснете бутона **TIME SET PRESET (1)** за по-дълго.
- > За да зададете часа, натиснете бутона **HOURL / TUN- (2)**.
- > За да зададете минутите, използвайте бутона **MIN / TUN+ (3)**.
- > За да потвърдите зададеното време, натиснете бутона **TIME SET PRESET (1)**.

242 Автоматично настройване

- > Включете радиобудилника с бутона **AL.OFF (2)**.
- > За да стартирате автоматичното търсене на станции, натиснете по-дълго бутона **HOURL / TUN- (2)** или **MIN / TUN+ (3)**.
- > Радиобудилникът ще започне автоматично да търси в диапазона, като ще спре на първата намерена станция.

243 Ръчно настройване на радиото

- > За да зададете правилната честота на приемане, използвайте бутоните **HOURL / TUN- (2)** и **MIN / TUN+ (3)**. При всяко тяхно натискане честотата се променя с 0,1 MHz.

244 Записване на станции в любими

- > За да запаметите дадена станция в списъка с любими, натиснете по-дълго бутона **TIME SET PRESET (1)**.
- > Номерът на програмата ще мига на екрана. С бутоните **HOURL / TUN- (2)** или **MIN / TUN+ (3)** задайте желанния номер и запазете програмата, като потвърдите с **TIME SET PRESET (1)**.

245 Извикване на програма от списъка с радиопрограми

- > Натиснете бутона **TIME SET PRESET (1)**.
- > Всяко следващо натискане променя номера на любимата програма с една позиция нагоре.

246 Настройка на алармата

- > За да настроите алармата, изключете радиобудилника, като натиснете бутона **AL.OFF (2)**.
- > След като изключите устройството, натиснете **AL.1 / VOL- (8)** или **AL.2 / VOL+ (9)**. Настройката на времето ще мига на дисплея.
- > Можете да изберете дали искате устройството да работи в режим по време на алармата: радио или зумер. Светодиодът със символ на звънец е опцията със зумер. Светодиодът със символа за бележка е опцията за радио. Натиснете бутона **AL.1 / VOL- (8)** или **AL.2 / VOL+ (9)**, за да изберете желанния режим.

- > Ако вече сте избрали режима на алармата, сега можете да зададете времето на алармата. Натиснете **HOUR / TUN- (2)**, **за** да зададете, и **MIN / TUN+ (3)**, за да зададете минутите.
- > Натиснете **AL.1 / VOL- (8)** или **AL.2 / VOL+ (9)** в зависимост от това дали сте задали Аларма номер 1 или Аларма номер 2, за да запаметите времето на алармата.

247 Активиране и деактивиране на алармата

- > Когато радиобудилникът е изключен, можете да изберете дали устройството да работи в режим по време на алармата: Радио или Звуков сигнал. Светодиодът със символ на звънец е опцията със зумер. Светодиодът със символа на нота е опцията с радио. Натиснете **AL.1 / VOL- (8)** или **AL.2 / VOL+ (9)**, **за** да изберете желанния режим.
- > За да отмените алармата, натиснете **AL.1 / VOL- (8)** или **AL.2 / VOL+ (9)**, докато червеният индикатор до символа за звънец и бележка изчезне.
- > Когато алармата е активирана, за да я деактивирате, натиснете бутона **AL.OFF (2)**.

248 Функция **Snooze**

- > По време на алармата натискането на бутона **NAP/DIMMER/SLEEP/SNOOZE (5)** ще се изключи за 10 мин. По време на периода на дрямка светодиодът, разположен до символа на звънеца и бележката, мига.
- > След 10 минути алармата ще се включи отново.
- > За да изключите напълно алармата, натиснете бутона **AL.OFF (2)**, светодиодът, символизиращ вида на алармата, ще спре да мига.
- > Алармата ще се включи отново на следващия ден в определено време.

249 **Настройка на таймера за изключване**

- > Таймерът за изключване се настройва, когато радиочасовникът е включен.
- > С натискане на бутона **NAP/DIMMER/SLEEP/SNOOZE (5)** имате възможност да промените времето, след което устройството се изключва автоматично.
- > Налични са следните настройки: **10, 20, 30, 40, 50, 60, 70, 80, 90 мин.** и **OFF (изключване на таймера)**.
- > Когато таймерът за изключване е активиран, на екрана на радиото ще светне червен светодиод, който показва таймера.

2410 **Промяна на силата на звука**

- > Докато слушате радио, натиснете **AL.1 / VOL- (8)**, **за** да намалите силата на звука.

- > Докато слушате радио, натиснете **AL.2 / VOL+ (9)**, за да увеличите силата на звука.

24.11 Промяна на интензивността на подсветката на LED дисплея

Налични са две настройки на яркостта на екрана.

- > За да промените яркостта, натиснете и задръжте бутона **NAP/DIMMER/SLEEP/SNOOZE (5)**.
- > Повторно натискане на бутона **NAP/DIMMER/SLEEP/SNOOZE** за по-дълъг период от време **(5)** ще се върне предишната интензивност на светодиода.

24.12 Времева проекция

- > За да активирате времевата проекция, натиснете бутона **PROJECTION ON/ OFF (4)**. Времето ще се прожектира и ще се вижда на тавана.
- > За да регулирате фокуса на показваното време, моля, настройте го **СЪОТВЕТНО**
Копче за фокусиране (10).
- > Повторното натискане на бутона **PROJECTION ON/OFF (4)** ще изключи прожекцията на екрана.

24.13 Функция **FLIP**

- > За да обърнете времето, показвано на тавана, на 180о по време на прожекцията, натиснете бутона **180 FLIP (6)**.

3 Спецификация

Честотен диапазон: FM 87,5-108 MHz

Източник на захранване: AC 230V ~
50 Hz, 5W LED дисплей: 1,2"

Размери на устройството: 155x63x79mm

Батерии: 2x AAA за архивиране на паметта* Изходна мощност: 0,5 W

Списък с любими станции: 10
позиции Функция за прожектиране
на времето: ДА Функция FLIP: ДА

Източник на светлина на проектора: LED

ЗАБЕЛЕЖКА: Захранването от батерията се използва само за поддържане на паметта на устройството в случай на прекъсване на електрозахранването (напр. паметта за времето). Батериите не са включени в комплекта.

4 Производител

TechniSat Digital Sp. z o.o.
ul. Poznańska 2,
Siemianice 55-120 Oborniki
Śląskie

Офис за обслужване на клиенти

тел: +48 71 310 41 41, e-mail: biuro@technisat.com
Отворено от понеделник до петък от: 8:00-16:00

Návod k obsluze

DIGICLOCK 3

Radiobudík s LED displejem a projektorem



TechniSat

1 Bezpečnostní pokyny

1.1 Předmluva

Vážení zákazníci,

Děkujeme, že jste si vybrali radiobudík TechniSat.

Tento návod k obsluze vám má pomoci seznámit se s funkcemi nového přístroje a optimálně je využívat. Pomůže vám používat radiobudík bezpečně a v souladu s jeho určením. Je u r č e n všem, kteří přístroj instalují, obsluhují, čistí nebo likvidují. Návod k obsluze si uschovejte na bezpečném místě pro budoucí použití.

Tým TechniSat

1.2 Použité symboly a značky

V této příručce:



Označuje bezpečnostní pokyn, jehož nedodržení může způsobit způsobit vážné zranění nebo smrt. Dodržujte následující signální slova:

NEBEZPEČÍ - vážné zranění s následkem smrti.

VAROVÁNÍ - Těžké zranění, které může vést k úmrtí.

POZNÁMKA - Zranění.



Uvádí poznámku, kterou je třeba dodržovat, aby nedošlo k poruchám zařízení, ztrátě dat/zneužití nebo nechtěnému provozu. Popisuje také další funkce zařízení.



Varování před elektrickým napětím. Dodržujte všechny bezpečnostní pokyny, abyste předešli úrazu elektrickým proudem. Spotřebič nikdy neotvírejte.

V zařízení:



Použití v interiéru - spotřebiče označené tímto symbolem jsou vhodné pouze pro použití v interiéru.



Vaše zařízení je označeno CE a splňuje všechny požadované normy EU.



Tento spotřebič byl navržen a vyroben z vysoce kvalitních materiálů a součástí, které lze recyklovat. Symbol přeškrtnuté popelnice na kolečkách označuje, že výrobek podléhá tříděnému sběru v souladu se směrnicí Evropského parlamentu.

a Rady 2012/19/EU a v souladu se směrnicí Evropského parlamentu a Rady 2006/66/ES a informuje, že elektrická a elektronická zařízení a baterie a akumulátory po skončení jejich životnosti nesmí být likvidovány s

ostatní odpad z domácností. Uživatel je povinen je odevzdat sběrně elektroodpadu a baterií a akumulátorů, která zavedla systém sběru tohoto odpadu, včetně příslušné prodejny, místního sběrného místa nebo obecní jednotky. Odpadní zařízení mohou mít vzhledem k možnému obsahu nebezpečných látek, směsí a složek škodlivý vliv na životní prostředí a lidské zdraví. Domácnost hraje důležitou roli při přispívání k opětovnému použití a využití, včetně recyklace, odpadních zařízení. V této fázi se formují postoje, které ovlivňují zachování společného dobra, jímž je čisté životní prostředí. Domácnosti jsou také jedním z největších uživatelů drobného vybavení a racionální nakládání s tímto vybavením ovlivňuje využití druhotných surovin. V případě nesprávné likvidace tohoto výrobku mohou být uloženy sankce v souladu s vnitrostátními právními předpisy. Na konci životního cyklu výrobku by neměl být likvidován v rámci odpadky z běžného domovního odpadu, ale do sběrného místa pro odpadní elektrická a elektronická zařízení. To je označeno symbolem na výrobku, v návodu k použití nebo na obalu. Materiály jsou recyklovatelné podle označení. Opětovným použitím, recyklací nebo jiným způsobem recyklace starého zařízení významně přispíváte k ochraně životního prostředí.

1.3 Účel

TechniSat DIGICLOCK 3 je určen pro příjem rozhlasového vysílání v pásmu FM. Zařízení je určeno pro soukromé použití a není vhodné pro komerční účely.

1.4 Bezpečná manipulace

Dodržujte následující pokyny, abyste minimalizovali bezpečnostní rizika, zabránili poškození zařízení a přispěli k ochraně životního prostředí.

Pečlivě si přečtete všechny bezpečnostní pokyny a uschovejte si je pro budoucí použití. Vždy dodržujte všechna varování a pokyny uvedené v tomto návodu a na zadní straně spotřebiče.



NEBEZPEČÍ!

Spotřebič nikdy neotvírejte!

Dotýkání se živých součástí je životu nebezpečné!



POZOR!

Nebezpečí udušení! Nenechávejte obal a jeho části v péči dětí. Nebezpečí udušení fólií a jinými obalovými materiály!



Abyste zajistili správné používání spotřebiče a předešli jeho poškození a zranění osob, je nutné dodržovat všechny následující pokyny.

- Spotřebič neopravujte sami. Opravy by měli provádět pouze vyškolení odborníci. Kontaktujte

naše střediska služeb zákazníkům.

- Příklad smí být provozován pouze v podmínkách prostředí, které jsou pro něj určeny.
- Spotřebič nevystavujte kapající nebo stříkající vodě. Pokud se do spotřebiče dostane voda, vypněte jej a informujte servisní oddělení.
- Kromě běžného používání nevystavujte přístroj zdrojům tepla, které jej zahřívají.
- V případě zjevné závady na spotřebiči, zápachu nebo kouře, závažných závad nebo poškození krytu se neprodleně obraťte na servisní středisko.
- Příklad smí být provozován pouze při uvedeném síťovém napětí. Nikdy se nepokoušejte přístroj provozovat při jiném napětí.
- Pokud je jednotka poškozená, nesmí se používat.
- Příklad nepoužívejte v blízkosti vany, sprchy, bazénu nebo tekoucí/stříkající vody. Hrozí nebezpečí úrazu elektrickým proudem a/nebo poškození zařízení.
- Do přístroje nesmí spadnout cizí předměty, např. jehly, mince apod. Nedotýkejte se kovovými předměty nebo prsty připojovacích kontaktů. Mohlo by to způsobit zkrat.
- Spotřebič není určen pro použití osobami (včetně dětí) se sníženými fyzickými, smyslovými nebo duševními schopnostmi nebo s nedostatečnými zkušenostmi a/nebo znalostmi, pokud na ně osoba odpovědná za jejich bezpečnost nedohlídá nebo je nepoučila o používání spotřebiče.
- Je zakázáno provádět změny na zařízení.
- Nikdy se nedívejte přímo nebo optickými přístroji do světelného paprsku projektoru. Hrozí poškození zraku!

1.41 Právní pokyny



Společnost TechniSat tímto prohlašuje, že rádiové zařízení typu DIGICLOCK 3 (76- 4903-00) je v souladu se směrnicí 2014/53/EU a RoHS. Úplné znění EU prohlášení o shodě je k dispozici na následující webové adrese:

[pnh://konf.tsat.de/?ID=22886](http://konf.tsat.de/?ID=22886)



Společnost TechniSat neodpovídá za poškození výrobku způsobené vnějšími vlivy, opotřebením nebo nesprávným zacházením, neautorizovanými opravami, úpravami nebo nehodami.



Změny a tiskové chyby vyhrazeny. Kopírování a rozmnožování

pouze se souhlasem vydavatele. Nejnovější verze příručky je k dispozici ve formátu PDF v oblasti pro stahování na domovské stránce TechniSat na adrese www.technisat.pl.

1.42 Informace o službě

- i** Tento výrobek je testován na kvalitu a vztahuje se na něj zákonná záruka 24 měsíců od data zakoupení. Uschovejte si prosím doklad o koupi. V případě záruční reklamace hradí náklady na poštovné přímo výrobci zákazník.
- i** V případě dotazů a informací nebo problémů s tímto zařízením je k dispozici naše technická horká linka: pondělí. - od 8:00 do 16:00 hodin na telefonním čísle: +71 310 41 48.
- i** Ručitel se v rámci poskytnuté záruky zavazuje odstranit na vlastní náklady případné vady výrobku. Odstranění vad se uskuteční výměnou vadného výrobku za nový, bezvadný, nebo jeho opravou.
- i** Pro uplatnění záruky je kupující povinen nahlásit vadu výrobku na prodejním místě, kde byl výrobek zakoupen, a to doručit tam vadný výrobek. Výrobek by měl být dodán kompletní.
- i** Záruka se nevztahuje na vady výrobku způsobené kupujícím nebo vzniklé v důsledku:
- používat nebo instalovat výrobek v rozporu s návodem k použití,
 - nesprávné skladování nebo údržba spotřebiče,
 - opravy nebo úpravy výrobku prováděné neoprávněnými osobami,
 - vniknutí kapalin nebo cizích těles,
 - údery blesku a přepětí v elektrickém vedení
- i** Ustanovení záruky nevyklučují, neomezují ani nepozastavují práva kupujících (spotřebitelů) podle obecně platných právních předpisů (záruka).
- i** Podrobné informace o výrobku, včetně pravidel a postupů pro záruční řízení, přidělení čísla RMA, je možné získat na adrese telefonicky 71 310 41 48 nebo e-mailem serwis@technisat.com , v pracovní dny, 8:00 až 16:00. **Žadosti o služby ON-LINE prostřednictvím www.serwis.technisat.com.**

CS

2 Popis zařízení

21 Obsah zařízení

Zkontrolujte, zda jsou zahrnuty následující položky: 1x TechniSat DIGICLOCK 3
1x uživatelská příručka

22 Speciální funkce

Rádio má následující speciální funkce:

- Příjem rádia FM.
- Rozsah příjmu UKW 87,5-108 MHz (analogově).
- LED displej.
- RMS zvukový výkon 0,5 W.
- Programová paměť 10 stanic FM.
- LED projektor s funkcí FLIP

23 Příprava zařízení k provozu

23.1 Nastavení drátové antény

Počet a kvalita přijímaných stanic závisí na podmínkách příjmu v místě instalace. Vynikajícího příjmu lze dosáhnout s drátovou anténou.

> Umístěte drátěnou anténu podélně.



Přesné umístění drátové antény je často důležité, zejména v okrajových oblastech příjmu FM.



První hledání začněte u okna směrem ke stožáru vysílače. Za špatného počasí může být příjem omezen.



Během přehrávání stanic se nedotýkejte drátové antény. Mohlo by to vést k rušení příjmu a ke ztrátě zvuku.

23.2 Připojení k napájení



POZOR!

Nedotýkejte se zástrčky mokřýma rukama, hrozí nebezpečí úrazu elektrickým proudem!



POZOR!

Uspořádejte síťový kabel tak, aby o něj nikdo nezakopl.

- > Zapojte síťovou zástrčku zařízení DIGICLOCK 3 do síťové zásuvky (AC 230V ~ 50Hz).
- > Před připojením spotřebiče do zásuvky se ujistěte, že provozní napětí spotřebiče odpovídá místnímu síťovému napětí.



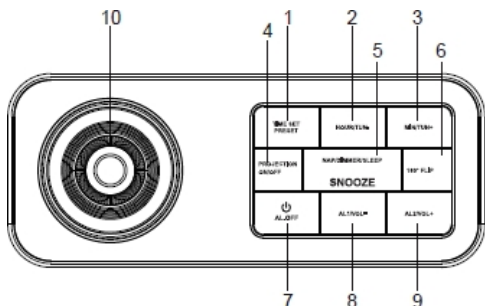
Pokud zástrčku nepoužíváte, vytáhněte ji ze zásuvky. Vytáhněte zástrčku, nikoli kabel. Před bouřkou odpojte zařízení ze zásuvky. Pokud nebudete přístroj delší dobu používat, např. před odjezdem na dlouhou cestu, odpojte jej ze zásuvky. Teplo vznikající při provozu musí být odváděno dostatečnou cirkulací vzduchu. Proto spotřebič nezakrývejte

ani ji neumísťujte do uzavřené skříně. Kolem spotřebiče zajistěte volný prostor alespoň 10 cm.



Radiobudík je napájen střídavým proudem. Pro udržení přesného času při výpadku napájení ze sítě použijte dvě baterie velikosti AAA. Vložte baterie podle označení polarit (+/-) v přihrádce na baterie. Vyměňte všechny baterie za nové najednou. Pokud zařízení nebudete delší dobu používat, vyjměte všechny baterie.

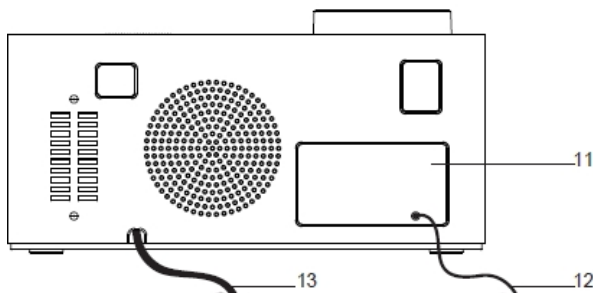
24 Funkce zařízení



1. ČASOVÁ PŘEDVOLBA
2. HOUR/TUN-
3. MIN/TUN+
4. ZAPNUTÍ/VYPNUTÍ PROJEKCE
5. ZDŘÍMNUTÍ/ZTLUMENÍ/SPÁNEK/DŘÍMOTA
6. 180 FLIP
7. AL.OFF
8. AL1/VOL-
9. AL2/VOL+
10. Zaostřovací kolečko
11. Kryt baterie
12. Anténní kabel
13. Napájecí kabel



- A. Bzučák alarmu 1
- B. Alarm 1 Rádio
- C. NAP (časovač)
- D. SLEEP
- E. Bzučák alarmu 2
- F. Alarm 2 Rádio



241 Nastavení správného času

- > Chcete-li nastavit správný čas, vypněte přístroj stisknutím tlačítka **AL.OFF (2)**.
- > Poté stiskněte tlačítko **TIME SET PRESET (1)** na delší dobu.
- > Chcete-li nastavit čas, stiskněte tlačítko **HOUR / TUN- (2)**.
- > Pro nastavení minut použijte tlačítko **MIN / TUN+ (3)**.
- > Nastavený čas potvrdíte stisknutím tlačítka **TIME SET PRESET (1)**.

242 Automatické ladění

- > Rádiobudík zapněte tlačítkem **AL.OFF (2)**.
- > Chcete-li spustit automatické vyhledávání stanic, stiskněte déle tlačítko **HOUR / TUN- (2)** nebo **MIN / TUN+ (3)**.
- > Rádiobudík začne automaticky prohledávat pásmo, které se zastaví na první nalezené stanici.

243 Ruční ladění rádia

- > Pro nastavení správné frekvence příjmu použijte tlačítka **HOUR / TUN- (2)** a **MIN / TUN+ (3)**. Po každém jejich stisknutí se frekvence změní o 0,1 MHz.

244 Ukládání stanic do oblíbených

- > Chcete-li uložit stanici do seznamu oblíbených, stiskněte déle tlačítko **TIME SET PRESET (1)**.
- > Číslo programu na obrazovce bliká. Pomocí tlačítek **HOUR / TUN- (2)** nebo **MIN / TUN+ (3)** nastavte požadované číslo a program uložte potvrzením tlačítkem **TIME SET PRESET (1)**.

245 Vyvolání programu ze seznamu rozhlasových programů

- > Stiskněte tlačítko **TIME SET PRESET (1)**.
- > Každé další stisknutí změní číslo oblíbeného programu o jednu pozici nahoru.

246 Nastavení budíku

- > Chcete-li nastavit budík, vypněte rádiový budík stisknutím tlačítka **AL.OFF (2)**.
- > Po vypnutí přístroje stiskněte tlačítko **AL.1 / VOL- (8)** nebo **AL.2 / VOL+ (9)**. Na displeji bude blikat nastavený čas.
- > Můžete zvolit, zda má zařízení během alarmu pracovat v režimu : Rádio nebo bzučák. LED dioda se symbolem zvonku představuje možnost se zvukovým signálem. LED dioda se symbolem noty je možnost s rádiem. Stiskněte tlačítko **AL.1 / VOL- (8)** nebo **AL.2 /VOL+ (9)** vyberte požadovaný režim.

- > Pokud jste již zvolili režim budíku, můžete nyní nastavit čas budíku. Stisknutím tlačítka **HOUR / TUN- (2)** nastavte hodiny a stisknutím tlačítka **MIN / TUN+ (3)** nastavte minuty.
- > Stiskněte tlačítko **AL.1 / VOL- (8)** nebo **AL.2 / VOL+ (9)** podle toho, zda jste nastavili budík číslo 1 nebo budík číslo 2 pro uložení času budíku.

247 Aktivace a deaktivace alarmu

- > Když je radiobudík vypnutý, můžete zvolit, zda má přístroj během buzení pracovat v režimu : Rádio nebo bzučák. LED dioda se symbolem zvonku představuje možnost se zvukovým signálem. Kontrolka LED se symbolem noty je možnost s rádiem. Stisknutím tlačítka **AL.1 / VOL- (8)** nebo **AL.2 / VOL+ (9)** vyberte požadovaný režim.
- > Chcete-li alarm zrušit, stiskněte tlačítko **AL.1 / VOL- (8)** nebo **AL.2 / VOL+ (9)**, dokud nezmizí červený indikátor vedle symbolu zvonku a poznámky.
- > Když je alarm aktivován, stiskněte tlačítko , abyste jej deaktivovali. **AL.OFF (2)**.

248 Funkce Snooze

- > Stisknutím tlačítka **NAP/DIMMER/SLEEP/SNOOZE** během buzení **(5) se vypne na 10 min.** Během doby odložení bliká LED dioda umístěná vedle symbolu zvonku a poznámky. CS
- > Po 10 minutách se alarm znovu rozezní.
- > Chcete-li alarm zcela vypnout, stiskněte tlačítko **AL.OFF (2)**, LED dioda symbolizující typ alarmu přestane blikat.
- > Budík se znovu rozezní následující den v nastavený čas.

249 Nastavení časovače vypnutí

- > Časovač vypnutí je nastaven při zapnutí radiobudíku.
- > Stisknutím tlačítka **NAP/DIMMER/SLEEP/SNOOZE (5)** můžete změnit dobu, po které se přístroj automaticky vypne.
- > K dispozici jsou následující nastavení: **10, 20, 30, 40, 50, 60, 70, 80, 90 min.** a **OFF (časovač vypnutý)**.
- > Po aktivaci časovače vypnutí se na displeji rádia rozsvítí červená LED dioda, která indikuje časovač.

2410 Změna hlasitosti

- > Při poslechu rádia snižte hlasitost stisknutím tlačítka **AL.1 / VOL- (8)**.
- > Při poslechu rádia zvýšte hlasitost stisknutím tlačítka **AL.2 / VOL+ (9)**.

24.11 Změna intenzity podsvícení displeje LED

K dispozici jsou dvě nastavení jasu obrazovky.

- > Chcete-li změnit jas, stiskněte a podržte tlačítko **NAP/DIMMER/SLEEP/SNOOZE (5)**.
- > Opětovné stisknutí tlačítka **NAP/DIMMER/SLEEP/SNOOZE** na delší dobu **(5)** se vrátí na předchozí intenzitu LED.

24.12 Časová projekce

- > Chcete-li aktivovat časovou projekci, stiskněte tlačítko **PROJECTION ON/OFF (4)**. Čas se promítne a bude viditelný na stropě.
 - > Chcete-li upravit zaostření zobrazeného času, upravte jej odpovídajícím způsobem.
- > Opětovným stisknutím tlačítka **PROJEKCE ZAP/VYP (4)** se projekce vypne.

24.13 Funkce FLIP

- > Chcete-li během promítání otočit čas zobrazený na stropě o 180°, stiskněte tlačítko **180 FLIP (6)**.

3 Specifikace

Frekvenční rozsah: Zdroj napájení: FM

87,5-108 MHz Zdroj: AC 230V ~ 50 Hz,

5W LED displej: 1,2"

Rozměry zařízení: Baterie: 155x63x79mm

Výstupní výkon: 0,5 W

Seznam oblíbených stanic: Funkce

promítání času: ANO Funkce FLIP:

ANO

Zdroj světla projektoru: LED

POZNÁMKA: Napájení z baterie slouží pouze k zachování paměti jednotky v případě výpadku napájení (např. časová paměť). Baterie nejsou součástí dodávky.

4 Výrobce

TechniSat Digital Sp. z o.o.

ul. Poznańska 2,

Siemianice 55-120 Oborniki

Śląskie

Kancelář služeb zákazníkům

tel: +48 71 310 41 41, e-mail: biuro@technisat.com

Otevřeno od pondělí do pátku od: 8:00-16:00