

# Operating instructions

## TRAVELRADIO 2 CE

Portable FM radio powered by a rechargeable battery with mD3 playback from microSD card and USB and LED torch function.



TechniSat

## Notes on recycling

The device has been protected by packaging. All materials used are environmentally friendly and recyclable. Please dispose of the packaging in an environmentally friendly manner. Please check with your dealer or municipal waste disposal facility for current recycling methods.



This appliance is designed and manufactured from high-quality materials and components that can be reused. The symbol of the crossed-out wheeled bin indicates-

informs that the product is subject to separate collection in accordance with Directive 2012/19/EU of the European Parliament and of the Council and in accordance with Directive 2006/66/EC of the European Parliament and of the Council, and informs that electrical and electronic equipment and batteries and accumulators, once used, must not be disposed of with other household waste. The user is obliged to hand it over to a waste electrical and electronic equipment as well as batteries and accumulators collector forming a system of collection of such waste, including to an appropriate shop, local collection point or municipal unit. Waste equipment may have a harmful impact on the environment and human health due to its potential to contain hazardous substances, mixtures and components. The household plays an important role in contributing to reuse and recovery, including recycling, of waste equipment. At this stage, attitudes are formed that contribute to preserving the common good, which is a clean environment. Households are also one of the biggest users of small appliances and their rational management influences the recovery of secondary raw materials. Penalties may be imposed in accordance with national legislation if this product is not disposed of properly.

Batteries/accumulators may contain toxic substances harmful to health and the environment. Batteries are subject to European Directive 2006/66/EC. They must not be disposed of with normal household waste. Used batteries/accumulators may be disposed of free of charge at a specialist dealer or at special waste disposal facilities.

Danger of suffocation!

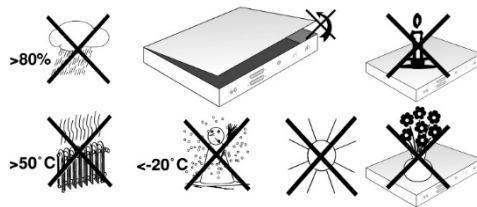


Packaging and its parts should not leave children. Danger of suffocation by films and other packaging materials.

### Precautions, setting up the device

- To avoid the risk of fire and electric shock, do not expose the unit to rain or moisture.
- Do not use the device near baths, swimming pools or water.
- Do not place containers with liquids such as flower vases on the unit. They may fall off and the leaking liquid may cause serious damage or risk of electric shock.
- Do not open the housing. Otherwise there is a risk of electric shock.
- Never attempt to repair a defective unit yourself. Please always contact one of our customer service centres.
- Do not open the device under any circumstances - this can only be done by specialist.
- Foreign bodies, e.g. needles, coins, etc., must not fall into the unit.
- Do not touch the terminal contacts on the back of the device with metal objects or fingers. The result can be short circuits.
- Open flame sources, such as paraffin candles.
- Never allow children to use this equipment unsupervised.
- Maintenance work should always be carried out by qualified technicians. Otherwise you are putting yourself and others at risk.
- Do not listen to the radio at a high volume. This can lead to permanent hearing damage.
- Do not listen to the radio using headphones at high volume. This can lead to permanent hearing damage.
- Place the unit on a stable, safe and horizontal surface. Ensure good ventilation.
- Do not place the appliance on soft surfaces such as carpets, ceilings or near curtains or wall hangings as the ventilation openings may be covered. In this way, the necessary air circulation can be interrupted. This can lead to the appliance catching fire.
- The appliance must not be covered with curtains, blankets or newspapers.
- Do not place the unit near heat sources such as radiators. Avoid direct sunlight and areas with exceptionally high dust levels.
- Do not choose a location in a room with high humidity, e.g. kitchen or sauna, as condensation may damage the appliance. The appliance is designed for use in dry and moderate environments and must not be exposed to dripping or splashing water.
- The device can only be operated in the horizontal position.
- No heavy objects may be placed on the unit.
- Do not place the unit near equipment that generates a strong magnetic field (e.g. motors, loudspeakers, transformers).

- In the event of a thunderstorm, unplug the device from the power outlet. Overheating may damage the device.
- In the event of a noticeable malfunction of the appliance, odour or smoke, serious malfunctions, damage to the housing, switch off the appliance and contact the service department.
- The appliance is not a toy. Children do not recognise the hazards associated with the use of electrical appliances. Keep the appliance out of reach of children and pets.
- This appliance is not intended for use by persons (including children) with reduced physical, sensory or mental capabilities, or lack of experience and/or knowledge, unless they are supervised by a person responsible for their safety or have been given instructions by this person on how to use the appliance.
- Children must be supervised to ensure that they do not play with the appliance.
- Never look directly or with optical instruments into the light beam of the LED torch. Risk of damage to eyesight!
- Do not dispose of the unit's batteries in a fire or use it at high temperatures as there is a risk of explosion.



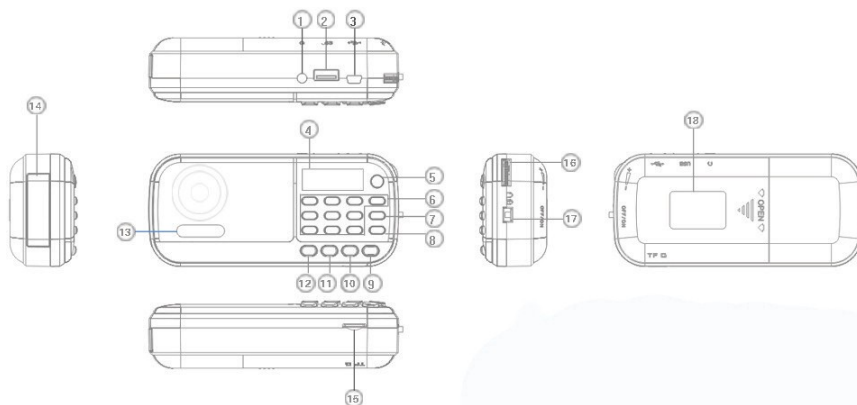
### Handling of batteries

- Ensure that batteries/batteries are not in the hands of children. Children could put batteries in their mouths and swallow them. This can cause serious damage to health. If this happens, consult a doctor immediately!
- Keep batteries/batteries out of the reach of small children.
- The appliance may only be powered by batteries/accumulators approved for use in this appliance.
- Normal batteries may not be tadded. Batteries must not be reactivated by any other means, disassembled, heated or thrown into an open flame (danger of explosion!).
- Clean the battery terminals and the device contacts before insertion. Incorrect insertion of batteries/accumulators can cause an explosion!
- Only replace batteries/batteries with the correct type and model number.
- Caution! Do not expose batteries to extreme conditions.

- Do not place on heaters, do not expose to direct sunlight!
- Leakage or damage to batteries/batteries may cause burns on contact with the skin. Use suitable protective gloves in this case. Clean the battery compartment with a dry cloth.
- If the appliance is not used for an extended period of time, remove the accumulators.



Improper handling of batteries/accumulators poses a risk of explosion!



## 1. Description of the device

1. 3.5 mm jack connector
2. USB connector
3. Power connection (mini-USB)
4. LED display
5. LED button
6. Numeric buttons
7. FM button
8. Repeat button
9. M button (mode change)
10. Next button
11. Play/Pause
12. Previous button
13. Speaker
14. LED torch
15. MicroSD connector
16. Volume control
17. ON/OFF switch (in the down position)
18. Battery cover

## 2. Important battery information

### Connecting the battery

Open the battery compartment and connect the batteries according to the required polarity.

### Battery charging

Connect the device by plugging the USB cable into the DC IN 5V socket (miniUSB) and plugging the other end into a USB port or USB charger\*. Charging time is approximately 6-8 hours. The charging indicator shows the battery charge level.

USB charger\* not included. Do not charge the battery with the charger for more than 24 hours!

Note: If the device will be unused for a long period of time, please recharge the batteries.

## 3. Basic radio operation

- a. To switch on the radio, turn the switch to the down position. The device will not switch to FM station playback.
- b. Press the M button to select the mode (FM radio, USB or SD). USB or SD mode is available by connecting USB or microSD media.
- c. Press the Next or Previous button for longer than a second to scan to the next station.
- d. Then adjust the volume with the volume control.
- e. To switch off the radio, please set the ON/OFF switch to the upper position.

## 4. Automatic search, programme recording.

- a. To start the automatic search, press the Play/Pause button for 2 seconds. The device will start an automatic scan and automatically save the station under the corresponding numbers.
- b. To call stored stations, press the Next and Previous buttons or select a station using the Number buttons.

## 5. mp3 playback from microSD card and USB connection

The device allows mp3 files to be played from a microSD card and USB connection. In order to play mp3 you need to:

- a. After connecting a USB or microSD device, press the M button to call up USB or SD mode.
- b. Before connecting a USB device to the radio, make sure that the port is facing the right direction. In the case of a microSD card, also check the exact direction of insertion of the card into the reader.

- c. Once the appropriate mode has been selected, the system will automatically start to un-face the mp3.
- d. You can skip forward/backward between songs using the Next and Previous buttons.

Note: mp3 files should be placed in the root directory of the USB and microSD memory stick. If files are placed in directories/folders, they will not be read by the device.

Note: after switching off and on again, the device switches to USB mode if a memory stick is connected.

Note: the memory stick and SD card must be formatted in the FAT32 file system. Maximum capacity of supported media is 32GB.

*Attention: Incorrectly connected USB or microSD storage devices will damage the USB/microSD reader in the device. Please ensure that external USB/microSD devices are connected correctly!*

## 6. LED torch

The device has a built-in LED torch.

- a. To switch on the torch, please press the LED button available under the torch sym- bols.
- b. Pressing the LED button again will switch off the torch.

## 7. Specification

Loudspeaker output power:	3W RMR
Supply voltage:	DC 5V, 500mA
Battery/battery capacity: Batteries:	2x 1200 mAh
Working hours:	3.7V 18650 type 4.44 Wh
Battery charging time from 0-100%	approx. 8 hours (half volume)
Speaker size:	approx. 6 to 8 hours
Impedance:	40 mm
Frequency response:	4 Ohm
Headphone connection:	100 Hz -18 kHz
Weight:	3.5 mm jack
Dimensions:	approx. 200g
	134x60x34 mm

## 7. Contact details

Service request TechniSat tel: 071  
310 41 48

e-mail: [serwisptechnisat.com](mailto:serwisptechnisat.com)  
Customer Service Office

Tel: 071 310 41 41

e-mail: [biuroptechnisat.com](mailto:biuroptechnisat.com)

Open Monday to Friday from: 8:00-16:00

TechniSat Digital Sp. z o.o. hereby declares that the TRAVELRADIO 2 portable radio complies with Directive 2014/53/EU and RoHs. The full text of the EU declaration of conformity is available at the following internet address:  
<http://konf.tsat.de/?ID=23050>



## 8. Service information

This product is quality tested and has a statutory warranty period of 24 months from the date of purchase. Please keep your invoice as proof of purchase. For warranty claims, please contact the seller of the product or the manufacturer.

In case of questions or information or if you have a problem with this device, our technical hotline is available: Monday. - to Friday, 8:00 a.m. to 4:00 p.m. on telephone number: +71 310 41 48.

The guarantor, within the scope of the granted guarantee, undertakes to remove any defects of the product at its own expense. The removal of defects will take place by replacing the defective product with a new one, free from defects, or by repairing it.

In order to make use of the guarantee, the purchaser is obliged to report the defective product to the point of sale where the product was purchased and to deliver the defective product there. The product must be delivered complete. The guarantee does not cover product defects caused by the purchaser or resulting from:

- use or install the product in a manner inconsistent with the instructions for use,
- improper storage or maintenance of the product,- repairs or modifications to the product carried out by unauthorised persons,
- ingress of liquids or foreign bodies,
- atmospheric discharges and short-circuits in the supply network.

The provisions of the guarantee do not exclude, limit or suspend the rights of purchasers (consumers) under the generally applicable legal provisions.

Detailed information on the product, including the rules and procedures of the guarantee procedure and assigning an RMA number can be obtained by calling 71 310 41 48 or emailing [serwisatechni-sat.com](mailto:serwisatechni-sat.com), on working days from 8 am to 4 pm.