

Operating instructions

DIGITRADIO BT 1

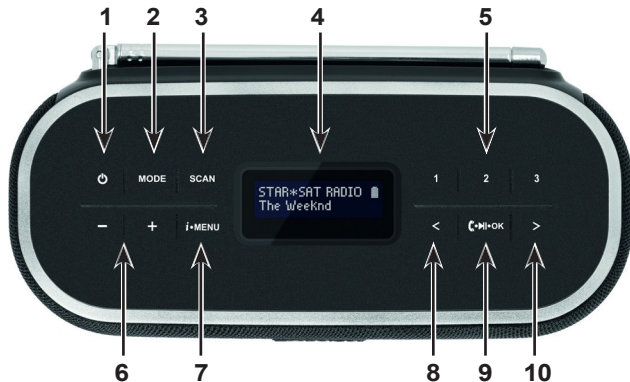
VIOLA BT 1

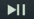
DAB+/UKW radio with Bluetooth streaming and battery operation

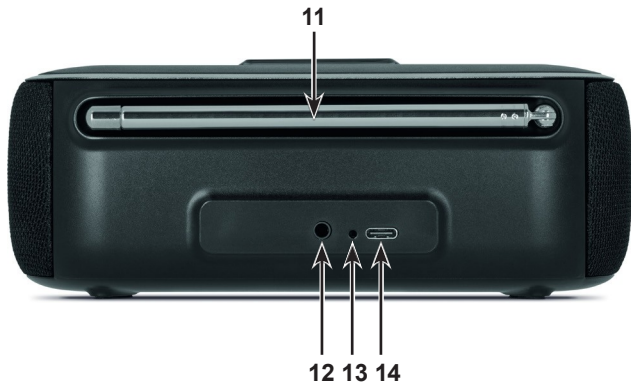


TechniSat

1 Illustrations



- | | | | |
|---|-------------------------------|----|--|
| 1 | On/Standby | 6 | Volume loud/quiet |
| 2 | MODE (source selection) | 7 | MENU/INFO |
| 3 | SCAN (channel search) | 8 | < / Previous menu item |
| 4 | Display | 9 |  /OK/Accept call, hang up |
| 5 | Direct dialling buttons 1...3 | 10 | > / Next menu item |



- 11 **Telescopic antenna**
- 12 **AUX (analogue audio input 3.5 mm jack)**
- 13 **Charge status LED**
- 14 **USB-C charging port**

2 Table of contents

1	Figures.....	2
2	Table of contents	4
3	Safety instructions.....	9
3.1	Foreword.....	9
3.2	Characters and symbols used	10
3.3	Intended use.....	12
3.4	Safe handling of the product.....	13
3.4.1	Legal information	16
3.4.2	Service notes	18
4	Description of the digital radio.....	20
4.1	The scope of delivery	20
4.2	The special features of digital radio	20
4.3	Preparing the device for operation.....	21
4.3.1	Charge battery	21
4		

4.3.2	Align antenna.....	22
4.4	General device functions.....	23
4.4.1	Switch on the device.....	23
4.4.2	Switch off the device.....	24
4.4.3	Source selection.....	24
4.4.4	Setting the volume.....	25
4.4.5	Display.....	25
5	Menu operation.....	26
6	The DAB+ (digital radio) function.....	27
6.1	What is DAB+.....	27
6.2	DAB+ (digital radio) reception.....	28
6.3	Carry out a complete search.....	28
6.4	Select transmitter.....	29
6.5	Store DAB+ stations in a memory location.....	29
6.6	Retrieve DAB+ stations from a memory location.....	30
6.7	Overwriting/deleting a programme position memory.....	31
6.8	Signal strength.....	32

6.9	Set manually.....	32
6.10	Volume adjustment (DRC).....	33
6.11	Delete inactive transmitters	34
7	FM (VHF) operation.....	35
7.1	Switch on FM radio mode	35
7.2	FM (VHF) reception with RDS information	36
7.3	Automatic station search and storage	36
7.3.1	Automatically search for the next station.....	37
7.4	Manual station search.....	37
7.5	Search setting.....	38
7.6	Storing FM stations in a memory location	39
7.7	Recalling FM stations from a memory location.....	40
7.8	Overwriting/deleting a programme position memory	40
8	Bluetooth.....	41
8.1	Switch on Bluetooth operation	41
8.2	Pairing an external device	42
8.3	Hands-free function	44

8.4	Slide on coupling	44
9	AUX input	45
10	Other functions	45
10.1	Equaliser.....	45
10.1.1	MyEQ.....	46
10.2	Alarm clock	47
10.3	Setting the alarm time.....	48
10.4	Switch off alarm clock after alarm.....	50
11	System settings	51
11.1	Time and date settings	51
11.1.1	Set time/date manually	52
11.1.2	Time update.....	53
11.1.3	Setting the time format.....	54
11.1.4	Set date format.....	54
11.2	Language.....	55
11.3	Factory setting	55

11.4	SW version	57
12	Cleaning	57
13	Eliminate errors	58
14	Technical data.....	60

3 Safety instructions

3.1 Foreword

Dear customers,

Thank you for purchasing a TechniSat digital radio. These operating instructions are intended to help you familiarise yourself with the extensive functions of your new device and make optimum use of them. It will help you to use the device safely and as intended. It is intended for any person who installs, operates, cleans or disposes of the device.

Keep the operating instructions in a safe place for future reference.

You can find a current version of the operating instructions in the download area of your product on the TechniSat website

www.technisat.de.

We hope you enjoy your TechniSat digital radio!

Your TechniSat Team

3.2 Signs and symbols used in

these operating instructions:



Indicates a safety instruction which, if disregarded, can lead to serious injuries. can lead to injuries or death. Observe the following signal words:

DANGER - Serious injuries with fatal consequences

WARNING - Serious injuries, possibly fatal

ATTENTION - Injuries



Indicates a note that you must observe to avoid device defects, data loss/misuse or unintentional operation. It also describes additional functions for your device.



Warning of electrical voltage. Follow all safety instructions to avoid electric shock. Never open the appliance.

General:



Indoor use - Appliances with this symbol are only suitable for indoor use.



Protection class II - Electrical appliances in protection class II are electrical appliances that have continuous double and/or reinforced insulation and no connection options for a protective conductor. The housing of an insulated electrical appliance of protection class II can partially or completely form the additional or reinforced insulation.



Your appliance bears the CE mark and fulfils all required EU standards.



Electronic devices/batteries do not belong in household waste, but must be disposed of properly in accordance with Directive 2012/19/EU of the European Parliament and of the Council of 4 July 2012 on waste electrical and electronic equipment (WEEE). Please dispose of this device at the end of its service life at the designated public collection points.



Observe all notes and safety instructions in these operating instructions. Keep the operating instructions in a safe place for future reference.

3.3 Intended use

The Digitradio is designed to receive DAB+/UKW radio programmes. Music can be streamed and calls received via a Bluetooth connection to an external playback device. The device is designed for private use and is not suitable for commercial purposes.

3.4 Safe handling of the product

Please observe the following instructions to minimise safety risks, avoid damage to the appliance and contribute to environmental protection.

Please read all safety instructions carefully and keep them for future reference.

Always follow all warnings and instructions in these operating instructions and on the back of the appliance.



WARNING!

Never open the appliance!

Touching live parts is life-threatening!



WARNING!

Choking hazard! Do not leave the packaging and its parts to children. Choking hazard due to film and other packaging materials.



Observe all the following instructions for the intended use of the appliance and to prevent appliance defects and personal injury.

- Do not repair the appliance yourself. Repairs may only be carried out by trained specialists. Please contact our customer service centres.
- The appliance may only be operated in the ambient conditions specified. Do not expose the appliance to heat sources that heat the appliance in addition to normal use.
- In the event of a conspicuous appliance defect, odour or smoke development, significant malfunctions or damage to the housing, contact Service immediately.
- The appliance may only be operated with the specified mains voltage and only with the power supply unit supplied. Never attempt to operate the device with a different voltage or a different power supply unit.
- If the appliance is damaged, it must not be put into operation.
- Foreign objects, e.g. needles, coins, etc., must not fall into the interior of the device. Do not touch the connection contacts with metallic objects or the

Touch with fingers. This can result in short circuits.

- This appliance is not intended for use by persons (including children) with reduced physical, sensory or mental capabilities, or lack of experience and/or knowledge, unless they have been given supervision or instruction concerning use of the appliance by a person responsible for their safety.
- Modifications to the appliance are prohibited.
- The device is intended for use in a dry environment and in a temperate climate and must not be exposed to rain/dripping or splashing water.

3.4.1 Legal information



Hereby, TechniSat declares that the radio equipment type DIGITRADIO BT 1, VIOLA BT 1 is in compliance with Directive 2014/53/EU. The full text of the EU Declaration of Conformity is available at the following internet address:

[DIGITRADIO BT 1: http://konf.tsat.de/?ID=23243](http://konf.tsat.de/?ID=23243)

[VIOLA BT 1: http://konf.tsat.de/?ID=23289](http://konf.tsat.de/?ID=23289)



TechniSat is not liable for product damage due to external influences, wear and tear or improper handling, unauthorised repairs, modifications or accidents.



Subject to changes and printing errors. Status 04/21.
Reproduction and duplication only with the authorisation of the publisher.
The latest version of the manual is available in PDF format in the download area of the TechniSat homepage at www.technisat.com.



DIGITRADIO BT 1, VIOLA BT 1 and TechniSat are registered trademarks of:

TechniSat Digital GmbH

TechniPark

Julius-Saxler-Straße 3

D-54550 Daun/Eifel

www.technisat.com



3.4.2 Service instructions



This product is quality-tested and comes with a statutory warranty period of 24 months from the date of purchase. Please keep the invoice as proof of purchase. With
For warranty claims, please contact the dealer of the product.



Please note!

For questions and information or if there is a problem with this device, please contact our technical hotline:

Mon. - Fri. 8:00 - 18:00 under Tel.:
03925/9220 1800.



Repair orders can also be ordered directly online
at www.technisat.de/reparatur.

If you need to return the device, please use only the following address:

TechniSat Digital GmbH
Service Centre
Nordstr. 4a
39418 Staßfurt

The names of the companies, institutions or brands mentioned are trademarks or registered trademarks of their respective owners.

4 Description of the digital radio

4.1 The scope of delivery

Please check that the scope of delivery is complete before commissioning: 1x
DIGITRADIO BT 1 or VIOLA BT 1
1x USB-C charging cable
1x operating instructions

4.2 The special characteristics of digital radio

The digital radio consists of a DAB+/ FM receiver with the following functions:

- 3 direct selection buttons for DAB+ and FM stations.
- 30 favourite memory locations for DAB+ / FM stations.
- The radio receives on the frequencies FM 87.5-108 MHz (analogue) and DAB+ 174.9-239.2 MHz (digital).
- Music playback via a Bluetooth connection including hands-free function.
- Analogue audio input AUX.

- Alarm clock function
- Battery operation.

4.3 Preparing the device for operation

4.3.1 Charge battery

You should fully charge the battery before using the digital radio for the first time.

- > Connect the supplied USB-C charging cable to a USB power adapter (min. 5 V, 500 mA, not included) and the **charging port (14)** on the back of the device. Then connect the power supply unit to the mains. Alternatively, you can also use a PC USB socket, for example.
- > The charge status is signalled by the **charge status LED (13)** on the back.
 - Red** = Battery is charging.
 - Green** = Battery fully charged.

4.3.2 Align antenna

The number and quality of stations that can be received depends on the reception conditions at the installation site. Excellent reception can be achieved with the aerial.

> Unfold the antenna at the back of the device and pull it out lengthways.



The exact alignment of the telescopic antenna is important, especially in the fringe areas of DAB+ reception. On the Internet, for example, you can find "www.dabplus.de" to quickly find the location of the nearest transmitter mast.



Start the first scan outdoors in the direction of the transmitter mast. If the weather is poor, DAB+ reception may only be possible to a limited extent.



Do not touch the aerial while a station is playing. This can lead to impaired reception and audio dropouts.

4.4 General device functions

4.4.1 Switch on the device

Out of power saving mode:

- > Press and hold the **On/Standby** button (1) to switch on the digital radio.

From standby mode:

- > Briefly press the **On/Standby** button (1) to switch on the digital radio.



After switching on for the first time, the device automatically performs a complete search in DAB mode. During the scan, the display shows the progress and the number of digital radio stations found. Once the station search is complete, the first DAB+ programme is played.

4.4.2 Switch off the device

Power saving mode:

- > Pressing and holding the **On/Standby** button (1) **switches the** appliance to power-saving mode and the display goes out. The message **[Goodbye]** appears briefly on the display.

Standby mode:

- > Briefly press the **On/Standby** button (1) **to switch the** device to standby mode. The message **[Standby]** appears briefly on the display, followed by the time/date and the battery charge status.

4.4.3 Source selection

- > The **MODE** button (2) can be used to switch between the sources **DAB+** (digital radio), **FM (FM)**, **Bluetooth** and **AUX**. To do this, briefly press the ok button until the desired source is shown on the display.

4.4.4 Setting the volume

- > Adjust the volume using the **Volume +** and **-** buttons (6).

The set volume is shown on the display using a bar chart.

4.4.5 Display

Depending on the selected function or option, the following information is shown on the **display**:

Station name,
frequency,
Menu name

Display
indicators, menu
options, volume



State of
charge of the
battery

- > By pressing the **MENU/INFO** button (7) briefly and repeatedly, you can switch through the displays. This can be, for example, the date, time or title (depending on the source and information being sent).

5 Menu operation

You can access all the functions and settings of the digital radio via the menu. The menu is navigated using the **MENU/INFO**, **<**, **>** and **OK** buttons. The menu is divided into submenus and contains different options depending on the selected source.

Menu items and functions that can be activated. To open the menu, simply press and hold the **MENU/INFO button**. To switch to submenus, first press the **<**, **> buttons** to display a submenu and then press the **OK** button to call up the submenu. An asterisk (*) **marks** a currently selected function.



Close the menu: Press the **MENU/INFO** button several times (depending on which submenu you are in) until the current radio programme is displayed again.



Settings are only saved by pressing the **OK button**. If the **MENU/INFO button** is pressed in the meantime, the settings are not accepted and saved (the **MENU/INFO** button takes on the function of a "Back" button and the menu is exited).



in

Functions and buttons to be pressed are described in these operating instructions

feU is shown. Display indications in **[square brackets]**.



Some texts (e.g. menu entries, station information) may be too long to be shown on the display. After a short time, these will then be displayed as a loud text.

6 The DAB+ (digital radio) function

6.1 What is DAB+

DAB+ is a digital format that allows you to listen to crystal-clear sound without noise. Unlike conventional analogue radio stations, DAB+ broadcasts several stations on the same frequency. Further information can be found at www.dabplus.de or www.dabplus.ch.

6.2 DAB+ (digital radio) reception

> Press the **MODE** button (2) until **[DAB]** appears on the display.



When DAB+ is started for the first time, a complete station search is performed. Once the scan is complete, the first station is played in alphanumeric order.

6.3 Carry out a complete search




The automatic search scans all DAB+ Band III channels and thus finds all stations broadcast in the reception area.



Once the search is complete, the first station is played in alphanumeric order.

> Press the **SCAN** button (3).


Alternative:

- > Open the **MENU** by pressing and holding the **MENU/INFO** button and then select the **[Complete search]** entry using the **<, > buttons**. Press the **OK button**.
- > The display shows **[Search...]**.
-  During the search, a progress bar and the number of channels found are displayed.

6.4 Select transmitter

- > You can switch between the available channels by pressing the **<, > buttons**.

6.5 Store DAB+ stations in a memory location

-  The programme memory can store up to 30 stations in the DAB+ range.

- > First select the desired channel (see point 6.4).
- > Open the **MENU** by pressing and holding the **MENU/INFO** button and then use the **<, > buttons to select the [Save programme] entry. Press the OK button.**
- > Then use the **<, > buttons to select a favourite memory (1...30). Then press the OK button to save.**
- > Repeat this process to save additional channels. Alternatively:
- > Press and hold one of the **direct dialling buttons 1...3 (5) to save the selected station directly to this button.**

6.6 Retrieve DAB+ stations from a memory location

- > Open the **MENU** by holding down the **MENU/INFO** button and then use the **<, > buttons to select the [Call up programme] entry. Press the OK button.**

- > Use the **<, > buttons to select** a station memory (1...30). Press the **OK button** to play the station.



If no station is stored in the selected programme position, **[(empty)]** appears in the display.

Alternative:

- > Press one of the **direct dialling buttons 1...3 (5)** to play the station stored on it directly.

6.7 Overwriting/deleting a programme position memory

- > Simply save a new channel to a favourite memory location as described.



All memory locations are deleted when the factory settings are called up.

6.8 Signal strength

- > Briefly press the **MENU/INFO** button several times until the signal strength bar is displayed.
- > The signal strength is shown on the display using a bar chart. The marker shows the minimum signal strength.



Transmitters whose signal strength is below the required minimum signal strength are not transmitting a sufficient signal. If necessary, realign the aerial or change the location.

6.9 Set manually

This menu item is used to check the reception channels and can be used to align the aerial. Furthermore, channels can be added manually if they have not yet been saved in a search run.

- > Open the **MENU** by pressing and holding the **MENU/INFO** button and then use the **<, > buttons to select** the **[Set manually]** entry. Press the **OK button**.

- > Use the **<, > buttons to select** a channel (5A to 13F) and press the **OK** button. The signal strength is now shown on the display. If a DAB+ station is received on a channel, the ensemble name of the station is displayed. The aerial can now be aligned for maximum signal strength.



Transmitters whose signal strength is below the required minimum signal strength are not transmitting a sufficient signal. If necessary, realign the aerial or change the location.



If there are stations on the set frequency or channel that have not yet been saved in the station list, these will now also be saved.

6.10 Volume control (DRC)

The **volume adjustment** menu item is used to set the compression rate, which compensates for dynamic fluctuations and the associated volume variations.

- > Open the **MENU** by pressing and holding the **MENU/ INFO** button and then select the **[Volume adjustment]** entry using the **<, > buttons. Press the OK button.**
- > Use the **<, >** buttons to select one of the following options:
 - DRC high** -High compression
 - DRC low** -Low compression
 - DRC off** -compression switched off.
- > Confirm by pressing the **OK** button.

6.11 Delete inactive transmitters

This menu item is used to remove old and no longer receivable channels from the channel list.


- > Open the **MENU** by pressing and holding the **MENU/INFO** button and then use the **<, > buttons to select the [Inactive channels]** entry. Press the **OK button.**


You will be asked **[Delete]** whether the inactive transmitters should be deleted.

- > Use <, > to select the **[Yes]** entry and confirm by pressing the **OK** button.

7 FM (VHF) operation

7.1 Switch on FM radio mode

- > Press the **MODE** button (2) until **[FM]** appears in the display. 
When switching on for the first time, the frequency 87.5 MHz is set.

 If you have already set or memorised a station, the radio will play the last channel tuned in.

 The station name appears for RDS stations.

7.2 FM (VHF) reception with RDS information

RDS is a procedure for transmitting additional information about FM stations. Broadcasters with RDS transmit their station name or programme type, for example. This is shown on the display. The device can display the RDS information **RT** (radio text), **PS** (station name), **PTY** (programme type).

7.3 Automatic station search and storage

- > Press the **SCAN** button (3) to start the automatic station search and to save the stations found.



The scan starts and scans the entire FM frequency band at your location. Stations found are stored directly in the favourites memory. stored in the memory. After the search run, the number of channels found is shown on the display.



The number of channels found depends on the search setting. Please refer to point 7.5.

7.3.1 Automatically search for the next station

> Press and hold the <, > buttons to start the search.



If an FM station with a sufficiently strong signal is found, the search stops and the station is played. If an RDS station is received, the station name and, if applicable, the radio text will appear.



To tune to weaker stations, please use the manual station search.

7.4 Manual station search

> Briefly press the <, > buttons several times to set the desired station or frequency.



The display shows the frequency in steps of 0.05 MHz.

7.5 Search setting

The sensitivity of the search run can be set using the **search run settings**.

- > Open the **MENU** by pressing and holding the **MENU/INFO** button and then use the **<, > buttons to select the [Search settings]** entry. Press the **OK button**.
- > Select whether the search should only stop for strong channels [**Only strong channels**] or for all channels (including weak channels) [**All channels**].



With the **All channels** setting, the automatic search stops at every available channel. This can result in weak stations being played back with noise. However, more stations are also found in this way than with the "Only strong stations" setting.

- > Confirm by pressing the **OK** button.

7.6 Store FM stations in a memory location



The programme memory can store up to 30 stations in the FM range. If an automatic station search has already been carried out (see point 7.3), there may already be some stations in the favourite memory locations.

- > Play the desired channel.
- > Open the **MENU** by pressing and holding the **MENU/INFO** button and then use the **<, > buttons to select the [Save programme] entry. Press the OK button.**
- > Then use the **<, > buttons to select a favourite memory (1...30). Then press the OK button to save.**
- > Repeat this process to save additional channels. Alternatively:
- > Press and hold one of the **direct dialling buttons 1...3 (5) to save the selected station directly to this button.**

7.7 Recalling FM stations from a memory location

- > Open the **MENU** by pressing and holding the **MENU/INFO** button and then use the **<, > buttons to select** the **[Call up programme]** entry. Press the **OK button**.
- > Use the **<, > buttons to select** a station memory (1...30). Press the **OK button** to play the station.



If no station is stored in the selected programme position, **[(empty)]** appears in the display.

Alternative:

- > Press one of the **direct dialling buttons 1...3 (5)** to play the station stored on it directly.

7.8 Overwriting/deleting a programme position memory

- > Simply save a new channel to the respective memory location as described.



All memory locations are deleted when the factory settings are called up.

8 Bluetooth

In Bluetooth mode, you can play music from a connected smartphone or tablet via the speakers of the digital radio. To do this both devices are "paired" with each other first. You can also use the hands-free function for incoming calls.

8.1 Switch on Bluetooth operation

- > Press the **MODE** button (2) until **[Bluetooth] appears on the display.** 

When switching on for the first time, an external device (smartphone/tablet) can be coupled.



If an external device that is within range has already been paired, the connection is established automatically. Depending on the connected device, music playback may start automatically.

8.2 Pairing an external device

To pair an external device, e.g. a smartphone or tablet, with the digital radio, proceed as follows:

- > Start Bluetooth mode as described in section 8.1.
- > The display shows **[Bluetooth]** and **[Not connected]**.
- > Now start the search for nearby Bluetooth devices on your external device. You may need to activate the Bluetooth function on your external device first.



To activate the Bluetooth function on your external device and perform a search, please refer to the operating instructions for your external device.

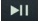


During the pairing process, both devices should be within 10cm of each other.

- > The entry **DIGITRADIO BT 1** or **VIOLA BT 1** should now appear in the list of Bluetooth devices found on your external device. Tap on it to complete the pairing process.
- > **Bluetooth Connected]** appears on the display if the pairing process was successful.



Depending on the Bluetooth protocol of your external device, you can control the music playback using the playback buttons on the digital radio:

Play/pause	- Button	 /OK
Next title	- Button	>
Previous title	- 2x button	<
Title from the beginning	- Button	<
Volume	- Keys	Volume +/-



Alternatively, you can use the playback controls of the music app on your external device.

8.3 Hands-free function

If your external device has the so-called HFP Bluetooth protocol (Hands-free protocol), calls can be received on a paired smartphone on the digital radio.

Accepting an incoming call
Accepted call
button.

Press /OK.
hang up  Press the/OK

8.4 Revive coupling

To cancel an active pairing, press and hold the **SCAN** button (3) until **[Not connected] appears on** the display. Please note that the device to be decoupled must be connected to the digital radio if you want to decouple it.
want to decouple. You can then pair a new device as described in section 8.2.



Alternatively, you can also set up the pairing on your external device. Follow the instructions in the operating instructions for your external device.

9 AUX input

You can also play back an external device via the analogue AUX input on the digital radio. Connect the external device to the **AUX connection (12)** of the DIGITRADIO BT 1 using a 3.5 mm stereo jack cable.



Set the volume of the external device to a high level and then adjust the volume on the digital radio. If the volume on the external device is too low, noise may occur during playback.

10 Further functions

10.1 Equaliser

You can use the equaliser to adjust the sound to suit your preferences.

- > Open the **MENU** by pressing and holding the **MENU/INFO** button and select the **[System]** entry using the **<, > buttons**. **Press the OK** button. Then use the **<, > buttons** to select the **[Equaliser]** entry. **Press the OK** button.

- > Select the **[Normal]** entry for a sound reproduction that is optimised for the device, or **[MyEQ...]** to set the highs and lows manually. Alternatively, you can also select one of the other available presets. Press **OK** to accept the selection.

10.1.1 MyEQ

- >Select **Menu > System > Equaliser > MyEQ** and press **OK**.
- > Use **<**, **>** to select either **[Treble]** to adjust the treble, **[Bass]** to adjust the bass or **[Volume]** to increase the volume. Then press **OK**.
- > You can now use **<**, **>** to set a value between -7 and +7. Press **OK** to accept the setting.

10.2 Alarm clock

The digital radio has 2 alarm clocks.



When the alarm clock is active, the battery power consumption increases in standby mode.

You should therefore only use the alarm clock when the digital radio is connected to the mains. Otherwise, the device may switch off completely depending on the charge status of the battery, which means that the alarm clock will no longer work properly and the battery must first be recharged.

- > Open the **MENU** by pressing and holding the **MENU/INFO** button and select the **[System]** entry using the **<, > buttons**. **Press the OK** button. Then use the **<, > buttons to select the [Alarm clock] entry**. Press the **OK** button.

10.3 Setting the alarm time



You can only operate the alarm function once the correct time has been set. Depending on the configuration, this happens automatically or must be set manually.



The time can be updated either manually, via DAB or FM. Further information on this can be found under point 11.1.

- > Use the < or > buttons to select one of the alarm time memories **Alarm clock 1** or **Alarm clock 2** and then press **OK**.
- > Then go through all the points in sequence. Confirm each entry with the **OK** button. The system then automatically jumps to the next setting. You can change the respective values or options with < and >.

Time On >

Set the **time** at which you are woken up
buttons < or > and **OK** to enter the desired setting.

- Duration** >**15, 30, 45, 60, 90** minutes: this is where
The alarm duration of the alarm timer is set.
- Source >Select** the **source** with which you would like to be
woken up. You can choose between **buzzer,**
DAB, FM.
- Programme** >**Last listened to** or a programme that you have
in the **favourites memory** (not available for source:
buzzer)
- Repetition >** **Daily, Once, Weekend (Sat+Sun),**
Working days (Mon - Fri).



If you have selected **Once**, you must then enter the date.

Volume >Select the **volume** at which you want to be woken up.

Alarm clock >

On or **Off** to activate or deactivate the set alarm clock.

- > To save the alarm clock with the settings you have made, press the **OK** button after the last entry [**Alarm clock > On**]. **Alarm clock saved** appears and a bell symbol appears on the display during normal playback and in standby.

10.4 Switch off alarm clock after alarm

- > Press the **On/Standby** button to switch off the alarm clock.
- > Press the **OK button** to switch on the snooze function. You can select the snooze time by repeatedly pressing **OK** (the length of the snooze time depends on the set alarm duration).



The bell symbol is still shown on the display if the alarm repeat is set to **Daily**, **Weekend** or **Working days**.



If you want to switch off the alarm clock completely, select **Alarm clock > Off** in the menu of the corresponding alarm clock.



The alarm tone volume increases over time up to the set maximum value.

11 System settings

All system settings are listed in the **System** submenu.

- > Open the **MENU** by pressing and holding the **MENU/INFO** button and select the **[System]** entry using the **<, > buttons**. Press the **OK button**.
- > This procedure is assumed for the settings described below.

11.1 Time and date settings

- > In the **[System]** submenu, use the **<, > buttons** to select the **[Time]** entry. Press the **OK button**.

11.1.1 Set time/date manually

Depending on the time update setting (point 11.1.2), you must set the time and date manually.

- > In the **[Time]** submenu, use the **<, >** buttons to select the **[Set time/date]** entry. Press the **OK** button.
- > The first digits (hours) of the time flash and can be changed using the **<, >** can be changed.
- > Press the **OK** button to accept the setting.
- > The next digits (minutes) of the time then flash and can also be changed as described above.
- > After each additional setting, press the **OK** button to skip to the next setting.
- > Proceed as described above for the date.
- > After all settings have been made and the last **OK** is pressed, **[Saved]** appears in the display.

11.1.2 Time update

In this submenu, you can specify whether the time should be updated automatically via DAB+ or FM (FM) or whether you want to enter it manually (point 11.1.1).

- > In the **[Time]** submenu, use the **<**, **>** buttons to select the **[Auto. Update]**. Press the **OK** button.
- > Use the **<**, **>** buttons to select the following options:
[Update all] (update via DAB+ and FM) **[Update from DAB]** (update only via DAB+) **[Update from FM]** (update only via FM)
[No update] (time/date must be entered manually, see point 11.1.1).
- > Press the **OK** button to save the setting.

11.1.3 Setting the time format

In the **Set 12/24 hours** submenu, you can activate the 12 or 24 hour format.

- > In the **[Time]** submenu, use the **<, >** buttons to select the **[Set 12/24 hours]** entry. Press the **OK** button.
- > Use **<, >** to select one of the following options:
 - [Set 24 hours]**
 - [Set 12 hours]**
- > Press the **OK** button to save.

11.1.4 Set date format

In the **Set date format** submenu, you can specify the format for displaying the date.

- > In the **[Time]** submenu, use the **<, >** buttons to select the entry **[Set date format]**. Press the **OK** button.

- > Use <, > to select one of the following options:
 - [DD-MM-YYYY]** (day, month, year)
 - [MM-DD-YYYY]** (month, day, year)
- > Press the **OK** button to save.

11.2 Language

- > In the **[System]** submenu, use the <, > buttons to select the entry **[Language]**. Press the **OK** button.
- > Use <, > to select one of the available languages and confirm your selection by pressing the **OK** button.

11.3 Factory setting

If you change the location of the device, e.g. when moving house or travelling, it may no longer be possible to receive the stored stations. In this case, you can delete all saved stations by resetting to **factory settings and** then start a new station search.

- > In the **[System]** submenu, use the <, > buttons to select the entry **[Factory setting]**. Press the **OK** button.
- > Use <, > to select **[Yes]** to perform the factory setting and press the **OK** button.



All previously saved channels and settings are deleted. The device is now in the factory settings.

- > The display shows **[Restart...]** and the device starts a complete search in DAB mode. During the search, the display information shows the progress and the number of digital radio stations found. Once the station search is complete, the first DAB+ programme is played.

11.4 SW version

Under SW version you can query the currently installed SW version.

- > In the **[System]** submenu, use the **<, > buttons to select the [SW version]** entry. Press the **OK** button.
- > The current SW version is displayed.

12 Cleaning



To avoid the risk of electric shock, do not clean the appliance with a wet cloth or under running water. Disconnect the power supply and switch off the appliance before cleaning!



Do not use scouring pads, scouring powder or solvents such as alcohol or petrol.



Do not use any of the following substances: Salt water, insecticide ammonia, chlorinated or acidic solvents (ammonia).



Clean the housing with a soft cloth moistened with water. Do not use spirits, thinners, etc.; they could damage the surface of the device.



Only clean the display with a soft cotton cloth. If necessary, use a cotton cloth with small amounts of non-alkaline, diluted water- or alcohol-based soapy water.



Rub the cotton cloth gently over the surface.

13 Eliminate errors

If the device does not work as intended, check it using the following table.

Symptom	Possible cause/remedy
Device cannot be switched on.	The device is not supplied with power. Connect the power supply to the device correctly. Charge the battery.

Symptom	Possible cause/remedy
No sound can be heard.	Increase the volume.
Reception via DAB+/FM is poor.	Change the position of the aerial or the digital radio.
Poor Bluetooth connection and dropouts	Do not exceed the maximum range of 10m via Bluetooth.

If you are still unable to rectify the fault after the checks described, please contact the technical hotline.

14 Technical data

Reception paths	DAB+, FM, Bluetooth, AUX
Power supply	External USB power supply (min. 5 V, 500 mA) Integrated Li-Ion battery 2000mAh, 3.7 V
Frequencies	FM: 87.5-108 MHz DAB+: 174-240 MHz Bluetooth V5.0: 2402-2480 MHz Transmission power: 4 dBm
Battery performance	Approx. 9 hours operation (2/3 volume) 3.5 hours charging time
Music performance	6 W RMS
Working temperature	0 °C ~ 40 °C
Storage conditions	0°C ~ 35°C / 40-75 % Relat. Hatch humidity
Weight	390 g

Dimensions (WxDxH)	18 x 8.2 x 6.6 cm
--------------------	-------------------

Technical changes and errors excepted.

Translated with DeepL

Istruzioni per l'uso

DIGITRADIO BT 1

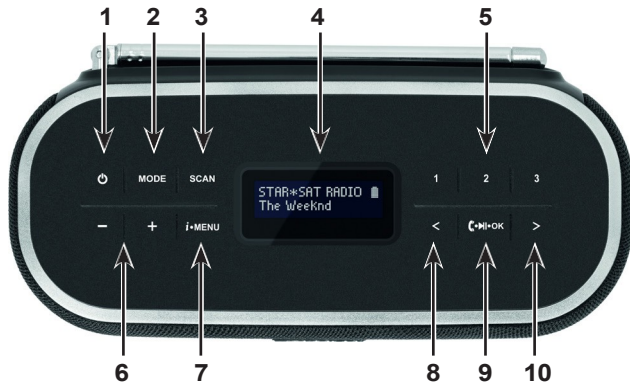
VIOLA BT 1

Radio DAB+/UKW con streaming Bluetooth e funzionamento a batteria

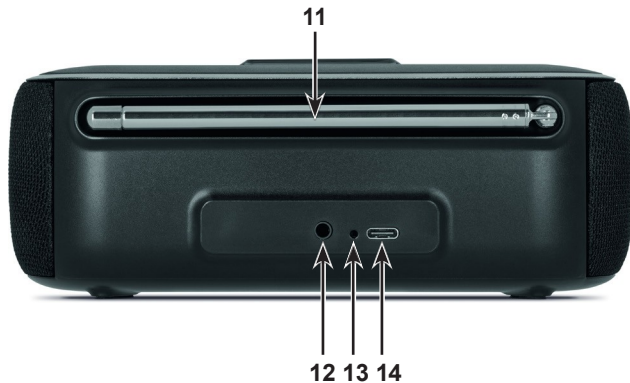


TechniSat

1 Illustrazioni



- | | | | |
|---|-------------------------------------|----|--------------------------------------|
| 1 | Acceso/Standby | 6 | Volume alto/silenzioso |
| 2 | MODE (selezione della sorgente) | 7 | MENU/INFO |
| 3 | SCAN (ricerca canali) | 8 | < / Voce di menu precedente |
| 4 | Display | 9 | ▶/OK/Accetta la chiamata, riaggancia |
| 5 | Pulsanti di selezione diretta 1...3 | 10 | > / Voce di menu successiva |



- 11 **Antenna telescopica**
- 12 **AUX (ingresso audio analogico con jack da 3,5 mm)**
- 13 **LED di stato della carica**
- 14 **Porta di ricarica USB-C**

2 Indice dei contenuti

1	Figure	2
2	Indice dei contenuti	4
3	Istruzioni di sicurezza	9
3.1	Prefazione.....	9
3.2	Caratteri e simboli utilizzati	10
3.3	Uso previsto.....	12
3.4	Manipolazione sicura del prodotto	13
3.4.1	Informazioni legali	16
3.4.2	Note di servizio	18
4	Descrizione della radio digitale	20
4.1	L'ambito di consegna	20
4.2	Le caratteristiche della radio digitale	20
4.3	Preparare il dispositivo al funzionamento	21
4.3.1	Carica della batteria.....	21

4.3.2	Allinea l'antenna	22
4.4	Funzioni generali del dispositivo	23
4.4.1	Accendere il dispositivo	23
4.4.2	Spegni il dispositivo	24
4.4.3	Selezione della fonte	24
4.4.4	Impostazione del volume	25
4.4.5	Display	25
5	Funzionamento del menu	26
6	La funzione DAB+ (radio digitale)	27
6.1	Cos'è il DAB+	27
6.2	Ricezione DAB+ (radio digitale).....	28
6.3	Esegui una ricerca completa	28
6.4	Seleziona il trasmettitore	29
6.5	Memorizza le stazioni DAB+ in una posizione di memoria	29
6.6	Richiamo di stazioni DAB+ da una posizione di memoria	30
6.7	Sovrascrivere/cancellare la memoria di una posizione del programma	31
6.8	Potenza del segnale	32

6.9	Imposta manualmente	32
6.10	Regolazione del volume (DRC).....	33
6.11	Elimina i trasmettitori inattivi	34
7	Funzionamento FM (VHF).....	35
7.1	Attiva la modalità radio FM	35
7.2	Ricezione FM (VHF) con informazioni RDS	36
7.3	Ricerca e memorizzazione automatica delle stazioni	36
7.3.1	Cerca automaticamente la stazione successiva.....	37
7.4	Ricerca manuale delle stazioni	37
7.5	Impostazione della ricerca.....	38
7.6	Memorizzazione delle stazioni FM in una posizione di memoria	39
7.7	Richiamare le stazioni FM da una posizione di memoria	40
7.8	Sovrascrivere/cancellare la memoria di una posizione del programma	40
8	Bluetooth	41
8.1	Attiva il funzionamento del Bluetooth	41
8.2	Accoppiamento di un dispositivo esterno.....	42
8.3	Funzione vivavoce	44

8.4	Giunto a slitta.....	44
9	Ingresso AUX	45
10	Altre funzioni.....	45
10.1	Equalizzatore	45
10.1.1	MyEQ.....	46
10.2	Sveglia	47
10.3	Impostazione dell'ora della sveglia	48
10.4	Spegni la sveglia dopo l'allarme	50
11	Impostazioni del sistema.....	51
11.1	Impostazioni di data e ora	51
11.1.1	Imposta manualmente la data e l'ora.....	52
11.1.2	Aggiornamento del tempo	53
11.1.3	Impostazione del formato dell'ora	54
11.1.4	Imposta il formato della data.....	54
11.2	Lingua.....	55
11.3	Impostazione di fabbrica	55

11.4	Versione SW	57
12	Pulizia	57
13	Eliminare gli errori	58
14	Dati tecnici	60

3 Istruzioni di sicurezza

3.1 Premessa

Cari clienti,

Grazie per aver acquistato una radio digitale TechniSat. Queste istruzioni per l'uso hanno lo scopo di aiutarti a familiarizzare con le numerose funzioni del tuo nuovo apparecchio e a sfruttarle al meglio. Ti aiuteranno a utilizzare il dispositivo in modo sicuro e conforme alla destinazione. Sono destinate a chiunque installi, utilizzi, pulisca o smaltisca il dispositivo.

Conserva le istruzioni per l'uso in un luogo sicuro per poterle consultare in futuro.

Puoi trovare una versione aggiornata delle istruzioni per l'uso nell'area download del tuo prodotto sul sito web di TechniSat.

www.technisat.de.

Speriamo che la tua radio digitale TechniSat ti piaccia!

Il tuo team TechniSat

3.2 Segni e simboli utilizzati in

queste istruzioni per l'uso:



Indica un'istruzione di sicurezza che, se non rispettata, può causare gravi lesioni. può causare lesioni o morte. Rispetta i seguenti segnali:

PERICOLO - Ferite gravi con conseguenze fatali

AVVERTENZA - Lesioni gravi, con possibile rischio di morte

ATTENZIONE - Lesioni



Indica una nota che devi rispettare per evitare difetti del dispositivo, perdita/abuso di dati o funzionamento involontario. Descrive inoltre le funzioni aggiuntive del dispositivo.



Attenzione alla tensione elettrica. Segui tutte le istruzioni di sicurezza per evitare scosse elettriche. Non aprire mai l'apparecchio.

Generale:



Usò interno - Gli apparecchi con questo simbolo sono adatti solo per l'uso interno.



Classe di protezione II - Gli apparecchi elettrici in classe di protezione II sono apparecchi elettrici con isolamento continuo doppio e/o rinforzato e senza opzioni di connessione per un conduttore di protezione. L'involucro di un apparecchio elettrico isolato di classe di protezione II può formare parzialmente o completamente l'isolamento aggiuntivo o rinforzato.



Il tuo apparecchio ha il marchio CE e soddisfa tutti gli standard europei richiesti.



I dispositivi elettronici/batterie non rientrano nei rifiuti domestici, ma devono essere smaltiti correttamente in conformità alla Direttiva 2012/19/UE del Parlamento Europeo e del Consiglio del 4 luglio 2012 sui rifiuti di apparecchiature elettriche ed elettroniche (RAEE). Ti preghiamo di smaltire questo dispositivo al termine della sua vita utile presso i punti di raccolta pubblici designati.



Rispetta tutte le note e le istruzioni di sicurezza contenute in queste istruzioni per l'uso. Conserva le istruzioni per l'uso in un luogo sicuro per poterle consultare in futuro.

3.3 Uso previsto

Il Digradio è progettato per ricevere programmi radiofonici DAB+/UKW. La musica può essere trasmessa in streaming e le chiamate possono essere ricevute tramite una connessione Bluetooth a un dispositivo di riproduzione esterno. Il dispositivo è progettato per uso privato e non è adatto a scopi commerciali.

3.4 Manipolazione sicura del prodotto

Rispetta le seguenti istruzioni per ridurre al minimo i rischi per la sicurezza, evitare danni all'apparecchio e contribuire alla tutela dell'ambiente.

Leggi con attenzione tutte le istruzioni di sicurezza e conservale per future consultazioni. Segui sempre tutte le avvertenze e le istruzioni riportate in queste istruzioni per l'uso e sul retro dell'apparecchio.



ATTENZIONE!

Non aprire mai l'apparecchio!

Toccare parti vive mette a rischio la vita!



ATTENZIONE!

Pericolo di soffocamento! Non lasciare l'imballaggio e le sue parti ai bambini.

Pericolo di soffocamento a causa della pellicola e di altri materiali di imballaggio.



Rispetta tutte le seguenti istruzioni per utilizzare l'apparecchio nel modo previsto e per evitare difetti dell'apparecchio e lesioni personali.

- Non riparare l'apparecchio da solo. Le riparazioni possono essere effettuate solo da personale specializzato. Contatta i nostri centri di assistenza clienti.
- L'apparecchio può essere utilizzato solo nelle condizioni ambientali specificate. Non esporre l'apparecchio a fonti di calore che lo riscaldino oltre al normale utilizzo.
- In caso di difetti evidenti dell'apparecchio, di sviluppo di odori o fumo, di malfunzionamenti significativi o di danni all'involucro, contatta immediatamente l'assistenza.
- L'apparecchio può essere utilizzato solo con la tensione di rete specificata e solo con l'alimentatore in dotazione. Non cercare mai di far funzionare l'apparecchio con una tensione diversa o con un alimentatore diverso.
- Se l'apparecchio è danneggiato, non deve essere messo in funzione.
- Gli oggetti estranei, ad esempio aghi, monete, ecc. non devono cadere all'interno del dispositivo. Non toccare i contatti di collegamento con oggetti metallici o con il

Tocca con le dita. Questo può provocare dei cortocircuiti.

- Questo apparecchio non è destinato all'uso da parte di persone (compresi i bambini) con ridotte capacità fisiche, sensoriali o mentali, o con mancanza di esperienza e/o conoscenza, a meno che non abbiano ricevuto supervisione o istruzioni sull'uso dell'apparecchio da parte di una persona responsabile della loro sicurezza.
- È vietato modificare l'apparecchio.
- Il dispositivo è destinato all'uso in un ambiente asciutto e in un clima temperato e non deve essere esposto a pioggia/gocciolamento o spruzzi d'acqua.

3.4.1 Informazioni legali



TechniSat dichiara che l'apparecchiatura radio DIGITRADIO BT 1, VIOLA BT 1 è conforme alla Direttiva 2014/53/UE. Il testo completo della Dichiarazione di Conformità UE è disponibile al seguente indirizzo internet:

[DIGITRADIO BT 1: http://konf.tsat.de/?ID=23243](http://konf.tsat.de/?ID=23243)

[VIOLA BT 1: http://konf.tsat.de/?ID=23289](http://konf.tsat.de/?ID=23289)



TechniSat non è responsabile per danni al prodotto dovuti a influenze esterne, usura o uso improprio, riparazioni non autorizzate, modifiche o incidenti.



Soggetto a modifiche ed errori di stampa. Stato 04/21.
Riproduzione e duplicazione solo con l'autorizzazione dell'editore. L'ultima versione del manuale è disponibile in formato PDF nell'area download della homepage di TechniSat all'indirizzo www.technisat.com.



DIGITRADIO BT 1, VIOLA BT 1 e TechniSat sono marchi registrati da TechniSat:

TechniSat Digital GmbH

TechniPark

Julius-Saxler-Straße 3

D-54550 Daun/Eifel

www.technisat.com



3.42 Istruzioni per l'assistenza



Questo prodotto è testato e ha una garanzia legale di 24 mesi dalla data di acquisto. Conserva la fattura come prova d'acquisto. Con Per le richieste di garanzia, contatta il rivenditore del prodotto.



Attenzione!

Per domande e informazioni o in caso di problemi con questo dispositivo, contatta la nostra hotline tecnica:

Lun. - Ven. 8:00 - 18:00 sotto Tel.:
03925/9220 1800.



Gli ordini di riparazione possono essere ordinati anche direttamente online sul sito www.technisat.de/reparatur.

Se devi restituire il dispositivo, utilizza esclusivamente il seguente indirizzo:

Centro Servizi
TechniSat Digital GmbH
Nordstr. 4a
39418 Staßfurt

I nomi delle aziende, delle istituzioni o dei marchi citati sono marchi o marchi registrati dei rispettivi proprietari.

4 Descrizione della radio digitale

4.1 L'ambito di consegna

Prima della messa in funzione, verifica che la fornitura sia completa: 1x
DIGITRADIO BT 1 o VIOLA BT 1
1 cavo di ricarica USB-C
1x istruzioni per l'uso

4.2 Le caratteristiche speciali della radio digitale

La radio digitale è costituita da un ricevitore DAB+/ FM con le seguenti funzioni:

- 3 pulsanti di selezione diretta delle stazioni DAB+ e FM.
- 30 posizioni di memoria preferite per le stazioni DAB+ / FM.
- La radio riceve sulle frequenze FM 87.5-108 MHz (analogica) e DAB+ 174.9-239.2 MHz (digitale).
- Riproduzione musicale tramite connessione Bluetooth con funzione vivavoce.
- Ingresso audio analogico AUX.

- Funzione sveglia
- Funzionamento a batteria.

4.3 Preparare il dispositivo al funzionamento

4.3.1 Carica la batteria

È necessario caricare completamente la batteria prima di utilizzare la radio digitale per la prima volta.

- > Collega il cavo di ricarica USB-C in dotazione a un adattatore di alimentazione USB (min. 5 V, 500 mA, non incluso) e alla **porta di ricarica (14)** sul retro del dispositivo. Quindi collega l'alimentatore alla rete elettrica. In alternativa, puoi anche utilizzare una presa USB del PC, ad esempio.
- > Lo stato di carica è segnalato dal **LED di stato (13)** sul retro.
 - Rosso** = La batteria è in carica.
 - Verde** = Batteria completamente carica.

4.32 Allinea l'antenna

Il numero e la qualità delle stazioni ricevibili dipendono dalle condizioni di ricezione del sito di installazione. Con l'antenna è possibile ottenere una ricezione eccellente.

> Apri l'antenna sul retro del dispositivo ed estraila nel senso della lunghezza.



L'allineamento esatto dell'antenna telescopica è importante, soprattutto nelle zone marginali della ricezione DAB+. Su Internet, per esempio, puoi trovare "www.dabplus.de" per trovare rapidamente la posizione del pilone trasmittente più vicino.



Avvia la prima scansione all'aperto in direzione del pilone del trasmettitore. Se le condizioni meteorologiche sono avverse, la ricezione DAB+ potrebbe essere possibile solo in misura limitata.



Non toccare l'antenna durante la riproduzione di una stazione. Ciò può causare una ricezione disturbata e cadute dell'audio.

4.4 Funzioni generali del dispositivo

4.4.1 Accendi il dispositivo

Esce dalla modalità di risparmio energetico:

- > Tieni premuto il pulsante **On/Standby (1) per** accendere la radio digitale.

Dalla modalità standby:

- > Premi brevemente il pulsante **On/Standby (1) per** accendere la radio digitale.



Dopo la prima accensione, il dispositivo esegue automaticamente una ricerca completa in modalità DAB. Durante la scansione, il display mostra l'avanzamento e il numero di stazioni radio digitali trovate. Una volta completata la ricerca delle stazioni, viene riprodotto il primo programma DAB+.

4.42 Spegni il dispositivo

Modalità di risparmio energetico:

- > Tenendo premuto il pulsante **On/Standby (1)**, l'apparecchio passa alla modalità di risparmio energetico e il display si spegne. Il messaggio **[Goodbye]** appare brevemente sul display.

Modalità standby:

- > Premi brevemente il pulsante **On/Standby (1) per portare il dispositivo** in modalità standby. Il messaggio **[Standby]** appare brevemente sul display, seguito dall'ora/data e dallo stato di carica della batteria.

4.43 Selezione della fonte

- > Il pulsante **MODE (2)** può essere utilizzato per passare da una sorgente all'altra **DAB+** (radio digitale), **FM (FM)**, **Bluetooth** e **AUX**. Per farlo, premi brevemente il tasto ok finché la sorgente desiderata non viene visualizzata sul display.

4.4.4 Impostazione del volume

> Regola il volume utilizzando i pulsanti **Volume +** e **-** (6).

Il volume impostato viene visualizzato sul display tramite un grafico a barre.

4.4.5 Display

A seconda della funzione o dell'opzione selezionata, sul **display** vengono visualizzate le seguenti informazioni:

Nome della stazione,

frequenza,

Nome del menu

Indicatori del
display, opzioni
del menu,

volume



Stato di
carica della
batteria

> Premi brevemente il pulsante **MENU/INFO** (7) più volte per passare da una visualizzazione all'altra. Può trattarsi, ad esempio, della data, dell'ora o del

titolo (a seconda della sorgente e delle informazioni inviate).

5 Funzionamento del menu

Puoi accedere a tutte le funzioni e le impostazioni della radio digitale tramite il menu. Il menu si naviga utilizzando i pulsanti **MENU/INFO**, **<**, **>** e **OK**. Il menu è suddiviso in sottomenu e contiene diverse opzioni a seconda della sorgente selezionata. Voci di menu e funzioni attivabili. Per aprire il menu è sufficiente tenere premuto il pulsante **MENU/INFO**. Per passare ai sottomenu, premi prima i pulsanti **<**, **>** per visualizzare un sottomenu e poi premi il pulsante **OK** per richiamare il sottomenu. Un asterisco (*) **indica** la funzione attualmente selezionata.



Chiudere il menu: Premi più volte il tasto **MENU/INFO** (a seconda del sottomenu in cui ti trovi) finché non viene visualizzato nuovamente il programma radiofonico corrente.



Le impostazioni vengono salvate solo premendo il pulsante **OK**. Se nel frattempo si preme il pulsante **MENU/INFO**, le impostazioni non vengono accettate e salvate (il pulsante **MENU/INFO** assume la funzione di pulsante "Indietro" e si esce dal menu).



in

Le funzioni e i pulsanti da premere sono descritti nelle presenti istruzioni per l'uso
viene visualizzato il messaggio "feU". Visualizza le indicazioni tra **[parentesi quadre]**.



Alcuni testi (ad esempio voci di menu, informazioni sulla stazione) potrebbero essere troppo lunghi per essere visualizzati sul display. Dopo un breve periodo di tempo, verranno visualizzati come testo ad alta voce.

6 La funzione DAB+ (radio digitale)

6.1 Cos'è il DAB+

Il DAB+ è un formato digitale che ti permette di ascoltare un suono cristallino e privo di rumore. A differenza delle stazioni radio analogiche tradizionali, il DAB+ trasmette diverse stazioni sulla stessa frequenza. Ulteriori informazioni sono disponibili su www.dabplus.de o www.dabplus.ch.

6.2 Ricezione DAB+ (radio digitale)

> Premi il pulsante **MODE (2)** finché sul display non appare **[DAB]**.



Quando si avvia DAB+ per la prima volta, viene eseguita una ricerca completa delle stazioni. Una volta completata la ricerca, viene riprodotta la prima stazione in ordine alfanumerico.

6.3 Esegui una ricerca completa



La ricerca automatica esegue una scansione di tutti i canali DAB+ Banda III e trova quindi tutte le stazioni trasmesse nell'area di ricezione.



Una volta completata la ricerca, viene riprodotta la prima stazione in ordine alfanumerico.

> Premi il pulsante **SCAN (3)**.

Alternativa:

> Apri il **MENU** **tenendo** premuto il pulsante **MENU/INFO** e seleziona la voce **[Ricerca completa]** con i pulsanti <, >. **Premi** il pulsante **OK**.

> Il display visualizza **[Cerca...]**.



Durante la ricerca, vengono visualizzati una barra di avanzamento e il numero di canali trovati.

6.4 Selezione il trasmettitore

> Puoi passare da un canale all'altro premendo i pulsanti <, >.

6.5 Memorizza le stazioni DAB+ in una posizione di memoria



La memoria programmi può memorizzare fino a 30 stazioni della gamma DAB+.

- > Per prima cosa seleziona il canale desiderato (vedi punto 6.4).
- > Apri il **MENU** tenendo premuto il tasto **MENU/INFO** e utilizza i tasti <, > per **selezionare** la voce **[Salva programma]**. Premi il pulsante **OK**.
- > Poi usa i pulsanti <, > per selezionare una memoria preferita (1...30). Poi premi il pulsante **OK** per salvare.
- > Ripeti questa procedura per salvare altri canali. In alternativa:
- > Tieni premuto uno dei **pulsanti di selezione diretta 1...3 (5)** per salvare la stazione selezionata direttamente su questo pulsante.

6.6 Richiama le stazioni DAB+ da una posizione di memoria

- > Apri il **MENU** tenendo premuto il tasto **MENU/INFO** e utilizza i tasti <, > per **selezionare** la voce **[Richiama programma]**. Premi il pulsante **OK**.

- > Usa i pulsanti <, > **per selezionare** la memoria di una stazione (1...30). Premi il pulsante **OK** per riprodurre la stazione.



Se non c'è nessuna stazione memorizzata nella posizione di programma selezionata, sul display appare **[(vuoto)]**.

Alternativa:

- > Premi uno dei **tasti di selezione diretta 1...3 (5)** per riprodurre direttamente la stazione memorizzata.

6.7 Sovrascrivere/cancellare la memoria di una posizione del programma

- > È sufficiente salvare un nuovo canale in una posizione di memoria preferita come descritto.



Tutte le posizioni di memoria vengono cancellate quando si richiamano le impostazioni di fabbrica.

6.8 Potenza del segnale

- > Premi brevemente il tasto **MENU/INFO** più volte fino a visualizzare la barra dell'intensità del segnale.
- > L'intensità del segnale viene visualizzata sul display tramite un grafico a barre. L'indicatore mostra la potenza minima del segnale.



I trasmettitori la cui potenza del segnale è inferiore alla potenza minima richiesta non trasmettono un segnale sufficiente. Se necessario, riallinea l'antenna o cambia la posizione.

6.9 Imposta manualmente

Questa voce di menu serve per controllare i canali di ricezione e può essere utilizzata per allineare l'antenna. Inoltre, i canali possono essere aggiunti manualmente se non sono ancora stati salvati in una scansione.

- > Apri il **MENU** **tenendo** premuto il pulsante **MENU/INFO** e utilizza i pulsanti <, > **per selezionare** la voce [**Imposta manualmente**]. **Premi** il pulsante **OK**.

- > Usa i pulsanti <, > **per selezionare** un canale (da 5A a 13F) e premi il pulsante **OK**. L'intensità del segnale viene ora visualizzata sul display. Se su un canale viene ricevuta una stazione DAB+, viene visualizzato il nome della stazione. Ora è possibile allineare l'antenna per ottenere la massima potenza del segnale.



I trasmettitori la cui potenza del segnale è inferiore alla potenza minima richiesta non trasmettono un segnale sufficiente. Se necessario, riallinea l'antenna o cambia la posizione.



Se ci sono stazioni sulla frequenza o sul canale impostato che non sono ancora state salvate nell'elenco delle stazioni, anche queste verranno salvate.

6.10 Controllo del volume (DRC)

La voce di menu **Regolazione del volume serve per** impostare il tasso di compressione, che compensa le fluttuazioni dinamiche e le relative variazioni di volume.

- > Apri il **MENU** **tenendo** premuto il pulsante **MENU/ INFO** e seleziona la voce **[Regolazione volume]** con i pulsanti **<, >**. **Premi** il pulsante **OK**.

- > Usa i pulsanti **<, >** per selezionare una delle seguenti opzioni:
 - DRC alto** - Alta compressione
 - DRC basso** - Bassa compressione
 - DRC off** - compressione disattivata.

- > Conferma premendo il pulsante **OK**.

6.11 Elimina i trasmettitori inattivi

Questa voce di menu serve a rimuovere i canali vecchi e non più ricevibili dall'elenco dei canali.




- > Apri il **MENU** **tenendo** premuto il tasto **MENU/INFO** e utilizza i tasti **<, >** **per selezionare** la voce **[Canali inattivi]**. **Premi** il pulsante **OK**.

Ti verrà chiesto **[Elimina]** se i trasmettitori inattivi devono essere eliminati.

- > Usa <, > per selezionare la voce **[Si]** e conferma premendo il pulsante **OK**.

7 Funzionamento FM (VHF)

7.1 Attiva la modalità radio FM

- > Premi il pulsante **MODE (2)** finché sul display non appare **[FM]**. 
Alla prima accensione, viene impostata la frequenza di 87,5 MHz.
-  Se hai già impostato o memorizzato una stazione, la radio riproduce l'ultimo canale sintonizzato.
-  Il nome della stazione appare per le stazioni RDS.

7.2 Ricezione FM (VHF) con informazioni RDS

L'RDS è una procedura per trasmettere informazioni aggiuntive sulle stazioni FM. Le emittenti dotate di RDS trasmettono, ad esempio, il nome della stazione o il tipo di programma. Questo viene visualizzato sul display. Il dispositivo può visualizzare le informazioni RDS **RT** (testo radio), **PS** (nome della stazione), **PTY** (tipo di programma).

7.3 Ricerca e memorizzazione automatica delle stazioni

- > Premi il pulsante **SCAN (3)** per avviare la ricerca automatica delle stazioni e per salvare le stazioni trovate.



La scansione si avvia ed esegue la scansione dell'intera banda di frequenza FM nel luogo in cui ti trovi. Le stazioni trovate vengono memorizzate direttamente nella memoria dei preferiti. memorizzati nella memoria. Al termine della ricerca, il numero di canali trovati viene visualizzato sul display.



Il numero di canali trovati dipende dall'impostazione della ricerca. Fai riferimento al punto 7.5.

7.3.1 Cerca automaticamente la stazione successiva

> Tieni premuti i pulsanti <, > per avviare la ricerca.



Se viene trovata una stazione FM con un segnale sufficientemente forte, la ricerca si interrompe e la stazione viene riprodotta. Se viene ricevuta una stazione RDS, viene visualizzato il nome della stazione e, se applicabile, il testo della radio.



Per sintonizzare le stazioni più deboli, utilizza la ricerca manuale delle stazioni.

7.4 Ricerca manuale delle stazioni

> Premi brevemente i pulsanti <, > più volte per impostare la stazione o la frequenza desiderata.



Il display mostra la frequenza a passi di 0,05 MHz.

7.5 Impostazione della ricerca

La sensibilità dell'esecuzione della ricerca può essere impostata con le **impostazioni dell'esecuzione della ricerca**.

- > Apri il **MENU** **tenendo** premuto il pulsante **MENU/INFO** e utilizza i pulsanti **<, >** **per selezionare** la voce **[Impostazioni di ricerca]**. Premi il pulsante **OK**.
- > Seleziona se la ricerca deve fermarsi solo per i canali forti **[Only strong channels]** o per tutti i canali (compresi quelli deboli) **[All channels]**.



Con l'impostazione **Tutti i canali**, la ricerca automatica si ferma su ogni canale disponibile. Questo può comportare che le stazioni deboli vengano riprodotte con del rumore. Tuttavia, in questo modo si trovano più stazioni rispetto all'impostazione "Solo stazioni forti".

- > Conferma premendo il pulsante **OK**.

7.6 Memorizza le stazioni FM in una posizione di memoria



La memoria programmi può memorizzare fino a 30 stazioni nella gamma FM. Se è già stata effettuata una ricerca automatica delle stazioni (vedi punto 7.3), è possibile che siano già presenti alcune stazioni nelle posizioni di memoria preferite.

- > Riproduci il canale desiderato.
- > Apri il **MENU** **tenendo** premuto il tasto **MENU/INFO** e utilizza i tasti <, > **per selezionare** la voce [**Salva programma**]. **Premi** il pulsante **OK**.
- > Poi usa i pulsanti <, > per selezionare una memoria preferita (1...30). Poi premi il pulsante **OK** per salvare.
- > Ripeti questa procedura per salvare altri canali. In alternativa:
- > Tieni premuto uno dei **pulsanti di selezione diretta 1...3 (5)** per salvare la stazione selezionata direttamente su questo pulsante.

7.7 Richiamare le stazioni FM da una posizione di memoria

- > Apri il **MENU tenendo** premuto il pulsante **MENU/INFO** e utilizza i pulsanti **<**, **>** **per selezionare** la voce [**Richiama programma**]. Premi il pulsante **OK**.
- > Usa i pulsanti **<**, **>** **per selezionare** la memoria di una stazione (1...30). Premi il pulsante **OK** per riprodurre la stazione.



Se non c'è nessuna stazione memorizzata nella posizione di programma selezionata, sul display appare **[(vuoto)]**.

Alternativa:

- > Premi uno dei **tasti di selezione diretta 1...3 (5)** per riprodurre direttamente la stazione memorizzata.

7.8 Sovrascrivere/cancellare la memoria di una posizione del programma

- > È sufficiente salvare un nuovo canale nella rispettiva posizione di memoria come descritto.



Tutte le posizioni di memoria vengono cancellate quando si richiamano le impostazioni di fabbrica.

8 Bluetooth

In modalità Bluetooth, puoi riprodurre la musica da uno smartphone o tablet collegato attraverso gli altoparlanti della radio digitale. Per farlo Entrambi i dispositivi devono prima essere "accoppiati" tra loro. Puoi anche utilizzare la funzione vivavoce per le chiamate in entrata.

8.1 Attiva il funzionamento del Bluetooth

> Premi il pulsante **MODE (2)** finché sul display non appare la **scritta**

[Bluetooth]. 

Quando si accende per la prima volta, un dispositivo esterno (smartphone/ compressa) possono essere accoppiati.



Se un dispositivo esterno nel raggio d'azione è già stato accoppiato, la

connessione viene stabilita automaticamente. A seconda del dispositivo collegato, la riproduzione musicale può iniziare automaticamente.

8.2 Accoppiamento di un dispositivo esterno

Per associare un dispositivo esterno, ad esempio uno smartphone o un tablet, alla radio digitale, procedi come segue:

- > Avvia la modalità Bluetooth come descritto nella sezione 8.1.
- > Il display visualizza **[Bluetooth]** e **[Non connesso]**.
- > Ora inizia la ricerca dei dispositivi Bluetooth vicini sul tuo dispositivo esterno. Potrebbe essere necessario attivare prima la funzione Bluetooth sul dispositivo esterno.



Per attivare la funzione Bluetooth sul dispositivo esterno ed eseguire una ricerca, consulta le istruzioni per l'uso del dispositivo esterno.

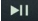


Durante il processo di accoppiamento, entrambi i dispositivi devono trovarsi a una distanza di 10 cm l'uno dall'altro.

- > La voce **DIGITRADIO BT 1** o **VIOLA BT 1** dovrebbe ora apparire nell'elenco dei dispositivi Bluetooth presenti sul tuo dispositivo esterno. Toccala per completare il processo di accoppiamento.
- > **Bluetooth Connected]** appare sul display se il processo di accoppiamento è andato a buon fine.



A seconda del protocollo Bluetooth del dispositivo esterno, puoi controllare la riproduzione della musica utilizzando i pulsanti di riproduzione della radio digitale:

Riproduzione/pausa	- Pulsante	 /OK
Titolo successivo	- Pulsante	>
Titolo precedente	- Pulsante 2x	<
Titolo dall'inizio	- Pulsante	<
Volume	- Chiavi	Volume +/-



In alternativa, puoi utilizzare i controlli di riproduzione dell'applicazione musicale sul tuo dispositivo esterno.

8.3 Funzione vivavoce

Se il tuo dispositivo esterno è dotato del cosiddetto protocollo Bluetooth HFP (Hands-free protocol), le chiamate possono essere ricevute su uno smartphone accoppiato alla radio digitale.

Accettare la chiamata in arrivo

Premi /OK.

Riaggancia  della

chiamata accettata - Premi il tasto/OK.

8.4 Accoppiamento Revive

Per annullare un'accoppiata attiva, tieni premuto il pulsante **SCAN (3)** finché sul display non appare la scritta **[Non connesso]**. Tieni presente che il dispositivo da disaccoppiare deve essere collegato alla radio digitale se vuoi disaccoppiarlo. che vuoi disaccoppiare. Potrai quindi accoppiare un nuovo dispositivo come descritto nella sezione 8.2.



In alternativa, puoi anche impostare il pairing sul tuo dispositivo esterno. Segui le istruzioni contenute nelle istruzioni per l'uso del dispositivo esterno.

9 Ingresso AUX

Puoi anche riprodurre un dispositivo esterno tramite l'ingresso analogico AUX della radio digitale. Collega il dispositivo esterno alla **connessione AUX (12)** della DIGITRADIO BT 1 utilizzando un cavo jack stereo da 3,5 mm.



Imposta il volume del dispositivo esterno a un livello alto e poi regola il volume della radio digitale. Se il volume del dispositivo esterno è troppo basso, è possibile che si senta del rumore durante la riproduzione.

10 Altre funzioni

10.1 Equalizzatore

Puoi utilizzare l'equalizzatore per regolare il suono in base alle tue preferenze.

- > Apri il **MENU** tenendo premuto il pulsante **MENU/INFO** e seleziona la voce **[Sistema]** con i pulsanti **<, >**. **Premi il pulsante OK**. Utilizza quindi i pulsanti **<, >** per selezionare la voce **[Equalizzatore]**. **Premi il pulsante OK**.

- > Seleziona la voce **[Normale]** per ottenere una riproduzione del suono ottimizzata per il dispositivo, oppure **[MyEQ...]** per impostare manualmente gli alti e i bassi. In alternativa, puoi anche selezionare una delle altre preimpostazioni disponibili. Premi **OK** per accettare la selezione.

10.1.1 MyEQ

- >Seleziona **Menu > Sistema > Equalizzatore > MyEQ** e premi **OK**.
- > Usa **<, >** per selezionare **[Alti]** per regolare gli acuti, **[Bassi]** per regolare i bassi o **[Volume]** per aumentare il volume. Poi premi **OK**.
- > Ora puoi usare **<, >** per impostare un valore compreso tra -7 e +7. Premi **OK** per accettare l'impostazione.

10.2 Sveglia

La radio digitale ha 2 sveglie.



Quando la sveglia è attiva, il consumo della batteria aumenta in modalità standby. Pertanto, devi utilizzare la sveglia solo quando la radio digitale è collegata alla rete elettrica. In caso contrario, il dispositivo potrebbe spegnersi completamente a seconda dello stato di carica della batteria, il che significa che la sveglia non funzionerà più correttamente e che la batteria dovrà essere ricaricata.

- > Apri il **MENU tenendo** premuto il pulsante **MENU/INFO** e seleziona la voce **[Sistema]** con i pulsanti **<, >**. **Premi il pulsante OK**. Utilizza quindi i pulsanti **<, >** **per selezionare** la voce **[Sveglia]**.
Premi il pulsante **OK**.

10.3 Impostazione dell'ora della sveglia



Puoi utilizzare la funzione di allarme solo dopo aver impostato l'ora corretta. A seconda della configurazione, questo avviene automaticamente o deve essere impostato manualmente.




L'ora può essere aggiornata manualmente, tramite DAB o FM. Ulteriori informazioni in merito sono disponibili al punto 11.1.

- > Usa i pulsanti < o > per selezionare una delle memorie dell'orario della sveglia **Sveglia 1** o **Sveglia 2** e poi premi **OK**.
- > Quindi, passa in rassegna tutti i punti in sequenza. Conferma ogni voce con il pulsante **OK**. Il sistema passa automaticamente all'impostazione successiva. Puoi modificare i rispettivi valori o opzioni con < e >.

Ora di accensione

Imposta l'**ora** in cui sarai svegliato e **OK** per inserire l'impostazione desiderata.

Durata	> 15, 30, 45, 60, 90 minuti: questo è il caso in cui Viene impostata la durata del timer di allarme.
Sorgente >Seleziona	la sorgente con cui vuoi essere svegliato. Puoi scegliere tra cicalino, DAB, FM .
Programma	> L'ultimo ascoltato o un programma che hai nella memoria dei preferiti (non disponibile per la sorgente: buzzer)
Ripetizione > domenica),	Tutti i giorni, Una volta, Fine settimana (sabato e Giorni lavorativi (lun-ven).
 Se hai selezionato Una volta , devi inserire la data.	
Volume >Seleziona	il volume a cui vuoi essere svegliato.

Sveglia >

Ono Off per attivare o disattivare la sveglia impostata.

- > Per salvare la sveglia con le impostazioni effettuate, premi il pulsante **OK** dopo l'ultima voce [**Sveglia > On**]. **Sveglia salvata** e il simbolo di una campana appare sul display durante la riproduzione normale e in standby.

10.4 Spegni la sveglia dopo l'allarme

- > Premi il pulsante **On/Standby** per spegnere la sveglia.
- > Premi il pulsante **OK per** attivare la funzione snooze. Puoi selezionare il tempo di snooze premendo ripetutamente il tasto **OK** (la durata dello snooze dipende dalla durata della sveglia impostata).



Il simbolo della campana è sempre visualizzato sul display se la ripetizione dell'allarme è impostata su **Giornaliero**, **Weekend** o **Giorni lavorativi**.



Se vuoi spegnere completamente la sveglia, seleziona **Sveglia > Spegni** nel menu della sveglia corrispondente.



Il volume del tono di allarme aumenta nel tempo fino al valore massimo impostato.

11 Impostazioni del sistema

Tutte le impostazioni del sistema sono elencate nel sottomenu **Sistema**.

- > Apri il **MENU tenendo** premuto il pulsante **MENU/INFO** e seleziona la voce **[Sistema]** utilizzando i pulsanti **<, >**. **Premi** il pulsante **OK**.
- > Questa procedura è prevista per le impostazioni descritte di seguito.

11.1 Impostazioni di data e ora

- > Nel sottomenu **[Sistema]**, usa i pulsanti **<, >** per selezionare la voce **[Ora]**. Premi il pulsante **OK**.

11.1.1 Imposta manualmente la data e l'ora

A seconda dell'impostazione dell'aggiornamento dell'ora (punto 11.1.2), devi impostare manualmente l'ora e la data.

- > Nel sottomenu **[Ora]**, usa i pulsanti **<, >** per **selezionare** la voce **[Imposta ora/data]**. Premi il pulsante **OK**.
- > Le prime cifre (ore) dell'ora lampeggiano e possono essere modificate con il tasto **<, >** possono essere modificati.
- > Premi il pulsante **OK** per accettare l'impostazione.
- > Le cifre successive (minuti) dell'ora lampeggiano e possono essere modificate come descritto sopra.
- > Dopo ogni ulteriore impostazione, premi il pulsante **OK** per passare all'impostazione successiva.
- > Procedi come descritto sopra per la data.
- > Dopo che tutte le impostazioni sono state eseguite e l'ultimo **OK**

viene premuto, sul display appare **[Salvato]**.

11.12 Aggiornamento del tempo

In questo sottomenu puoi specificare se l'ora deve essere aggiornata automaticamente tramite DAB+ o FM (FM) o se vuoi inserirla manualmente (punto 11.1.1).

- > Nel sottomenu **[Ora]**, usa i pulsanti <, > per selezionare l'opzione **[Auto. Aggiorna]**. Premi il pulsante **OK**.
- > Usa i pulsanti <, > per selezionare le seguenti opzioni:
[Aggiorna tutto] (aggiornamento tramite DAB+ e FM) **[Aggiorna da DAB]** (aggiornamento solo tramite DAB+) **[Aggiorna da FM]** (aggiornamento solo tramite FM)
(l'ora/data deve essere inserita manualmente, vedi punto 11.1.1).
- > Premi il pulsante **OK** per salvare l'impostazione.

11.1.3 Impostazione del formato dell'ora

Nel sottomenu **Imposta 12/24 ore** puoi attivare il formato 12 o 24 ore.

- > Nel sottomenu **[Ora]**, usa i pulsanti **<, >** per selezionare la voce **[Imposta 12/24 ore]**. Premi il pulsante **OK**.
- > Usa **<, >** per selezionare una delle seguenti opzioni:
 - [Imposta 24 ore]**
 - [Imposta 12 ore]**
- > Premi il pulsante **OK** per salvare.

11.1.4 Imposta il formato della data

Nel sottomenu **Imposta formato data**, puoi specificare il formato di visualizzazione della data.

- > Nel sottomenu **[Ora]**, usa i pulsanti **<, >** per selezionare la voce **[Imposta formato data]**. Premi il pulsante **OK**.

- > Usa <, > per selezionare una delle seguenti opzioni:
[GG-MM-AAAA] (giorno, mese, anno)
[MM-DD-YYYY] (mese, giorno, anno)
- > Premi il pulsante **OK** per salvare.

11.2 Lingua

- > Nel sottomenu [**Sistema**], usa i pulsanti <, > per selezionare la voce [**Lingua**]. Premi il pulsante **OK**.
- > Usa <, > per selezionare una delle lingue disponibili e conferma la selezione premendo il pulsante **OK**.

11.3 Impostazione di fabbrica

Se cambi la posizione del dispositivo, ad esempio quando cambi casa o viaggi, potrebbe non essere più possibile ricevere le stazioni memorizzate. In questo caso, puoi cancellare tutte le stazioni salvate ripristinando le **impostazioni di fabbrica** e poi avviare una nuova ricerca di stazioni.

- > Nel sottomenu **[Sistema]**, usa i pulsanti <, > per selezionare la voce **[Impostazione di fabbrica]**. Premi il pulsante **OK**.
- > Usa <, > per selezionare **[Si]** per eseguire l'impostazione di fabbrica e premi il pulsante **OK**.



Tutti i canali e le impostazioni precedentemente salvati vengono cancellati. Il dispositivo è ora nelle impostazioni di fabbrica.

- > Il display visualizza **[Riavvia...]** e il dispositivo avvia una ricerca completa in modalità DAB. Durante la ricerca, le informazioni sul display mostrano l'avanzamento e il numero di stazioni radio digitali trovate. Una volta completata la ricerca delle stazioni, viene riprodotto il primo programma DAB+.

11.4 Versione SW

Alla voce Versione SW puoi chiedere la versione SW attualmente installata.

- > Nel sottomenu **[Sistema]**, usa i pulsanti <, > **per selezionare** la voce **[Versione SW]**. **Premi** il pulsante **OK**.
- > Viene visualizzata la versione corrente del SW.

12 Pulizia



Per evitare il rischio di scosse elettriche, non pulire l'apparecchio con un panno bagnato o sotto l'acqua corrente. Scollegare l'alimentazione e spegnere l'apparecchio prima di pulirlo!



Non utilizzare spugne, polvere abrasiva o solventi come l'alcol o la benzina.



Non utilizzare le seguenti sostanze: Acqua salata, ammoniacca per insetticidi, solventi clorurati o acidi (ammoniaca).



Pulisci l'alloggiamento con un panno morbido inumidito con acqua. Non utilizzare alcolici, diluenti, ecc. che potrebbero danneggiare la superficie del dispositivo.



Pulisci il display solo con un panno di cotone morbido. Se necessario, usa un panno di cotone con piccole quantità di acqua saponata non alcalina e diluita in acqua o alcol.



Strofina delicatamente il panno di cotone sulla superficie.

13 Eliminare gli errori

Se il dispositivo non funziona come previsto, verificalo utilizzando la seguente tabella.

Sintomo	Possibile causa/risoluzione
Il dispositivo non può essere acceso.	Il dispositivo non è alimentato. Collega correttamente l'alimentazione al dispositivo. Carica la batteria.

Sintomo	Possibile causa/risoluzione
Non si sente alcun suono.	Aumenta il volume.
La ricezione tramite DAB+/FM è scarsa.	Cambia la posizione dell'antenna o della radio digitale.
Scarsa connessione Bluetooth e cadute di segnale	Non superare la portata massima di 10 metri tramite Bluetooth.

Se dopo i controlli descritti non riesci a risolvere il problema, contatta la hotline tecnica.

14 Dati tecnici

Percorsi di accoglienza	DAB+, FM, Bluetooth, AUX
Alimentazione	Alimentazione USB esterna (min. 5 V, 500 mA) Batteria integrata agli ioni di litio da 2000 mAh, 3,7 V
Frequenze	FM: 87.5-108 MHz DAB+: 174-240 MHz Bluetooth V5.0: 2402-2480 MHz Potenza di trasmissione: 4 dBm
Prestazioni della batteria	Circa 9 ore di funzionamento (volume 2/3) 3,5 ore di ricarica
Performance musicale	6 W RMS
Temperatura di lavoro	0 °C ~ 40 °C
Condizioni di conservazione	0°C ~ 35°C / 40-75 % Relat. Umidità del boccaporto

Peso	390 g
------	-------

Dimensioni (LxPxH)	18 x 8,2 x 6,6 cm
--------------------	-------------------

Salvo modifiche tecniche ed errori.

Translated with DeepL

Instrucciones de uso

DIGITRADIO BT 1

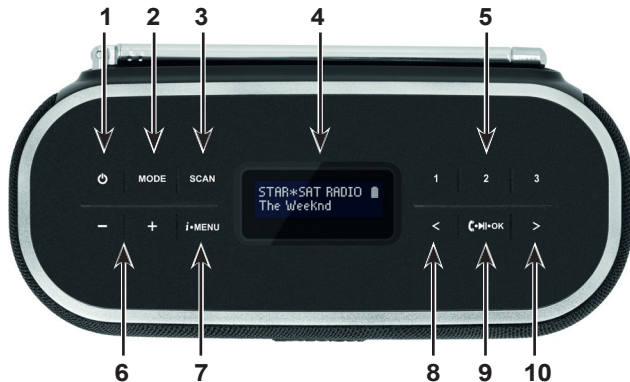
VIOLA BT 1

Radio DAB+/UKW con streaming Bluetooth y funcionamiento con batería




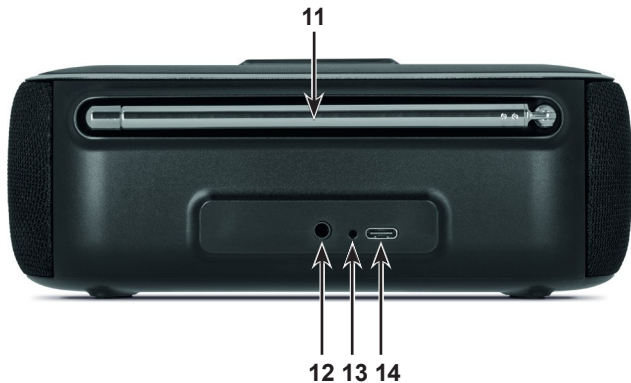
TechniSat

1 Ilustraciones



- | | | |
|---|------------------------------------|----|
| 1 | Encendido/En espera | 6 |
| 2 | MODO (selección de fuente) SCAN | 7 |
| 3 | (búsqueda de canal) | 8 |
| 4 | Mostrar | 9 |
| 5 | Botones de marcación directa 1...3 | 10 |

- | | |
|----|---|
| 6 | Volumen alto/silencioso |
| 7 | MENÚ/INFO |
| 8 | < / Elemento de menú anterior |
| 9 |  /OK/Aceptar llamada, colgar |
| 10 | > / Siguiente opción del menú |



- 11 **Antena telescópica**
- 12 **AUX (entrada de audio analógica jack 3,5 mm)**
- 13 **LED de estado de carga**
- 14 **Puerto de carga USB-C**

2 Índice

1	Cifras	2
2	Índice	4
3	Instrucciones de seguridad	9
3.1	Prólogo	9
3.2	Caracteres y símbolos utilizados	10
3.3	Uso previsto.....	12
3.4	Manipulación segura del producto	13
3.4.1	Información legal	16
3.4.2	Notas de servicio	18
4	Descripción de la radio digital	20
4.1	Alcance de la entrega	20
4.2	Las particularidades de la radio digital	20
4.3	Preparar el aparato para el funcionamiento	21
4.3.1	Carga la batería	21

4.3.2	Alinear antena	22
4.4	Funciones generales del aparato	23
4.4.1	Enciende el dispositivo	23
4.4.2	Apaga el aparato	24
4.4.3	Selección de fuentes	24
4.4.4	Ajustar el volumen	25
4.4.5	Mostrar	25
5	Funcionamiento del menú.....	26
6	La función DAB+ (radio digital).....	27
6.1	Qué es DAB.....	27
6.2	Recepción DAB+ (radio digital)	28
6.3	Realizar una búsqueda completa	28
6.4	Selecciona el transmisor.....	29
6.5	Almacenar emisoras DAB+ en una posición de memoria	29
6.6	Recuperar emisoras DAB+ de una posición de memoria.....	30
6.7	Sobrescribir/borrar una memoria de memoria de programa.....	31
6.8	Intensidad de la señal	32

6.9	Ajustar manualmente.....	32
6.10	Ajuste del volumen (DRC).....	33
6.11	Borrar transmisores inactivos.....	34
7	Funcionamiento en FM (VHF)	35
7.1	Activar el modo radio FM.....	35
7.2	Recepción FM (VHF) con información RDS.....	36
7.3	Búsqueda y almacenamiento automáticos de emisoras.....	36
7.3.1	Busca automáticamente la siguiente estación	37
7.4	Búsqueda manual de emisoras.....	37
7.5	Configuración de búsqueda	38
7.6	Almacenar emisoras FM en una posición de memoria.....	39
7.7	Recuperar emisoras FM de una posición de memoria.....	40
7.8	Sobrescribir/borrar una memoria de memoria de programa.....	40
8	Bluetooth.....	41
8.1	Activar el funcionamiento Bluetooth	41
8.2	Emparejar un dispositivo externo	42
8.3	Función manos libres	44

8.4	Acoplamiento deslizante.....	44
9	Entrada AUX.....	45
10	Otras funciones	45
10.1	Ecualizador	45
10.1.1	MyEQ.....	46
10.2	Reloj despertador.....	47
10.3	Ajustar la hora de la alarma.....	48
10.4	Apagar el despertador después de la alarma.....	50
11	Ajustes del sistema.....	51
11.1	Ajustes de fecha y hora	51
11.1.1	Ajustar hora/fecha manualmente.....	52
11.1.2	Actualización horaria	53
11.1.3	Ajustar el formato de la hora.....	54
11.1.4	Establecer formato de fecha.....	54
11.2	Lengua.....	55
11.3	Ajuste de fábrica	55

11.4	Versión SW.....	57
12	Limpieza	57
13	Eliminar errores	58
14	Datos técnicos	60

3 Instrucciones de seguridad

3.1 Prólogo

Estimados clientes,

Gracias por adquirir una radio digital TechniSat. Estas instrucciones de uso pretenden ayudarte a familiarizarte con las amplias funciones de tu nuevo aparato y a hacer un uso óptimo de ellas. Te ayudará a utilizar el aparato de forma segura y conforme a lo previsto. Está dirigido a cualquier persona que instale, maneje, limpie o elimine el aparato.

Guarda las instrucciones de uso en un lugar seguro para poder consultarlas en el futuro.

Puedes encontrar una versión actualizada de las instrucciones de uso en el área de descargas de tu producto en el sitio web de TechniSat

www.technisat.de.

¡Esperamos que disfrutes de tu radio digital
TechniSat!

Tu equipo TechniSat

3.2 Signos y símbolos utilizados en

estas instrucciones de uso:



Indica una instrucción de seguridad que, si no se respeta, puede provocar lesiones graves.

puede provocar lesiones o la muerte. Respeta las siguientes palabras de advertencia:

PELIGRO - Lesiones graves con consecuencias mortales

ADVERTENCIA - Lesiones graves, posiblemente mortales

ATENCIÓN - Lesiones



Indica una nota que debes tener en cuenta para evitar defectos en el dispositivo, pérdida de datos/uso indebido o funcionamiento involuntario. También describe funciones adicionales para tu dispositivo.



Advertencia de tensión eléctrica. Sigue todas las instrucciones de seguridad para evitar descargas eléctricas. No abras nunca el aparato.

General:



Uso en interiores - Los aparatos con este símbolo sólo son adecuados para uso en interiores.



Clase de protección II - Los aparatos eléctricos de la clase de protección II son aparatos eléctricos que tienen un aislamiento doble y/o reforzado continuo y no tienen opciones de conexión para un conductor de protección. La carcasa de un aparato eléctrico aislado de clase de protección II puede formar parcial o totalmente el aislamiento adicional o reforzado.



Tu aparato lleva la marca CE y cumple todas las normas de la UE.



Los aparatos electrónicos/baterías no deben arrojarse a la basura doméstica, sino que deben eliminarse adecuadamente de acuerdo con la Directiva 2012/19/UE del Parlamento Europeo y del Consejo, de 4 de julio de 2012, sobre residuos de aparatos eléctricos y electrónicos (RAEE). Por favor, desecha este aparato al final de su vida útil en los puntos de recogida públicos designados.



Observa todas las notas e instrucciones de seguridad de este manual de instrucciones. Guarda las instrucciones de uso en un lugar seguro para poder consultarlas en el futuro.

3.3 Uso previsto

La Digitradio está diseñada para recibir programas de radio DAB+/UKW. Se puede transmitir música y recibir llamadas a través de una conexión Bluetooth a un dispositivo de reproducción externo. El aparato está diseñado para uso privado y no es adecuado para fines comerciales.

3.4 Manipulación segura del producto

Observa las siguientes instrucciones para minimizar los riesgos de seguridad, evitar daños al aparato y contribuir a la protección del medio ambiente. Lee atentamente todas las instrucciones de seguridad y consérvalas para futuras consultas. Sigue siempre todas las advertencias e instrucciones de estas instrucciones de uso y de la parte posterior del aparato.



¡ADVERTENCIA!

¡No abras nunca el aparato!

¡Tocar partes vivas pone en peligro la vida!



¡ADVERTENCIA!

¡Peligro de asfixia! No dejes el embalaje y sus piezas al alcance de los niños.
Peligro de asfixia debido a la película y otros materiales del embalaje.



Observa todas las instrucciones siguientes para el uso previsto del aparato y para evitar defectos en el aparato y lesiones personales.

- No repares el aparato tú mismo. Las reparaciones sólo pueden ser realizadas por especialistas formados. Ponte en contacto con nuestros centros de atención al cliente.
- El aparato sólo puede funcionar en las condiciones ambientales especificadas. No expongas el aparato a fuentes de calor que lo calienten además de su uso normal.
- En caso de defecto evidente del aparato, aparición de olores o humo, averías importantes o daños en la carcasa, ponte en contacto inmediatamente con el Servicio Técnico.
- El aparato sólo puede funcionar con la tensión de red especificada y sólo con la fuente de alimentación suministrada. No intentes nunca hacer funcionar el aparato con un voltaje o una fuente de alimentación diferentes.
- Si el aparato está dañado, no debe ponerse en funcionamiento.
- No deben caer objetos extraños, como agujas, monedas, etc., en el interior del aparato. No toques los contactos de conexión con objetos metálicos ni el

Toca con los dedos. Esto puede provocar cortocircuitos.

- Este aparato no está destinado a ser utilizado por personas (incluidos niños) con capacidades físicas, sensoriales o mentales reducidas, o con falta de experiencia y/o conocimientos, a menos que hayan recibido supervisión o instrucciones sobre el uso del aparato por parte de una persona responsable de su seguridad.
- Está prohibido modificar el aparato.
- El aparato está destinado a utilizarse en un entorno seco y en un clima templado, y no debe exponerse a la lluvia/goteras o salpicaduras de agua.

3.4.1 Información legal



Por la presente, TechniSat declara que el equipo de radio tipo DIGITRADIO BT 1, VIOLA BT 1 cumple la Directiva 2014/53/UE. El texto completo de la Declaración de Conformidad de la UE está disponible en la siguiente dirección de Internet:

[DIGITRADIO BT 1: http://konf.tsat.de/?ID=23243](http://konf.tsat.de/?ID=23243)

[VIOLA BT 1: http://konf.tsat.de/?ID=23289](http://konf.tsat.de/?ID=23289)



TechniSat no se hace responsable de los daños en el producto debidos a influencias externas, desgaste o manejo inadecuado, reparaciones no autorizadas, modificaciones o accidentes.



Sujeto a cambios y errores de impresión. Estado 21/04.
Reproducción y duplicación sólo con autorización del editor. La última versión del manual está disponible en formato PDF en el área de descargas de la página principal de TechniSat en www.technisat.com.



DIGITRADIO BT 1, VIOLA BT 1 y TechniSat son marcas registradas de:

TechniSat Digital GmbH

TechniPark

Julius-Saxler-Straße 3

D-54550 Daun/Eifel

www.technisat.com



3.4.2 Instrucciones de servicio



Este producto ha sido sometido a pruebas de calidad y tiene una garantía legal de 24 meses a partir de la fecha de compra. Conserva la factura como prueba de compra. Con Para reclamar la garantía, ponte en contacto con el distribuidor del producto.



¡Atención!

Para preguntas e información o si tienes algún problema con este aparato, ponte en contacto con nuestra línea de asistencia técnica:

Lun - Vie 8:00 - 18:00 bajo Tel.:
03925/9220 1800.



Las órdenes de reparación también pueden solicitarse directamente por Internet en www.technisat.de/reparatur.

Si necesitas devolver el aparato, utiliza sólo la siguiente dirección:

Centro de Servicios
TechniSat Digital GmbH
Nordstr. 4a
39418 Staßfurt

Los nombres de las empresas, instituciones o marcas mencionadas son marcas comerciales o marcas registradas de sus respectivos propietarios.

4 Descripción de la radio digital

4.1 El alcance de la entrega

Comprueba que el volumen de suministro está completo antes de la puesta en marcha: 1x DIGITRADIO BT 1 o VIOLA BT 1
1x cable de carga USB-C
1x instrucciones de uso

4.2 Las particularidades de la radio digital

La radio digital consta de un receptor DAB+/ FM con las siguientes funciones:

- 3 botones de selección directa de emisoras DAB+ y FM.
- 30 posiciones de memoria favoritas para emisoras DAB+ / FM.
- La radio recibe en las frecuencias FM 87,5-108 MHz (analógica) y DAB+ 174,9-239,2 MHz (digital).
- Reproducción de música mediante conexión Bluetooth, incluida la función manos libres.
- Entrada de audio analógica AUX.

- Función despertador
- Funcionamiento con pilas.

4.3 Preparar el aparato para el funcionamiento

4.3.1 Carga la batería

Debes cargar completamente la batería antes de utilizar la radio digital por primera vez.

- > Conecta el cable de carga USB-C suministrado a un adaptador de corriente USB (mín. 5 V, 500 mA, no incluido) y al **puerto de carga (14)** en la parte posterior del aparato. A continuación, conecta la fuente de alimentación a la red eléctrica. También puedes utilizar, por ejemplo, la toma USB de un PC.
- > El estado de carga se indica mediante el **LED de estado de carga (13)** de la parte trasera.
 - Rojo** = La batería se está cargando.
 - Verde** = Batería totalmente cargada.

4.32 Alinea la antena

El número y la calidad de las emisoras que se pueden recibir dependen de las condiciones de recepción del lugar de instalación. Con la antena se puede conseguir una recepción excelente.

- > Despliega la antena de la parte posterior del aparato y tira de ella en sentido longitudinal.



La alineación exacta de la antena telescópica es importante, sobre todo en las zonas marginales de la recepción DAB+. En Internet, por ejemplo, puedes encontrar

"www.dabplus.de" para encontrar rápidamente la ubicación del mástil transmisor más cercano.



Inicia la primera búsqueda en el exterior en dirección al mástil transmisor. Si hace mal tiempo, la recepción DAB+ puede ser limitada.



No toques la antena mientras se esté reproduciendo una emisora. Esto puede afectar a la recepción y provocar cortes de sonido.

4.4 Funciones generales del dispositivo

4.4.1 Enciende el dispositivo

Fuera del modo de ahorro de energía:

- > Mantén pulsado el botón **Encendido/En espera (1) para** encender la radio digital.

Desde el modo de espera:

- > Pulsa brevemente el botón de **encendido/espera (1) para** encender la radio digital.



Tras encenderlo por primera vez, el aparato realiza automáticamente una búsqueda completa en modo DAB. Durante la búsqueda, la pantalla muestra el progreso y el número de emisoras de radio digital encontradas. Una vez finalizada la búsqueda de emisoras, se reproduce el primer programa DAB+.

4.4.2 Apaga el aparato

Modo de ahorro de energía:

- > Si mantienes pulsado el botón **Encendido/En espera (1)**, el aparato pasa al modo de ahorro de energía y la pantalla se apaga. El mensaje **[Adiós]** aparece brevemente en la pantalla.

Modo de espera:

- > Pulsa brevemente el botón **Encendido/En espera (1)** para poner el aparato en modo de espera. En la pantalla aparece brevemente el mensaje **[En espera]**, seguido de la hora/fecha y el estado de carga de la batería.

4.4.3 Selección de fuentes

- > El botón **MODO (2)** se puede utilizar para cambiar entre las fuentes **DAB+** (radio digital), **FM (FM)**, **Bluetooth** y **AUX**. **Para ello**, pulsa brevemente el botón hasta que la fuente deseada aparezca en la pantalla.

4.44 Ajustar el volumen

> Ajusta el volumen con los botones de **Volumen +** y **-** (6).

El volumen ajustado se muestra en la pantalla mediante un gráfico de barras.

4.45 Mostrar

Dependiendo de la función u opción seleccionada, se muestra la siguiente información en la **pantalla**:

Nombre de la emisora,
frecuencia,

Nombre del
menú

Indicadores de
pantalla,
opciones de
menú, volumen



Estado de
carga de la
batería

> Pulsando breve y repetidamente el botón **MENÚ/INFO** (7), puedes pasar de

una visualización a otra. Puede ser, por ejemplo, la fecha, la hora o el título (según la fuente y la información que se envíe).

5 Funcionamiento del menú

Puedes acceder a todas las funciones y ajustes de la radio digital a través del menú. Para navegar por el menú, utiliza los botones **MENÚ/INFO**, **<**, **>** y **OK**. El menú está dividido en submenús y contiene distintas opciones según la fuente seleccionada. Elementos del menú y funciones que se pueden activar. Para abrir el menú, mantén pulsado el botón **MENÚ/INFO**. Para pasar a los submenús, pulsa primero los botones **<**, **>** para mostrar un submenú y, a continuación, pulsa el botón **OK para** llamar al submenú. Un asterisco (*) **marca** una función actualmente seleccionada.



Cierra el menú: Pulsa varias veces el botón **MENÚ/INFO** (según el submenú en el que te encuentres) hasta que vuelva a aparecer el programa de radio actual.



Los ajustes sólo se guardan pulsando el botón **OK**. Si mientras tanto se pulsa el botón **MENÚ/INFO**, los ajustes no se aceptan ni se guardan (el botón **MENÚ/INFO** adopta la función de botón "Atrás" y se sale del menú).



Las funciones y los botones que hay que pulsar se describen en estas instrucciones de uso en

Se muestra **feU. Muestra** las indicaciones entre **[corchetes]**.



Algunos textos (por ejemplo, entradas de menú, información de la emisora) pueden ser demasiado largos para mostrarse en la pantalla. Al cabo de poco tiempo, se mostrarán como texto en voz alta.

6 La función DAB+ (radio digital)

6.1 Qué es DAB

DAB+ es un formato digital que te permite escuchar un sonido cristalino y sin ruidos. A diferencia de las emisoras de radio analógicas convencionales, DAB+ emite varias emisoras en la misma frecuencia. Puedes encontrar más información en www.dabplus.de o www.dabplus.ch.

6.2 Recepción DAB+ (radio digital)

> Pulsa el botón **MODE (2)** hasta que aparezca **[DAB]** en la pantalla.



Cuando se inicia DAB+ por primera vez, se realiza una búsqueda completa de emisoras. Una vez finalizada la búsqueda, se reproduce la primera emisora en orden alfanumérico.

6.3 Realizar una búsqueda completa



La búsqueda automática explora todos los canales DAB+ Banda III y encuentra así todas las emisoras emitidas en la zona de recepción.



Una vez finalizada la búsqueda, se reproduce la primera emisora en orden alfanumérico.

> Pulsa el botón **ESCÁNER (3)**.

Alternativa:

> Abre el **MENÚ** manteniendo pulsado el botón **MENÚ/INFO** y selecciona la entrada **[Búsqueda completa]** con los botones <, >. **Pulsa** el botón **OK**.

> La pantalla muestra **[Buscar...]**.



Durante la búsqueda, se muestra una barra de progreso y el número de canales encontrados.

6.4 **Selecciona el transmisor**

> Puedes cambiar entre los canales disponibles pulsando los botones <, >.

6.5 **Almacena emisoras DAB+ en una posición de memoria**



La memoria de programas puede almacenar hasta 30 emisoras de la gama DAB+.

- > Selecciona primero el canal deseado (ver punto 6.4).
- > Abre el **MENÚ** manteniendo pulsado el botón **MENÚ/INFO** y, a continuación, utiliza los botones <, > **para seleccionar** la entrada [**Guardar programa**]. **Pulsa** el botón **OK**.
- > A continuación, utiliza los botones <, > para seleccionar una memoria favorita (1...30).
A continuación, pulsa el botón **OK** para guardar.
- > Repite este proceso para guardar canales adicionales.

Alternativamente:

- > Mantén pulsado uno de los **botones de marcación directa 1...3 (5)** para guardar la emisora seleccionada directamente en este botón.

6.6 Recuperar emisoras DAB+ desde una posición de memoria

- > Abre el **MENÚ** manteniendo pulsado el botón **MENÚ/INFO** y, a continuación, utiliza los botones <, > **para seleccionar** la entrada [**Llamar programa**]. **Pulsa** el botón **OK**.

- > Utiliza los botones <, > **para seleccionar** una memoria de emisora (1...30). Pulsa el botón **OK** para reproducir la emisora.



Si no hay ninguna emisora memorizada en la memoria de programa seleccionada, aparece **[(vacía)]** en la pantalla.

Alternativa:

- > Pulsa uno de los **botones de marcación directa 1...3 (5)** para reproducir directamente la emisora memorizada en él.

6.7 Sobrescribir/borrar una memoria de posición de programa

- > Sólo tienes que guardar un nuevo canal en una posición de memoria favorita como se ha descrito.



Todas las posiciones de memoria se borran cuando se llaman los ajustes de fábrica.

6.8 Intensidad de la señal

- > Pulsa brevemente el botón **MENÚ/INFO** varias veces hasta que aparezca la barra de intensidad de señal.
- > La intensidad de la señal se muestra en la pantalla mediante un gráfico de barras. El marcador muestra la intensidad mínima de la señal.



Los transmisores cuya intensidad de señal está por debajo de la intensidad de señal mínima requerida no están transmitiendo una señal suficiente. Si es necesario, realinea la antena o cambia la ubicación.

6.9 Ajustar manualmente

Esta opción del menú sirve para comprobar los canales de recepción y se puede utilizar para alinear la antena. Además, se pueden añadir canales manualmente si aún no se han guardado en una búsqueda.

- > Abre el **MENÚ** manteniendo pulsado el botón **MENÚ/INFO** y, a continuación, utiliza los botones **<**, **>** **para seleccionar** la entrada **[Configurar manualmente]**. **Pulsa** el botón **OK**.

- > Utiliza los botones <, > **para seleccionar** un canal (5A a 13F) y pulsa el botón **OK**. La intensidad de la señal se muestra ahora en la pantalla. Si se recibe una emisora DAB+ en un canal, se muestra el nombre conjunto de la emisora. Ahora puedes alinear la antena para obtener la máxima intensidad de señal.



Los transmisores cuya intensidad de señal está por debajo de la intensidad de señal mínima requerida no están transmitiendo una señal suficiente. Si es necesario, realinea la antena o cambia la ubicación.



Si hay emisoras en la frecuencia o canal establecidos que aún no se han guardado en la lista de emisoras, ahora también se guardarán.

6.10 Control de volumen (DRC)

La opción de menú **Ajuste del volumen se utiliza para** ajustar la tasa de compresión, que compensa las fluctuaciones dinámicas y las variaciones de volumen asociadas.

- > Abre el **MENÚ** manteniendo pulsado el botón **MENÚ/ INFO** y selecciona la entrada **[Ajuste del volumen]** con los botones **<, >**.
Pulsa el botón **OK**.
- > Utiliza los botones **<, >** para seleccionar una de las siguientes opciones:
 - DRC alto** -Compresión alta
 - DRC bajo** -Compresión baja
 - DRC desactivado** -compresión desactivada.
- > Confírmalo pulsando el botón **OK**.

6.11 **Borrar transmisores inactivos**

Esta opción de menú se utiliza para eliminar de la lista de canales los antiguos y los que ya no se pueden recibir.

- > Abre el **MENÚ** manteniendo pulsado el botón **MENÚ/INFO** y selecciona la entrada **[Canales inactivos]** con los botones **<, >**. **Pulsa** el botón **OK**.

Se te preguntará **[Borrar]** si deben borrarse los transmisores inactivos.

- > Utiliza <, > para seleccionar la entrada **[Sí]** y confirma pulsando el botón **OK**.

7 Funcionamiento en FM (VHF)

7.1 Activa el modo radio FM

- > Pulsa el botón **MODO (2)** hasta que aparezca **[FM]** en la pantalla.



Cuando se enciende por primera vez, se ajusta la frecuencia 87,5 MHz.



Si ya has programado o memorizado una emisora, la radio reproducirá el último canal sintonizado.



El nombre de la emisora aparece para las emisoras RDS.

7.2 Recepción FM (VHF) con información RDS

El RDS es un procedimiento para transmitir información adicional sobre las emisoras de FM. Las emisoras con RDS transmiten, p o r e j e m p l o , el nombre de su emisora o el tipo de programa. Esto se muestra en la pantalla. El aparato puede mostrar la información RDS **RT** (texto de radio), **PS** (nombre de la emisora), **PTY** (tipo de programa).

7.3 Búsqueda y almacenamiento automáticos de emisoras

- > Pulsa el botón **SCAN (3)** para iniciar la búsqueda automática de emisoras y guardar las emisoras encontradas.



La búsqueda se inicia y explora toda la banda de frecuencia FM en tu ubicación. Las emisoras encontradas se almacenan directamente en la memoria de favoritos.

almacenados en la memoria. Tras la ejecución de la búsqueda, el número de canales encontrados se muestra en la pantalla.



El número de canales encontrados depende de la configuración de búsqueda. Consulta el punto 7.5.

7.3.1 Busca automáticamente la siguiente estación

> Mantén pulsados los botones <, > para iniciar la búsqueda.



Si se encuentra una emisora FM con una señal suficientemente fuerte, se detiene la búsqueda y se reproduce la emisora. Si se recibe una emisora RDS, aparecerá el nombre de la emisora y, si procede, el texto de la radio.



Para sintonizar emisoras más débiles, utiliza la búsqueda manual de emisoras.

7.4 Búsqueda manual de emisoras

> Pulsa brevemente los botones <, > varias veces para ajustar la emisora o frecuencia deseada.



La pantalla muestra la frecuencia en pasos de 0,05 MHz.

7.5 Configuración de búsqueda

La sensibilidad de la ejecución de búsqueda se puede ajustar mediante la **configuración de la ejecución de búsqueda**.

- > Abre el **MENÚ** manteniendo pulsado el botón **MENÚ/INFO** y, a continuación, utiliza los botones **<**, **>** **para seleccionar** la entrada **[Ajustes de búsqueda]**. **Pulsa** el botón **OK**.
- > Selecciona si la búsqueda debe detenerse sólo en los canales fuertes **[Sólo canales fuertes]** o en todos los canales (incluidos los débiles) **[Todos los canales]**.



Con el ajuste **Todos los canales**, la búsqueda automática se detiene en todos los canales disponibles. Esto puede hacer que las emisoras débiles se reproduzcan con ruido. Sin embargo, de esta forma también se encuentran más emisoras que con el ajuste "Sólo emisoras fuertes".

- > Confírmalo pulsando el botón **OK**.

7.6 Almacena emisoras FM en una posición de memoria



La memoria de programas puede almacenar hasta 30 emisoras de la gama FM. Si ya se ha realizado una búsqueda automática de emisoras (ver punto 7.3), puede que ya haya algunas emisoras en las posiciones de la memoria de favoritos.

- > Reproduce el canal deseado.
- > Abre el **MENÚ** manteniendo pulsado el botón **MENÚ/INFO** y, a continuación, utiliza los botones <, > **para seleccionar** la entrada [**Guardar programa**]. **Pulsa** el botón **OK**.
- > A continuación, utiliza los botones <, > para seleccionar una memoria favorita (1...30).
A continuación, pulsa el botón **OK** para guardar.
- > Repite este proceso para guardar canales adicionales.

Alternativamente:

- > Mantén pulsado uno de los **botones de marcación directa 1...3 (5)** para

guardar la emisora seleccionada directamente en este botón.

7.7 Recuperar emisoras FM de una posición de memoria

- > Abre el **MENÚ** manteniendo pulsado el botón **MENÚ/INFO** y, a continuación, utiliza los botones **<, >** para seleccionar la entrada **[Llamar programa]**.
Pulsa el botón **OK**.
- > Utiliza los botones **<, >** para seleccionar una memoria de emisora (1...30).
Pulsa el botón **OK** para reproducir la emisora.



Si no hay ninguna emisora memorizada en la memoria de programa seleccionada, aparece **[(vacía)]** en la pantalla.

Alternativa:

- > Pulsa uno de los **botones de marcación directa 1...3 (5)** para reproducir directamente la emisora memorizada en él.

7.8 Sobrescribir/borrar una memoria de posición de programa

- > Sólo tienes que guardar un nuevo canal en la posición de memoria correspondiente, tal y como se ha descrito.



Todas las posiciones de memoria se borran cuando se llaman los ajustes de fábrica.

8 Bluetooth

En el modo Bluetooth, puedes reproducir música desde un smartphone o tablet conectado a través de los altavoces de la radio digital. Para ello primero se "emparejan" ambos dispositivos entre sí. También puedes utilizar la función manos libres para las llamadas entrantes.

8.1 Activar el funcionamiento del Bluetooth

> Pulsa el botón **MODO (2)** hasta que aparezca **[Bluetooth] en la pantalla.**



Al encenderlo por primera vez, un dispositivo externo (smartphone/pastilla) pueden acoplarse.



Si ya se ha emparejado un dispositivo externo que está dentro del alcance, la conexión se establece automáticamente. Dependiendo del dispositivo conectado, la reproducción de música puede comenzar

automáticamente.

8.2 Emparejar un dispositivo externo

Para emparejar un dispositivo externo, por ejemplo un smartphone o una tablet, con la radio digital, procede como se indica a continuación:

- > Inicia el modo Bluetooth como se describe en el apartado 8.1.
- > La pantalla muestra **[Bluetooth]** y **[No conectado]**.
- > Ahora inicia la búsqueda de dispositivos Bluetooth cercanos en tu dispositivo externo. Puede que primero tengas que activar la función Bluetooth en tu dispositivo externo.



Para activar la función Bluetooth en tu dispositivo externo y realizar una búsqueda, consulta el manual de instrucciones de tu dispositivo externo.

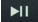


Durante el proceso de emparejamiento, ambos dispositivos deben estar a menos de 10 cm el uno del otro.

- > La entrada **DIGITRADIO BT 1** o **VIOLA BT 1** debería aparecer ahora en la lista de dispositivos Bluetooth de tu dispositivo externo. Toca sobre ella para completar el proceso de emparejamiento.
- > **Bluetooth conectado** aparece en la pantalla si el proceso de emparejamiento se ha realizado correctamente.



Dependiendo del protocolo Bluetooth de tu dispositivo externo, puedes controlar la reproducción de música utilizando los botones de reproducción de la radio digital:

Reproducir/pausar	- Botón	 /OK
Título siguiente	- Botón	>
Título anterior	- 2x botón	<
Título desde el principio	- Botón	<
Volumen	- Llaves	Volumen +/-



También puedes utilizar los controles de reproducción de la aplicación de

música de tu dispositivo externo.

8.3 Función manos libres

Si tu dispositivo externo tiene el denominado protocolo Bluetooth HFP (protocolo manos libres), se pueden recibir llamadas en un smartphone emparejado en la radio digital.

entrante

llamada aceptada - Pulsa el botón /OK.

Pulsa  /OK. Colgar



8.4 Reavivar el acoplamiento

Para cancelar un emparejamiento activo, mantén pulsado el botón **SCAN (3)** hasta que aparezca **[No conectado]** en la pantalla. Ten en cuenta que el dispositivo a desacoplar debe estar conectado a la radio digital si quieres desacoplarlo.

quieres desacoplar. A continuación, puedes emparejar un nuevo dispositivo como se describe en el apartado 8.2.



También puedes configurar el emparejamiento en tu dispositivo externo. Sigue las instrucciones del manual de instrucciones de tu dispositivo externo.

9 Entrada AUX

También puedes reproducir un dispositivo externo a través de la entrada AUX analógica de la radio digital. Conecta el dispositivo externo a la **conexión AUX (12) de la DIGITRADIO BT 1** mediante un cable jack estéreo de 3,5 mm.



Ajusta el volumen del dispositivo externo a un nivel alto y luego ajusta el volumen de la radio digital. Si el volumen del dispositivo externo es demasiado bajo, pueden oírse ruidos durante la reproducción.

10 Otras funciones

10.1 Ecualizador

Puedes utilizar el ecualizador para ajustar el sonido a tus preferencias.

- > Abre el **MENÚ** manteniendo pulsado el botón **MENÚ/INFO** y selecciona la entrada **[Sistema]** con los botones **<, >**. **Pulsa el botón OK**. A continuación, selecciona la entrada **[Ecualizador]** con los botones **<, >**. **Pulsa el botón OK**.

- > Selecciona la entrada **[Normal]** para obtener una reproducción de sonido optimizada para el dispositivo, o **[MiEQ...]** para ajustar manualmente los agudos y los graves. También puedes seleccionar uno de los otros preajustes disponibles. Pulsa **OK** para aceptar la selección.

10.1.1 MyEQ

- > Selecciona **Menú > Sistema > Ecualizador > MyEQ** y pulsa **OK**.
- > Utiliza **<, >** para seleccionar **[Agudos]** para ajustar los agudos, **[Graves]** para ajustar los graves o **[Volumen]** para subir el volumen. A continuación, pulsa **OK**.
- > Ahora puedes utilizar **<, >** para establecer un valor entre -7 y +7. Pulsa **OK** para aceptar el ajuste.

10.2 Despertador

La radio digital tiene 2 despertadores.



Quando el despertador está activo, aumenta el consumo de energía de la batería en modo de espera.

Por tanto, sólo debes utilizar el despertador cuando la radio digital esté conectada a la red eléctrica. De lo contrario, el aparato puede apagarse completamente en función del estado de carga de la batería, lo que significa que el despertador dejará de funcionar correctamente y primero habrá que recargar la batería.

- > Abre el **MENÚ** manteniendo pulsado el botón **MENÚ/INFO** y selecciona la entrada **[Sistema]** con los botones **<, >**. **Pulsa el botón OK**. A continuación, utiliza los botones **<, >** **para seleccionar** la entrada **[Reloj despertador]**. Pulsa el botón **OK**.

10.3 Ajustar la hora de la alarma



Sólo puedes utilizar la función de alarma cuando se haya ajustado la hora correcta. Dependiendo de la configuración, esto ocurre automáticamente o debe ajustarse manualmente.



La hora se puede actualizar manualmente, mediante DAB o FM. Encontrarás más información al respecto en el punto 11.1.

- > Utiliza los botones < o > para seleccionar una de las memorias de hora de alarma **Reloj alarma 1** o **Despertador 2** y, a continuación, pulsa **OK**.
- > A continuación, recorre todos los puntos en secuencia. Confirma cada entrada con el botón **OK**. El sistema saltará automáticamente al siguiente ajuste. Puedes cambiar los valores u opciones correspondientes con < y >.

Hora de encendido > Establece la **hora** a la que te despiertan < o > y **OK** para introducir el ajuste deseado.

Duración	> 15, 30, 45, 60, 90 minutos: aquí es donde Se ajusta la duración de la alarma del temporizador de alarma.
Fuente >Selecciona	la fFuente con la que quieres que te despierten. Puedes elegir entre zumbador, DAB, FM .
Programa hayas	> Último programa escuchado o un programa que en la memoria de favoritos (no disponible para la fuente: zumbador)
Repetición >	Diariamente, Una vez, Fin de semana (Sáb+Dom), Días laborables (de lunes a viernes).



Si has seleccionado **Una vez**, debes introducir a continuación la fecha.

Volumen >Selecciona el **volumen** al que quieres que te despierten.

Despertador >

Activar o Desactivar para activar o desactivar el despertador ajustado.

- > Para guardar el despertador con los ajustes que hayas realizado, pulsa el botón **OK** después de la última entrada [**Despertador > Activado**]. Aparece [**Despertador guardado**] y un símbolo de campana en la pantalla durante la reproducción normal y en espera.

10.4 Apaga el despertador después de la alarma

- > Pulsa el botón **Encendido/En espera** para apagar el despertador.
- > Pulsa el botón **OK para** activar la función de repetición. Puedes seleccionar el tiempo de repetición pulsando repetidamente **OK** (la duración del tiempo de repetición depende de la duración de alarma ajustada).



El símbolo de la campana se sigue mostrando en la pantalla si la repetición de la alarma está configurada como **Diaria, Fin de semana o Días laborables**.



Si quieres desactivar completamente el despertador, selecciona **Despertador > Desactivar** en el menú del despertador correspondiente.



El volumen del tono de alarma aumenta con el tiempo hasta el valor máximo ajustado.

11 Ajustes del sistema

Todos los ajustes del sistema aparecen en el submenú **Sistema**.

- > Abre el **MENÚ** manteniendo pulsado el botón **MENÚ/INFO** y selecciona la entrada **[Sistema]** con los botones **<, >**. **Pulsa** el botón **OK**.
- > Este procedimiento se supone para los ajustes que se describen a continuación.

11.1 Ajustes de fecha y hora

- > En el submenú **[Sistema]**, utiliza los botones **<, >** para seleccionar la entrada **[Hora]**.
Pulsa el botón **OK**.

11.1.1 Ajustar hora/fecha manualmente

Dependiendo de la configuración de actualización de la hora (punto 11.1.2), deberás ajustar la hora y la fecha manualmente.

- > En el submenú **[Hora]**, utiliza los botones **<**, **>** **para seleccionar** la entrada **[Configurar hora/fecha]**. Pulsa el botón **OK**.
- > Los primeros dígitos (horas) de la hora parpadean y se pueden cambiar con el botón **<**, **>** se puede cambiar.
- > Pulsa el botón **OK** para aceptar el ajuste.
- > Los siguientes dígitos (minutos) de la hora parpadean y también se pueden cambiar como se ha descrito anteriormente.
- > Después de cada ajuste adicional, pulsa el botón **OK** para pasar al siguiente ajuste.
- > Procede como se ha descrito anteriormente para la fecha.
- > Una vez realizados todos los ajustes y **OK**

aparece [**Guardado**] en la pantalla.

11.12 Actualización horaria

En este submenú, puedes especificar si la actualización de la hora debe realizarse automáticamente a través de DAB+ o FM (FM) o si quieres introducirla manualmente (punto 11.1.1).

- > En el submenú **[Hora]**, utiliza los botones <, > para seleccionar la opción **[Auto. Actualizar]**. Pulsa el botón **OK**.
- > Utiliza los botones <, > para seleccionar las siguientes opciones:
 - [Actualizar todo] (actualizar a través de DAB+ y FM)** **[Actualizar desde DAB]** (actualizar sólo a través de DAB+) **[Actualizar desde FM]** (actualizar sólo a través de FM)
 - [Sin actualización]** (la hora/fecha debe introducirse manualmente, véase el punto 11.1.1).
- > Pulsa el botón **OK** para guardar la configuración.

11.1.3 Ajustar el formato de la hora

En el submenú **Establecer 12/24 horas**, puedes activar el formato de 12 ó 24 horas.

- > En el submenú **[Hora]**, utiliza los botones **<, >** para seleccionar la entrada **[Establecer 12/24 horas]**. Pulsa el botón **OK**.
- > Utiliza **<, >** para seleccionar una de las siguientes opciones:
 - [Fija 24 horas]**
 - [Fijar 12 horas]**
- > Pulsa el botón **OK** para guardar.

11.1.4 Establecer formato de fecha

En el submenú **Establecer formato de fecha**, puedes especificar el formato de visualización de la fecha.

- > En el submenú **[Hora]**, utiliza los botones **<, >** para seleccionar la entrada **[Establecer formato de fecha]**. Pulsa el botón **OK**.

- > Utiliza <, > para seleccionar una de las siguientes opciones:
 - [DD-MM-AAAA]** (día, mes, año)
 - [MM-DD-AAAA]** (mes, día, año)
- > Pulsa el botón **OK** para guardar.

11.2 Lengua

- > En el submenú **[Sistema]**, utiliza los botones <, > para seleccionar la entrada **[Idioma]**. Pulsa el botón **OK**.
- > Utiliza <, > para seleccionar uno de los idiomas disponibles y confirma tu selección pulsando el botón **OK**.

11.3 Ajuste de fábrica

Si cambias la ubicación del aparato, por ejemplo al mudarte de casa o de viaje, puede que ya no sea posible recibir las emisoras guardadas. En este caso, puedes borrar todas las emisoras guardadas restableciendo los **ajustes de fábrica** y, a continuación, iniciar una nueva búsqueda de emisoras.

- > En el submenú **[Sistema]**, utiliza los botones <, > para seleccionar la entrada **[Ajuste de fábrica]**. Pulsa el botón **OK**.
- > Utiliza <, > para seleccionar **[Sí]** para realizar el ajuste de fábrica y pulsa el botón **OK**.



Se borran todos los canales y ajustes guardados anteriormente. El aparato se encuentra ahora en los ajustes de fábrica.

- > La pantalla muestra **[Reiniciar...]** y el aparato inicia una búsqueda completa en modo DAB. Durante la búsqueda, la información de la pantalla muestra el progreso y el número de emisoras de radio digital encontradas. Una vez finalizada la búsqueda de emisoras, se reproduce el primer programa DAB+.

11.4 Versión SW

En Versión de SW puedes consultar la versión de SW instalada actualmente.

- > En el submenú **[Sistema]**, utiliza los botones **<**, **>** **para seleccionar** la entrada **[Versión SW]**. **Pulsa** el botón **OK**.
- > Se muestra la versión actual del SW.

12 Limpieza



Para evitar el riesgo de descarga eléctrica, no limpies el aparato con un paño húmedo o bajo el grifo. Desconecta la alimentación eléctrica y apaga el aparato antes de limpiarlo.



No utilices estropajos, polvos de fregar ni disolventes como alcohol o gasolina.



No utilices ninguna de las sustancias siguientes Agua salada, amoníaco insecticida, disolventes clorados o ácidos (amoníaco).



Limpija la carcasa con un paño suave humedecido con agua. No utilices alcoholes, diluyentes, etc., ya que podrían dañar la superficie del aparato.



Limpija la pantalla sólo con un paño suave de algodón. Si es necesario, utiliza un paño de algodón con pequeñas cantidades de agua jabonosa no alcalina diluida en agua o alcohol.



Frota suavemente el paño de algodón sobre la superficie.

13 Eliminar errores

Si el aparato no funciona como es debido, compruébalo utilizando la tabla siguiente.

Síntoma	Posible causa/remedio
No se puede encender el aparato.	El aparato no recibe alimentación. Conecta correctamente la fuente de alimentación al aparato. Carga la batería.

Síntoma	Posible causa/remedio
No se oye ningún sonido.	Aumenta el volumen.
La recepción por DAB+/FM es mala.	Cambia la posición de la antena o de la radio digital.
Mala conexión Bluetooth y caídas	No superes el alcance máximo de 10 m mediante Bluetooth.

Si sigues sin poder subsanar la avería tras las comprobaciones descritas, ponte en contacto con la línea de asistencia técnica.

14 Datos técnicos

Camino de recepción	DAB+, FM, Bluetooth, AUX
Fuente de alimentación	Fuente de alimentación USB externa (mín. 5 V, 500 mA) Batería de iones de litio integrada 2000mAh, 3,7 V
Frecuencias	FM: 87,5-108 MHz DAB+: 174-240 MHz Bluetooth V5.0: 2402-2480 MHz Potencia de transmisión: 4 dBm
Rendimiento de la batería	Aprox. 9 horas de funcionamiento (2/3 de volumen) 3,5 horas de tiempo de carga
Interpretación musical	6 W RMS
Temperatura de trabajo	0 °C ~ 40 °C
Condiciones de almacenamiento	0°C ~ 35°C / 40-75 % Relat. Humedad de la escotilla

Peso	390 g
------	-------

Dimensiones (AnxPxAl)	18 x 8,2 x 6,6 cm
-----------------------	-------------------

Salvo cambios técnicos y errores.

Translated with DeepL